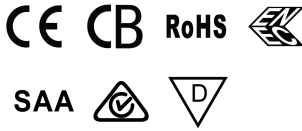


SIGNATURE
LED LIGHTING



Specifications - VIRGIL HiRack LED Linear Light

Electrical Information							
Model No.	SLLVHRL/30	SLLVHRL/60	SLLVHRL/90	SLLVHRL/120	SLLVHRL/150	SLLVHRL/180	SLLVHRL/240
Power Consumption(±5%)	30W(±10%)	60W	90W	120W	150W	180W	240W
Power Supply	MEAN WELL						
Input Voltage	100-240 VAC / 100-277 VAC, 50 / 60 Hz						
Power Factor	≥0.92						
Surge Protection	2kV line-line, 4kV line-earth						
Driver Type	Constant Current (CC)						
Control	Dimmable, DALI, Daylight Sensor, Microwave Sensor, PIR Sensor						
	Emergency Control, Zigbee Wireless Control						

Optic Information							
LED Type	LED 3030						
Luminous Flux (±10%)	4200LM	8400LM	12600LM	16800LM	21000LM	25200LM	33600LM
Efficacy(5000K Ra70)	140lm/W						
Correlated Color Temperature	5000K (3000K, 4000K optional)						
Color Rendering Index	Ra70 (Ra80 optional)						
Beam Angle	/VOL/60/90, /VOL/30/7, /VOL/120, /VOL/40/130, /VOL/90						
UGR level	N/A						

Description

Our Virgil Hi Rack LED linear high bay is perfect lighting for aisles in warehouse. Asymmetric optic lens adapts to narrow aisle very well between high shelves. The rectangular light pattern perfectly matches with aisles, which can effectively reduce light loss. And it also can provide intelligent lighting solutions by adding DALI, Zigbee, PIR sensor, motion sensor and daylight harvesting sensor and emergency etc.

Key Features

- VIRGIL 30W/60W/90W/120W/ 150W/180W/240W; 135lm/W and 165lm/W for optional;
- Optimized Virgil 50W/100W/150W/200W; 130lm/W
- Modular design and excellent performance
- IP65, IK10.
- Long and narrow pattern not only contribute to lighting lux level but also the best uniformity.
- 5 types of beam angle, meet most of the project requirement.
- Lens can be replaced easily, better for stock.
- Multiple mounting options (Suspension mount, Adjustable surface mount).
- Intelligent control for energy saving.

Applications

- Indoor and outdoor high ceiling application
- Warehouse
- Factory
- Industrial facility
- Chemical Facilities
- Exhibition centers
- Shopping malls
- Stadiums

Dimensions and Mount

Product Dimension	280×137×10 2mm	486×137×10 2mm	718×137×10 2mm	948×137×10 2mm	1178×137×1 02mm	718×275×10 2mm	948×275×102 mm
Luminaire Net Weight	1.9±0.3kg	3.4±0.3kg	4.7±0.3kg	5.7±0.3kg	6.9±0.3kg	8.7±0.3kg	10.6±0.3kg
Export Carton Size	350×200×16 0mm	555×200×16 0mm	790×200×16 0mm	1020×200×1 60mm	1250×200×1 60mm	790×338×16 0mm	1020×338×160 mm
Gross Weight	2.3±0.3kg	4.0±0.3kg	5.3±0.3kg	6.5±0.3kg	8.0±0.3kg	9.8±0.3kg	11.9±0.3kg
Mounting Option	Suspension Mounting Ceiling Mounting						
Material	Aluminum Alloy Polycarbonate Optical Lens						
Finish	Electrophoresis and Powder Coating						
Fixture Color	Black Body, Red or Black End Cap						
EPA	NA						
IK Rating	IK10						
IP Rating	IP65						

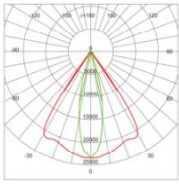
Lifespan and Warranty

Operating Temperature	-30°C to + 50°C
Life Time of LED @Ta=25°C	61000hrs-L90 136000hrs-L80 220000hrs-L70
Warranty	5 Years

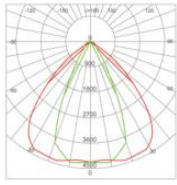
New Features

- 60deg, 90deg, fresnel lens available to reduce UGR.
- Built-in emergency battery.
- Linkable solution optional.

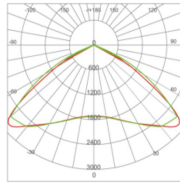
** Please consult us for details.*



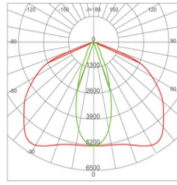
/VOL/60/90



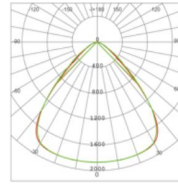
/VOL/30/70



/VOL/120



/VOL/40/130



/VOL/90

Mounting Options



Suspension mounting

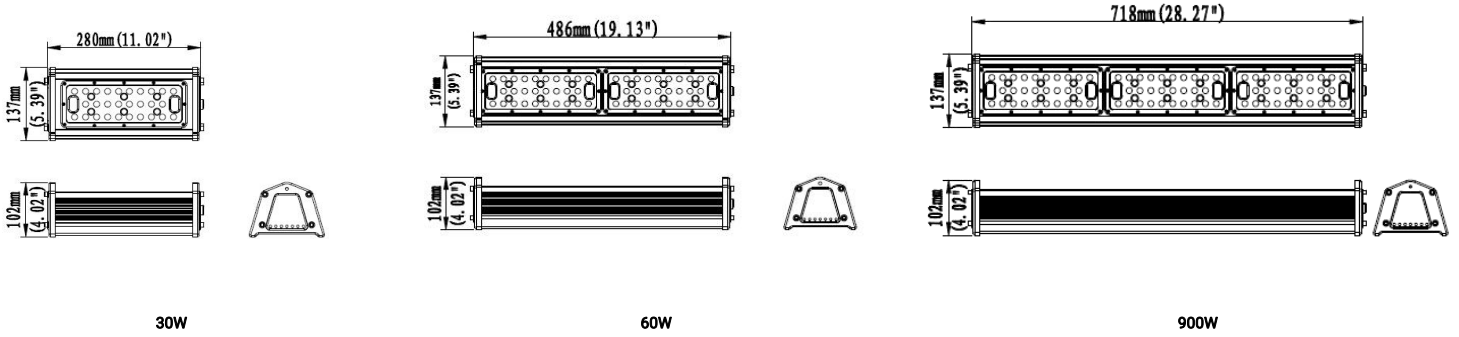


Ceiling mounting



±50deg adjustable
bracket mounting

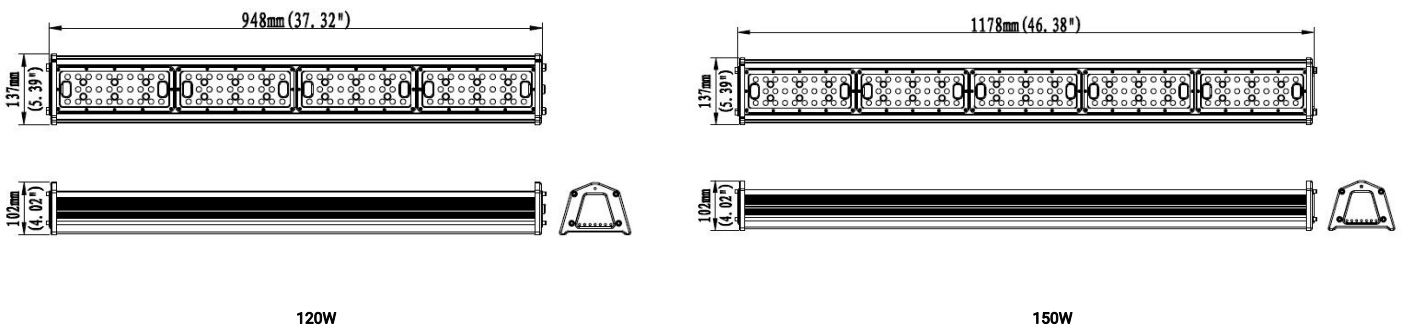
Dimensions



30W

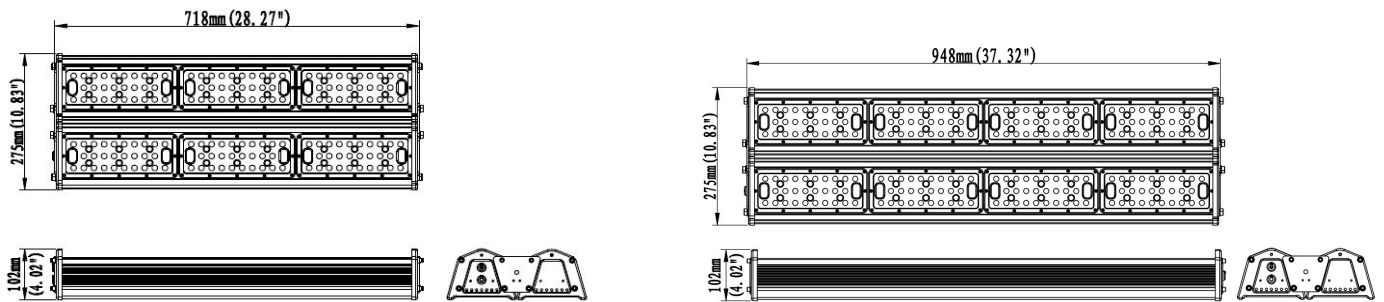
60W

90W



120W

150W



180W

240W



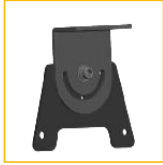
Ceiling mount bracket
Triangle shape, SPCC materials with powder coating.
Code: /VCMB/01 (30W-150W)



Ceiling mount bracket
Triangle shape, SPCC materials with powder coating.
Code: /VCMB/02 (180W-240W)



Safety Line
2m long stainless steel safety line.
Code: /VSL



±50° adjustable bracket
SPCC materials with powder coating.
Code: /VSB/01 (30W-150W)



±50° adjustable bracket
SPCC materials with powder coating.
Code: /VSB/02 (180W-240W)



Optic lens
High transmittance PC materials, UV test approval.
Code: please refer to Photometry for different beam angle.



Microwave motion sensor
120-277Vac input, IP65 rating, max detect height is 15m.
Remote control



PIR sensor
120-277Vac input, IP65 rating, max detect height is 15m.



Daylight sensor
1-10V DC input, IP20 rating, daylight Harvesting function.



Zigbee wireless control
1pcs for each luminaire.
Zigbee gateway
1pcs can control 100pcs fixtures.



Zigbee daylight sensor
An optional sensor control for Zigbee system, 100-277Vac input, IP65 rating.



Zigbee microwave motion sensor
An optional sensor control for Zigbee system, 100-277Vac input, IP65 rating.



SIGNATURE
LED LIGHTING