

AIFOL®

Product Manual

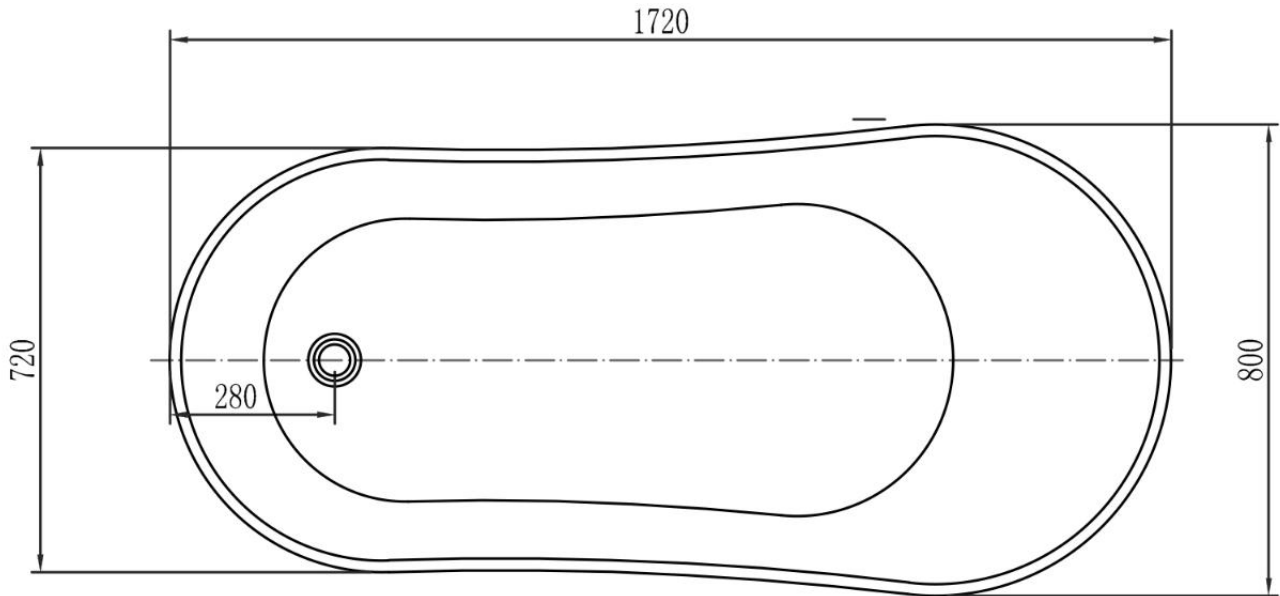
**[AIFOL
LIFE
RICH]**

Clawfoot Acrylic Bathtub

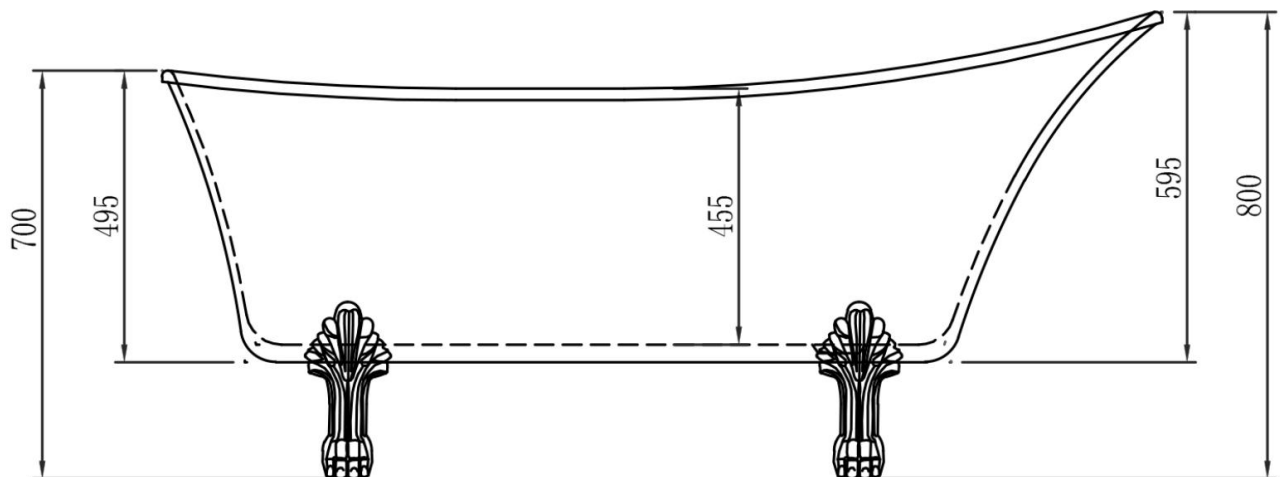
Model:BT-CB-1103

Clawfoot Bathtub

Top



Front



READ ALL INSTRUCTIONS BEFORE UNPACKING THE PRODUCT!

INSTRUCTIONS THAT, IF IGNORED COULD RESULT IN DEATH OR SERIOUS INJURY CAUSED BY INCORRECT HANDLING OR INSTALLATION OF THE PRODUCT. THESE INSTRUCTIONS MUST BE OBSERVED FOR SAFE INSTALLATION.

NOTICE: Do not change or modify the product in any way. Doing so may compromise the products structural integrity and will void the warranty.

NOTICE: Installation instructions must be followed. Any diversions from the installations may risk property damage and will void the warranty.

NOTICE: When moving your tub, be sure to lift, never slide or pull, doing so may result in damage to the product or the surrounding area.

NOTICE: If you are unfamiliar with tub installation please consult a professional.

NOTICE: Due to weight of cast iron tubs, be sure that your floor structure can support the total weight of your filled tub.

CAUTION: AS CAST IRON TUBS ARE EXTREMELY HEAVY IS RECOMMENDED TO USE EXTERA PERSONEL FOR INSTALLATION.

CAUTION: AFTER INSTALLATION MAKE SURE THERE ARE NO LEAKS BY FILLING TUB WITH WATER AND DRAINING.

TOOLS:



PENCIL



LEVEL



DRILL



SABER SAW



MEASURING TAPE



PIPE WRENCH



JUSTABLE WRENCH



SILICONE



HACKSAW



FLATHEAD SCREWDRIVER



PHILLIPS SCREWDRIVER



PLUMBERS' PUTTY

NOTE:if feet are pre-installed continue to Tub installation Section

FEET INSTALLATION

Parts Included:

4x feet

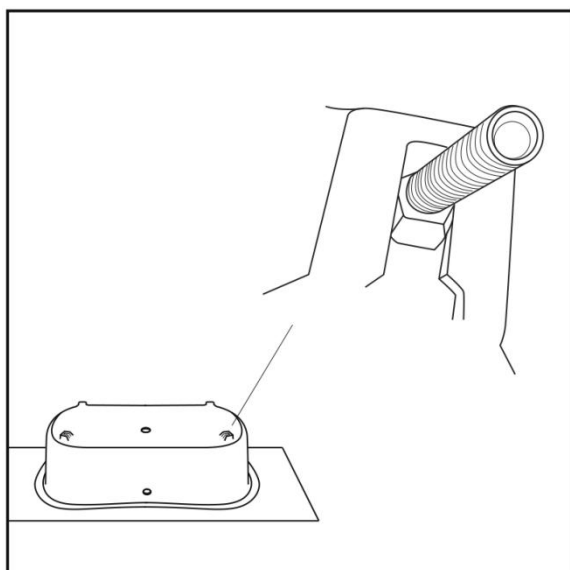
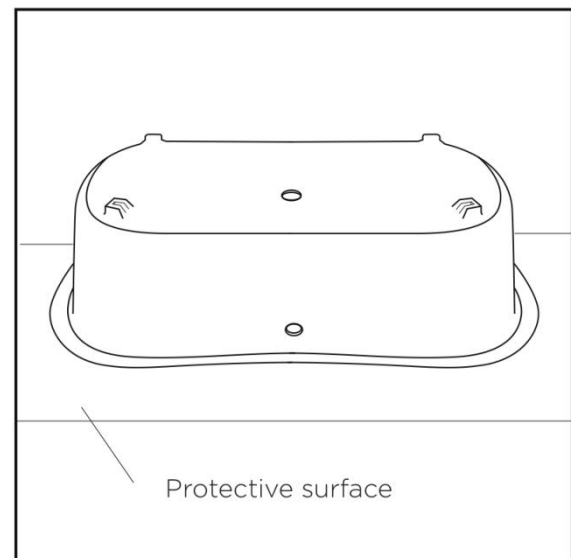
4x bolts

4x flat washes

4x split lock washed

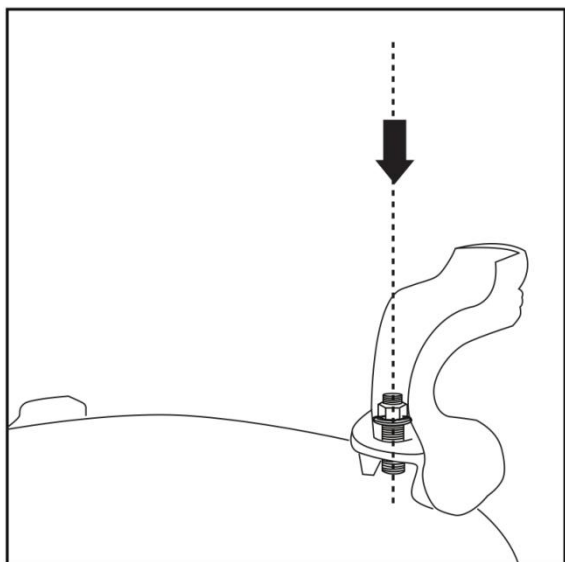
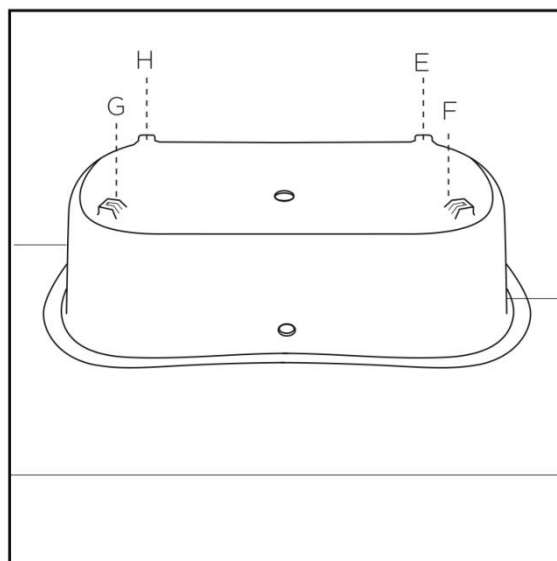
4x nuts

1. Remove the tub from packing and place upside down on a protective surface, such as a blanket or a mat. Insure that the bottom of the tub is clean and free of debris.



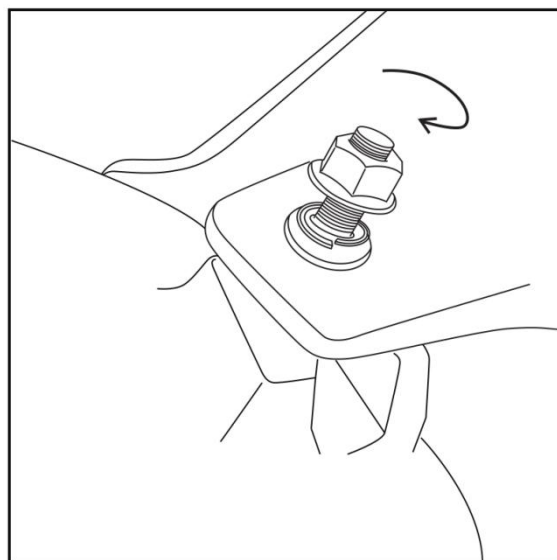
2. Slide the threaded bolts into the tub legs.

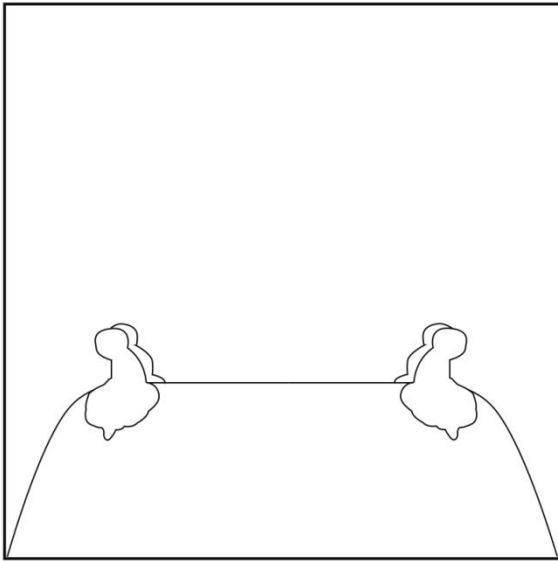
- Match the feet to the corresponding letters on the bottom of the tub (failure to do so will result in feet that do not line up to the tub properly).



- Taking the first foot, thread the bolt through, making sure to adjust the foot as need to light up properly to the tub.

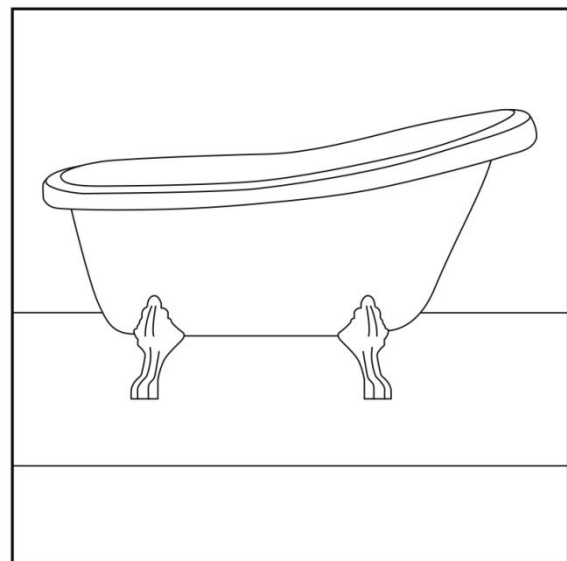
- Place the washer, split lock washer, and nut on the bolt in order and tighten the nut.





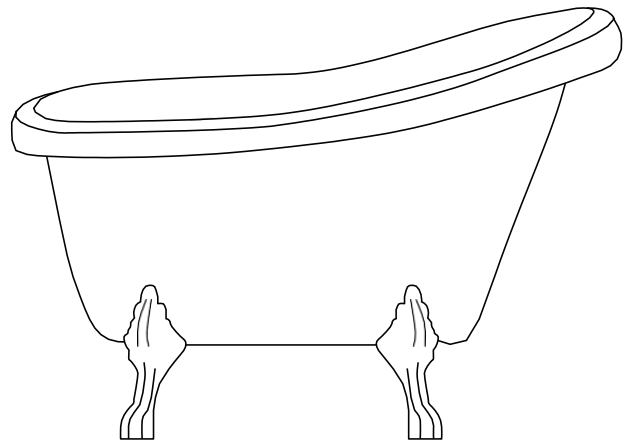
6. Repeat steps 5-6 until all feet are in place.

7. Carefully flip the tub upright and continue on to Tub Installation.



TUB INSTALLATION

1. Determine the location of the drain pipe on the floor by measuring the drain and waste location under the tub.(This is vary on each tub)
2. Carefully set the tub into position and connect the pre-installed drain to the waste water pipe.
3. Fill the tub to check for any leaks in waste connections below.(access below the floor will be necessary)
4. For faucet installation consult the manufacture's instructions.



AIFOL INCLUDES HIGH QUALITY BATHTUB DRAIN& PIPE

- ◆ Features: Anti-leakage Design and anti-odor Design
- ◆ Bug cover design to ground drain pipe
- ◆ Tough durable material, endure high temperature. Anti-aging, Anti-corrosion
- ◆ No toxic environmental anti-crack in cold Weather

IMPORTANT SAFETY RULES:

ATTENTION! ALWAYS FOLLOW THESE PRECAUTIONS WHEN USING A BATHTUB

- ◆ Warning The bathtub must be installed and used as described in this manual
- ◆ Warning Use caution when entering or exiting the bathtub
- ◆ Warning Do not permit children or persons with infirmities to use the bathtub without supervision of an adult
- ◆ Warning People using any medications or having adverse medical history must consult a physician prior to use of the bathtub to avoid potential hyperthermia and possible drowning
- ◆ Warning Water temperature over 100°F may cause hyperthermia and/ or other health problems. Check water temperature and adjust it for your personal comfort
- ◆ Warning Never use bathtub while intoxicated, after taking meals or any alcoholic beverages. Consuming alcoholic beverages before or during bathing will cause drowsiness and may result in hyperthermia, loss of consciousness, or even drowning
- ◆ Warning If you are pregnant or you feel that you are may be pregnant, consult your doctor before using the bathtub
- ◆ Warning Never use any electrical devices such as hair dryer lamp telephone tv, radio or others within 5 feet of the bathtub
- ◆ Warning Do not overfill the bathtub before entering. Entering the bathtub when filled will cause overflow and slippery conditions. Use extreme caution when entering and exiting

CARE AND CLEANING:

- ◆ Most dirt will wash off with mild soap and warm water
- ◆ For tough spots, use liquid dish washing soap or non-chlorine bleach
- ◆ Do not use abrasive material such steel wool or scouring pads to clean the acrylic surface
- ◆ Always test the cleaning solution on a small area before using it on the entire surface.
- ◆ Do not allow cleaning to soak on the acrylic surface.
- ◆ Rinse thoroughly with water immediately and wipe dry with soft cloth

REPAIR AND MAINTENANCE:

- ◆ Use liquid polish compound such as Gel-Gloss Kitchen and Bath Polish(TM)to keep the original shine of acrylic surface
- ◆ Light scratches can be removed with polishing compound for automobiles
- ◆ For deeper scratches use wet sandpaper(1500 grit or higher). Always add water when sanding and lightly sand the area larger than the scratch in a circular motion to remove the scratches. Repeat until the scratch is removed. Use soft cloth and small amount of polishing compound to restore shine. repeat as needed until surface shine is restored

IMPORTANT:

DO NOT USE: Abrasive cleaners such as: acid, ammonia, bleach, and similar solutions
Use of such solutions may cause corrosion, finish peeling, and/or dull the surface

DO NOT USE: Abrasive sponges or cloth. Never use steel, wool, or wired brushes that will permanently scratch the surface

Retain these installation instructions for future reference

For warranty information please check www.aifol.net

For customer service concerns or support please email:support@aifeiling.com