



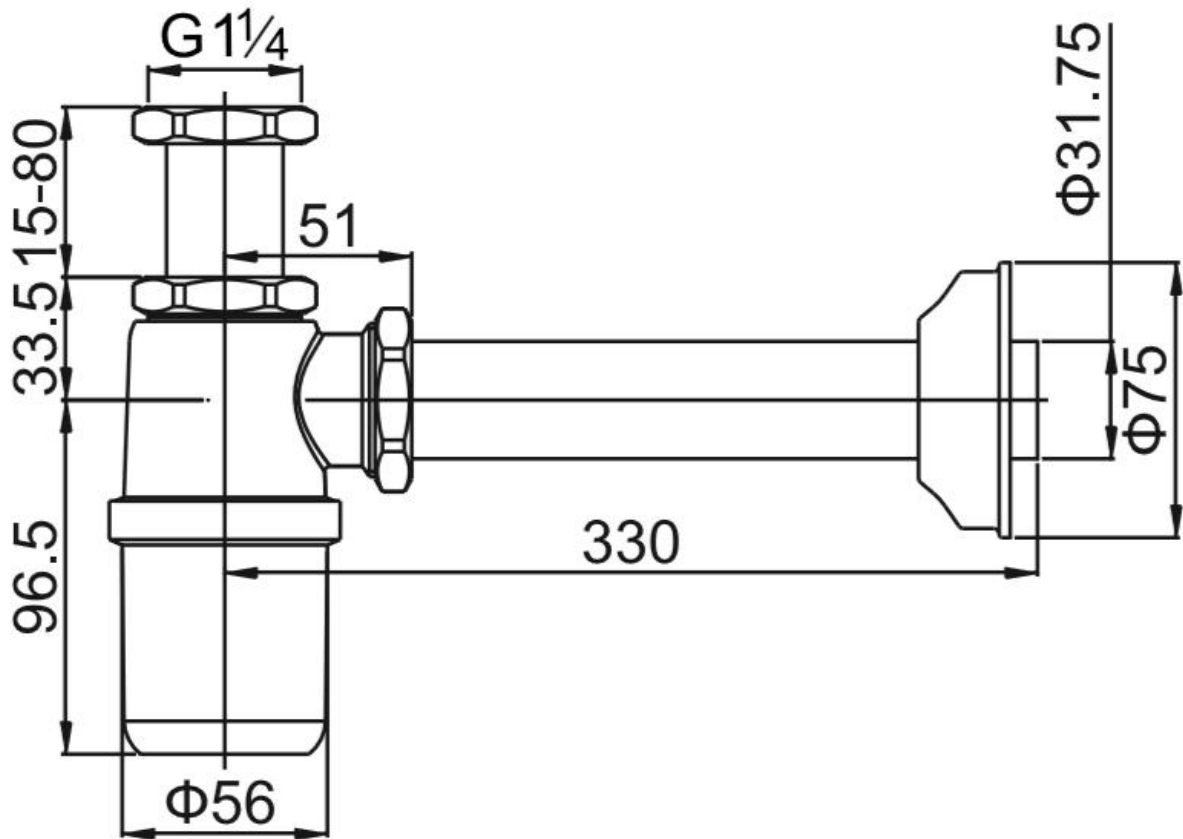
## Product Manual



## Sink Waste Trap

Model: BA-SWT-1513

Bottle Trap



**READ ALL INSTRUCTIONS BEFORE UNPACKING THE PRODUCT!**

NOTICE: Observe all local plumbing and building codes.

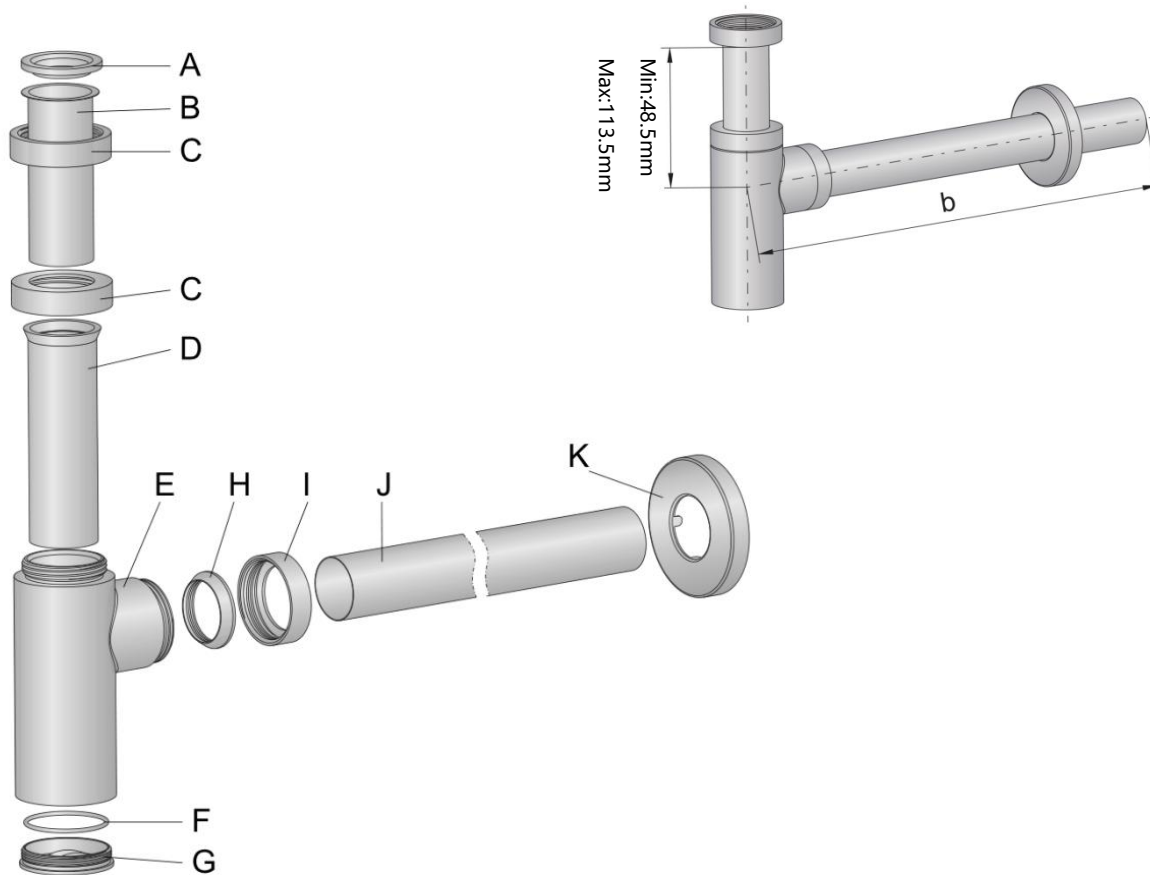
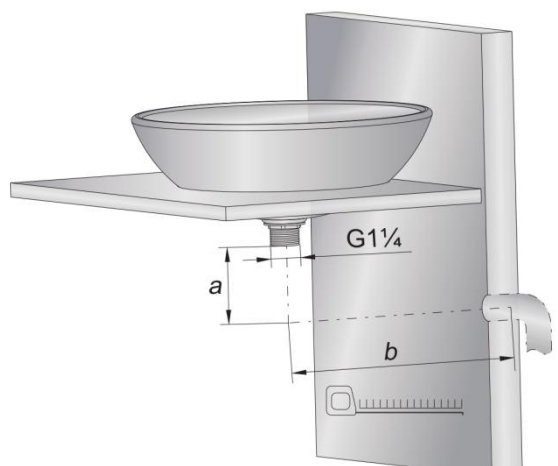
NOTICE: This is a general installation guideline, actual installation may vary. Consult a professional if necessary.

NOTICE: Product drawings in this installation guide is for illustration purpose only. Actual product may vary by models

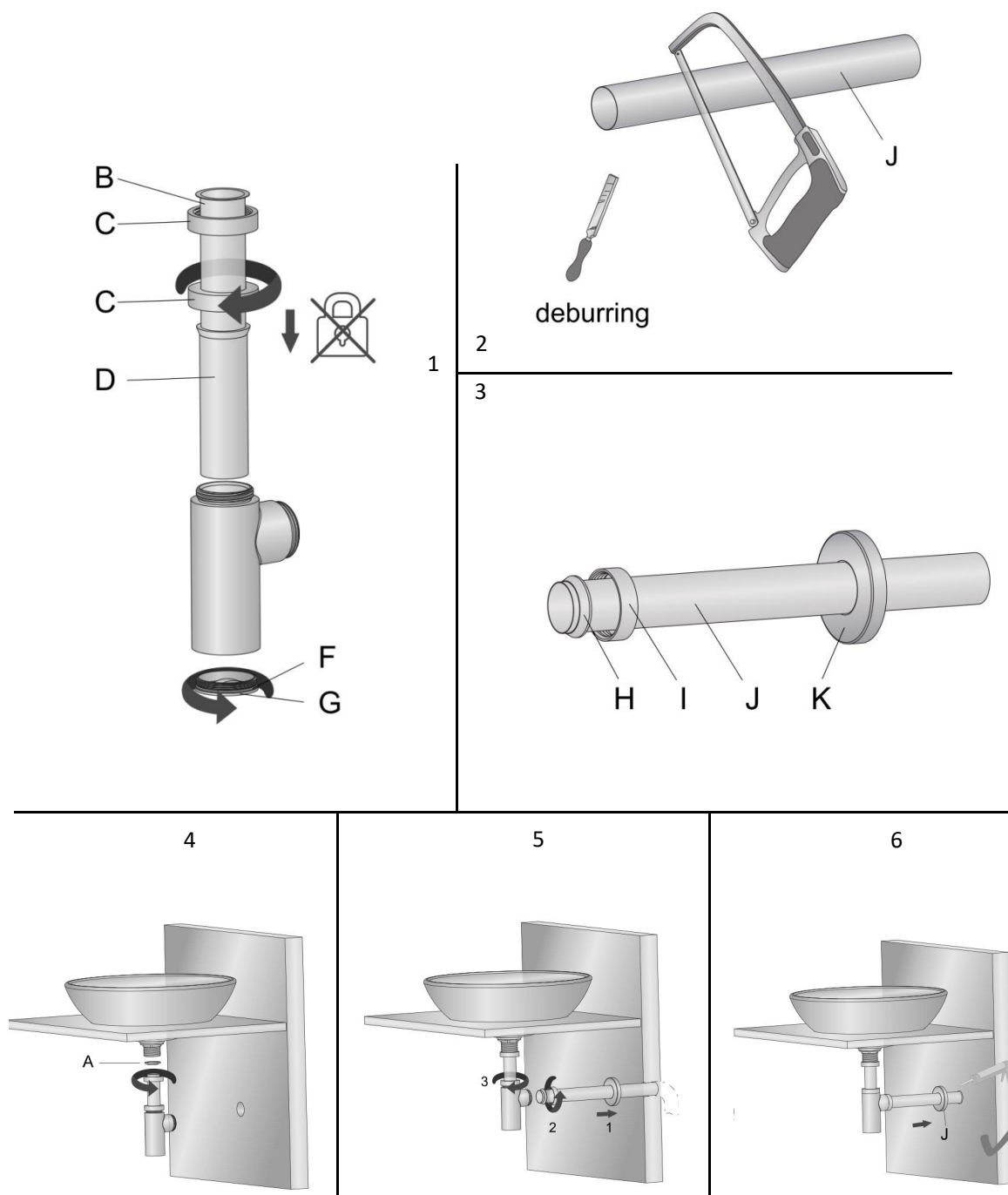
NOTICE: Read and understand this installation guide completely.

**PREPARE FOR INSTALLATION:**

Please check the image of the trap's detailed dimensions to make sure the trap fits for your basin or sink.



**INSTALLATION:**



**5 year limited warranty. For more warranty information please check [www.aifol.net](http://www.aifol.net)  
 For customer service concerns or support please email: [support@aifeiling.com](mailto:support@aifeiling.com)**