



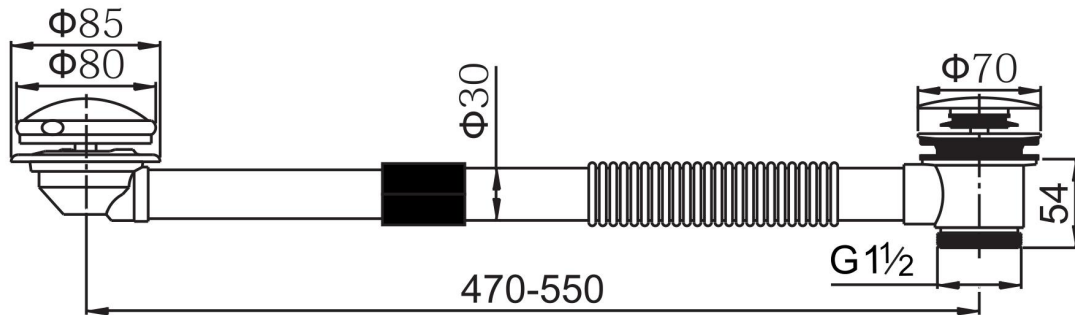
Product Manual



Bathtub Drain

Model: BA-SD-12960

Bathtub Drain

**READ ALL INSTRUCTIONS BEFORE UNPACKING THE PRODUCT!**

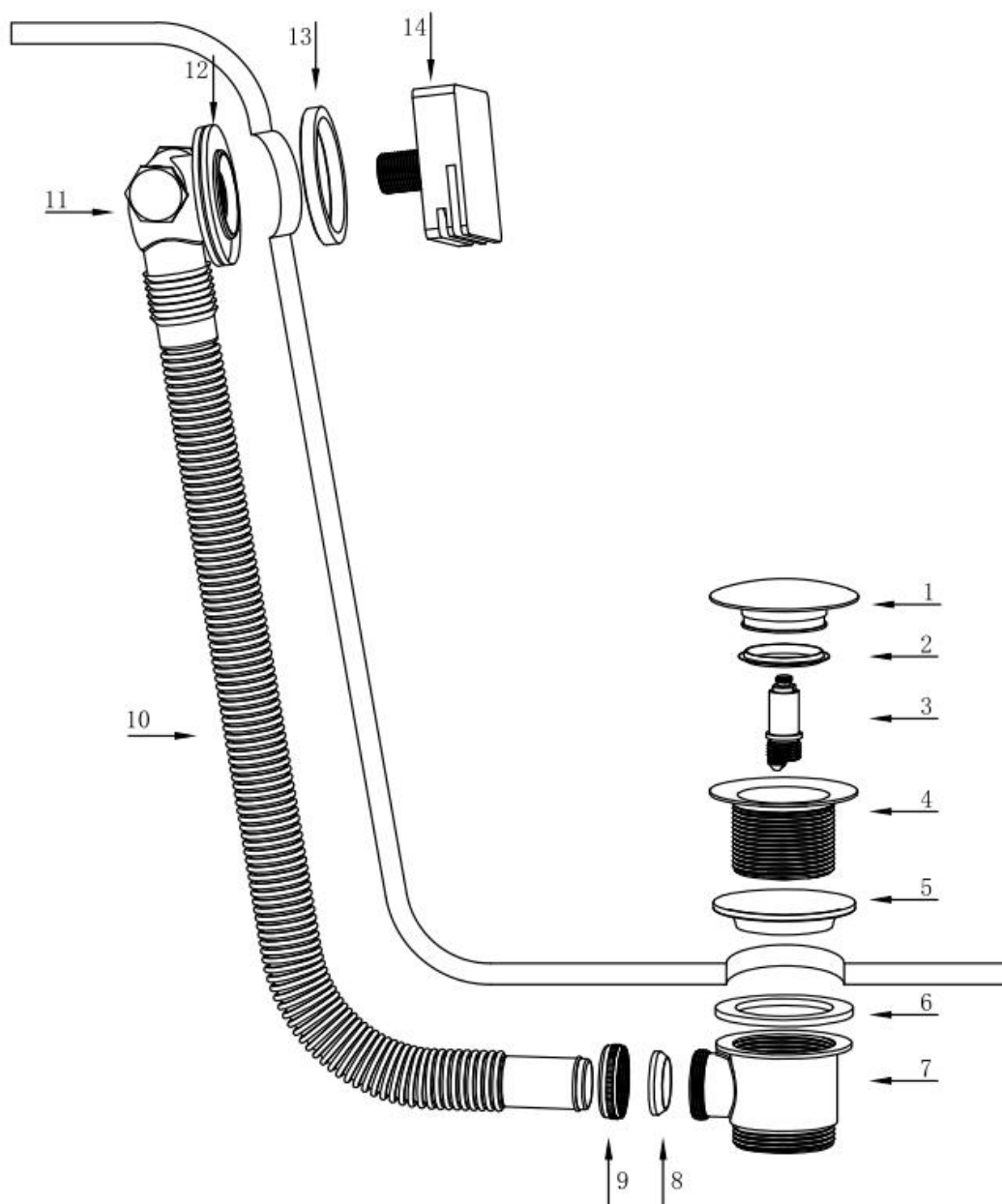
NOTICE: Observe all local plumbing and building codes.

NOTICE: This is a general installation guideline, actual installation may vary. Consult a professional if necessary.

NOTICE: Product drawings in this installation guide is for illustration purpose only. Actual product may vary by models

NOTICE: Read and understand this installation guide completely.

INSTALLATION DIAGRAM:



**5 year limited warranty. For more warranty information please check www.aifol.net
 For customer service concerns or support please email: support@aifeiling.com**