

# TECHNICAL DATA SHEET



AM



DM



YM



FM



IM



TM



NAME: LED Shoebox Light

P/N: S240WAT3ZA1

Note: The Letter Z in P/N stands for

AM: ADJUSTABLE FITTER MOUNTING

DM: DIRECT MOUNTING

YM: YOKE MOUNTING

FM: FLOOD MOUNTING

IM: INSERT MOUNTING

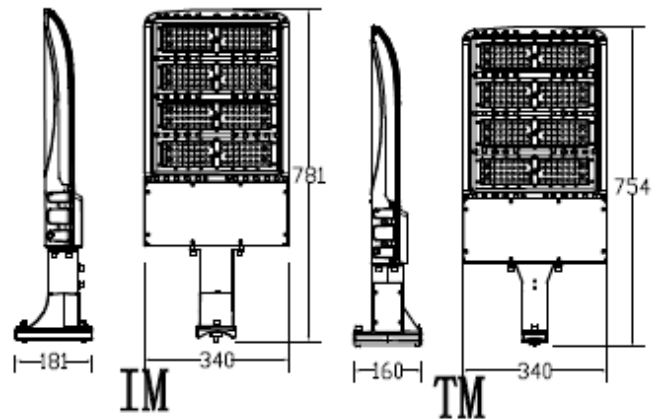
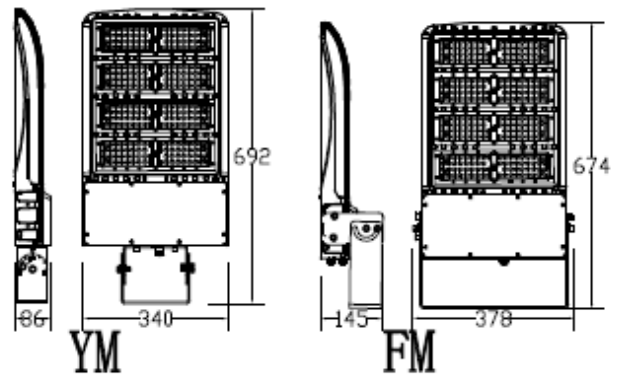
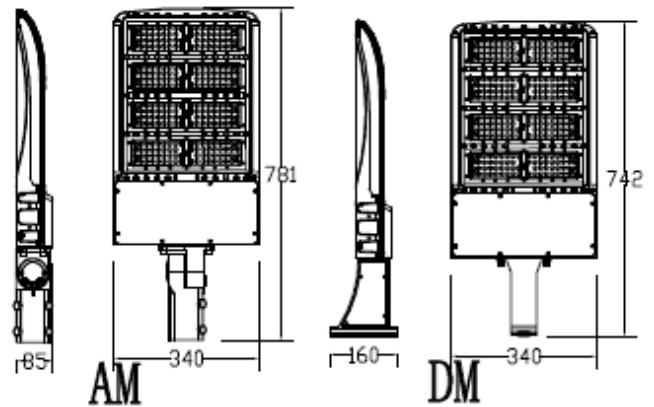
TM: TM MOUNTING

### Advantage:

- UL cUL DLC certificate
- LUMILEDS Chip, high CRI
- Mean Well IP65 driver, input voltage 100-277VAC
- No UV or IR in the beam
- Easy to install and operate
- Energy saving, long lifespan
- Light is soft and uniform, safe to eyes
- Instant start, NO flickering, NO humming
- Green and eco-friendly without mercury.

### Application:

- Outdoor basketball court, tennis court.
- Badminton court, the football field.
- The school playground, stadium.
- Community leisure entertainment plaza, road lamp etc.



# TECHNICAL DATA SHEET

## Product Specifications

Product name	LED ShoeBox Light					
Part No	S240WAT3ZA1					
Mounting Brackets	AM	DM	YM	FM	IM	TM
Dimension	781*340*85 MM	742*340*160 MM	692*340*86 MM	674*378*145 MM	781*340*181 MM	754*340*160 MM

## Technical Characteristic

Color temperature	3000K	3500K	4000K	5000K	5700K
CRI	>70				
Lumen	30000-33600LM				
Lumen Efficacy	125-140 LM/W				
Input Power	240W				
Viewing Angle	150*85 Degree (Type III)				
Input Voltage	100-277V 50/60Hz				
Driver model	HLG-240H-48B				
PF	>0.9				
Waterproof Rating	IP65				

## Materials

LED Brand	LUMILEDS
LED Type	LUXEON 3030 2D (1.5W)
LED QTY	280PCS
Housing	Aluminum Alloy
Housing color	Black
Optional Accessory	Photocell / Surge protector / Motion sensor
Operating Temperature	-20°C TO 45°C
Operating Humidity	20%-90% RH
Storage Temperature	-30°C TO 80°C

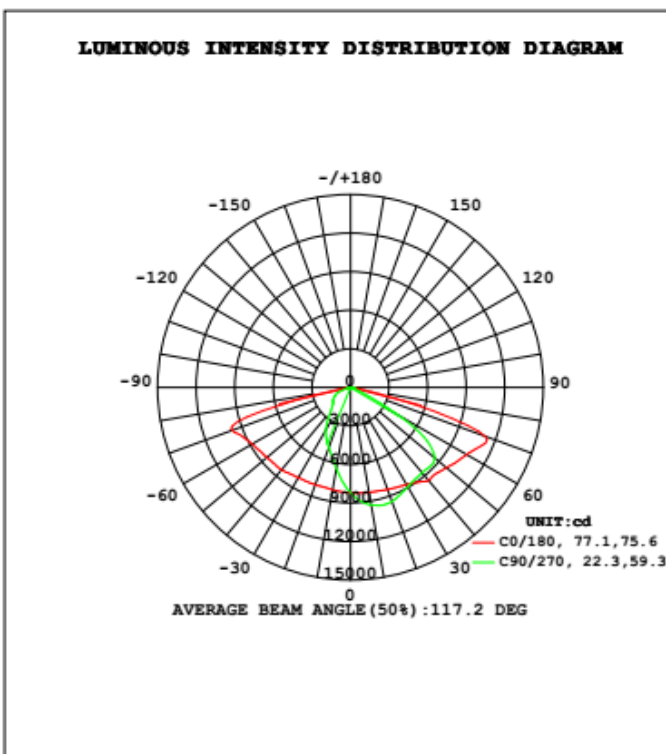
## Others

Storage Humidity	10%-95%
Application	Outdoor
Safety Certification	UL、cUL、DLC
Warranty Time	5 Years

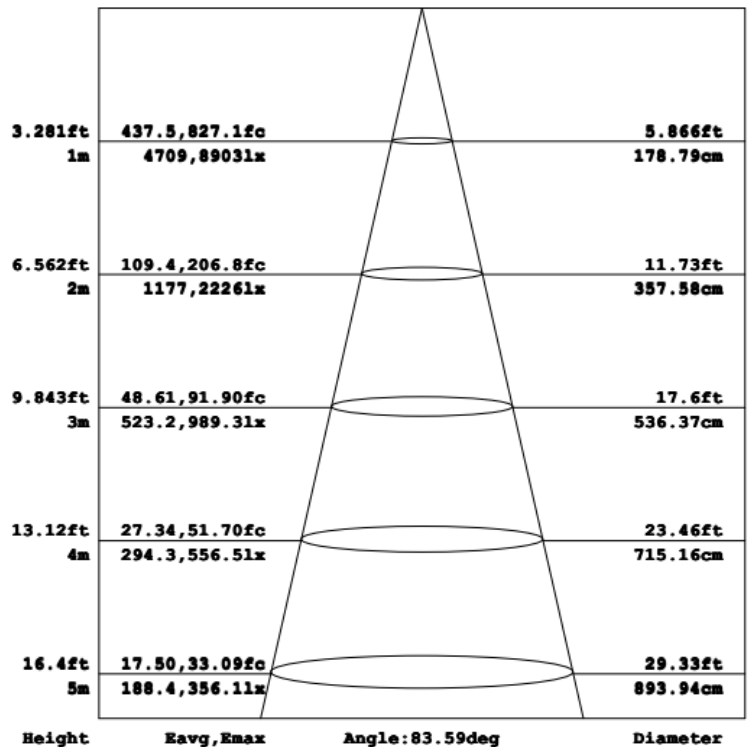
# TECHNICAL DATA SHEET

## Light Distribution Testing Parameters

DATA OF LAMP		PHOTOMETRIC DATA <span style="float: right;">Eff: 128.22 lm/W</span>			
		Imax (cd)	15127	S/MH (C0/180)	1.55
NOMINAL POWER (W)	240	LOR (%)	100.0	S/MH (C90/270)	0.74
RATED VOLTAGE (V)	120	TOTAL FLUX (lm)	31295	$\eta$ UP, DN (C0-180)	0.1, 68.2
NOMINAL FLUX (lm)	31295.1	CIE CLASS	DIRECT	$\eta$ UP, DN (C180-360)	0.1, 31.6
LAMPS INSIDE	1	$\eta$ up (%)	0.2	CIBSE SHR NOM	1.50
TEST VOLTAGE (V)	120.0	$\eta$ down (%)	99.8	CIBSE SHR MAX	1.50



Flux out: 11993 lm

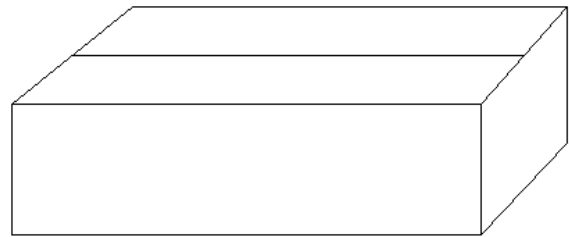
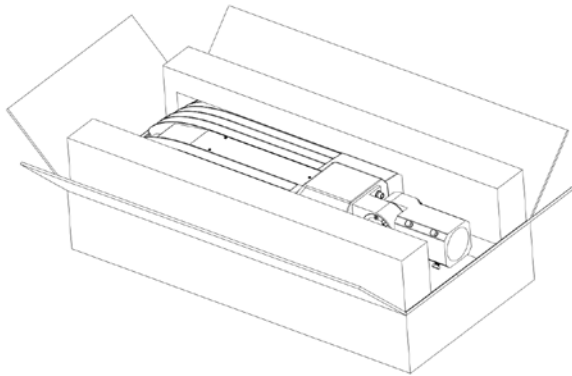


Note: The Curves indicate the illuminated area and the average illumination when the luminaire is at different distance.

# TECHNICAL DATA SHEET

## Package

	Lamps Net Weight	Regular size	Photocell / Motion sensor size	Qty/ Carton	Weight/ Carton
AM	10.8KG	820*390*145 MM	820*390*185MM	1	12.9KG
DM	9.7KG	820*390*145 MM	820*390*185MM	1	11.6KG
YM	9.6KG	820*390*145 MM	820*390*185MM	1	11.7KG
FM	10.8KG	605*390*175MM	610*393*194MM	1	12.5KG
IM	10.3KG	820*390*145 MM	820*390*185MM	1	12.2kg
TM	9.8KG	820*390*145 MM	820*390*185MM	1	11.7kg



## Notice For User

- ◆ Please turn off power before install or change assembly parts.
- ◆ The input voltage and lamps should be matched, after connecting the power line, Please make sure the wiring section is insulated.
- ◆ No-professionals, must not install and disassemble the lamps.

## Trouble Shootings

Troubles	Check points
Flickering of the light	Turn off the power and turn on again in 3 minutes. If same phenomena occur, then call agencies
Out of working	Please check the connection