

## SL- 200W STREET LIGHT/ HIGH POLE LIGHT

Versatile LED Street light fixture with a 135 lumen per watt plus output is one of the most cost effective streets /high pole mount light on the market today. Comes Optional 1-10v dimmable/ photocell Sensor.



### Technical Parameters

Fixture housing	Aluminum + Optical PC Lens
Fixture Color	Bronze/ Grey (standart), Black
Mounting Arm	Slip fitter pole mount
Application projects	outdoor Roadways, high pole, Parking area, Corridors, Security, Sports ground, Stadium, plaza etc. outdoor area lighting projects.
Certificates	Approved UL&CUL( # E476588), DLC4.3, FCC, CE, RoHS
Warranty	5 Years

### Electrical Parameters

ITEM	200W
Power Consumption	203W
LED Source	PHILIPS SMD3030 LED
Input Voltage Range	100-277VAC/ 347VAC
Frequency Range	50/60Hz
Power Factor	>0.95
THD	<12%
Power line	UL SJTW 3G18AWG

# SL- 200W STREET LIGHT/ HIGH POLE LIGHT

Versatile LED Street light fixture with a 135 lumen per watt plus output is one of the most cost effective streets /high pole mount light on the market today. Comes Optional 1-10v dimmable/ photocell Sensor.

## Optical & Efficiency Parameters

Beam Angle	Type III(120x65°), Type IV(155x80°), Type V (90°)
Color Temperature	2700K--3200K, 4000K-4500K, 5000K-5500K, 5700K, 6000K-6500K
Lumen Efficiency	>135LM/W
Lumen Output	200W=27000lm
Color Rendering Index	CRI> 80Ra
IP Rating	IP66
IK Level	IK08
LED JT	< 69°C
Working Temperature	-25°C ~ +50°C
Humidity	10%~90%RH
Life-span (L70)	>55,000Hrs

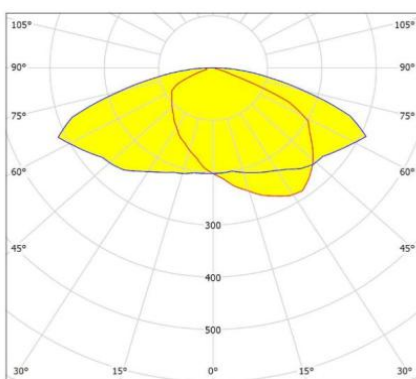
## Options

PIR motion sensor/ Microwave motion sensor  
Photocell Sensor (100-277VAC/347VAC)  
Finish color: Black/ Bronze/ Grey

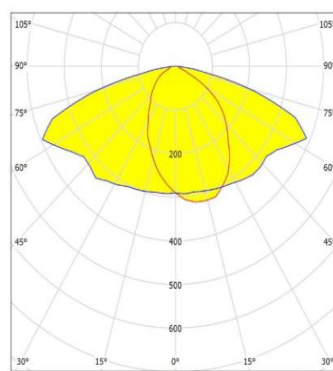
## Advantages

- ◆ Optional 1-10V dimmable, motion sensor functions
- ◆ High quality Aluminum Fixture, professional cooling design, better cooling LED Tj < 69°C.
- ◆ IP66 waterproof Rating
- ◆ Versatile- Flood or parking area etc. all kind of outdoor lighting projects
- ◆ Veriaty kinds mounting arms, suitable for difference poles mounting requirments.
- ◆ Special thermal design, reduce fixture weight and ensure good heat dissipation, lower luminous decay to extend life span of the leds.
- ◆ Anti-glare Lens, no UV, no IR, no mercury or other hazardous substances
- ◆ Very low rate of failure
- ◆ 5 years warranty
- ◆ Complete with a 10KA surge protector (100-277V) and 347V has built in input Surge protection 4KV line-line, 6KV line- earth

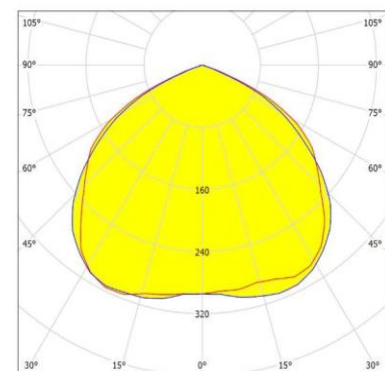
## Optical Lens Type



TYPE III



TYPE IV

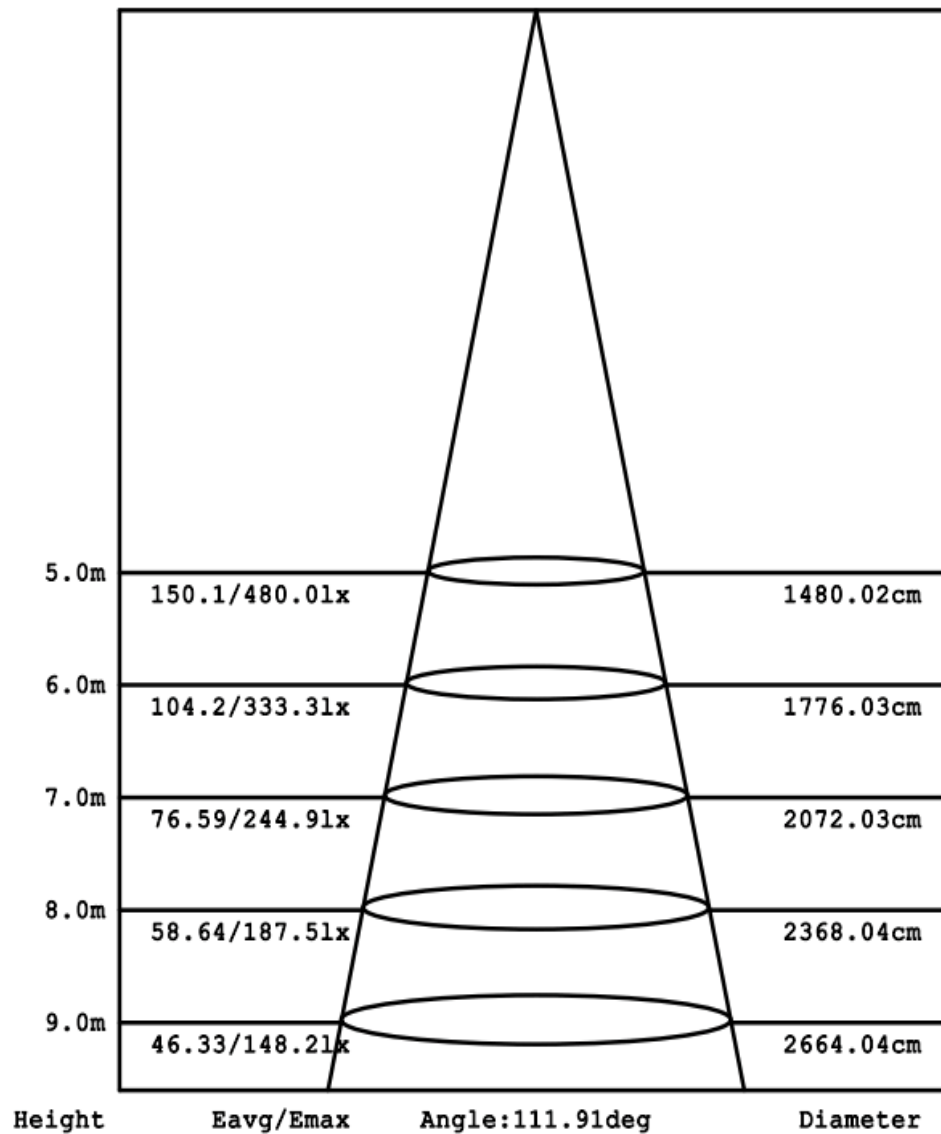


TYPE V

# SL- 200W STREET LIGHT/ HIGH POLE LIGHT

Versatile LED Street light fixture with a 135 lumen per watt plus output is one of the most cost effective streets /high pole mount light on the market today. Comes Optional 1-10v dimmable/ photocell Sensor.

## Photometrics



## Product Code Guide

ITEM CODE	WATTAGE	CCT	VOLTAGE
SL- STREET LIGHT	200W	40K- 4000K	110V
		50K-5000K	120V
		55K-5500K	100-277V
		60K-6000K	347V
		65K-6500K	

**SL - 200w - 40K/ 50K - 277V**

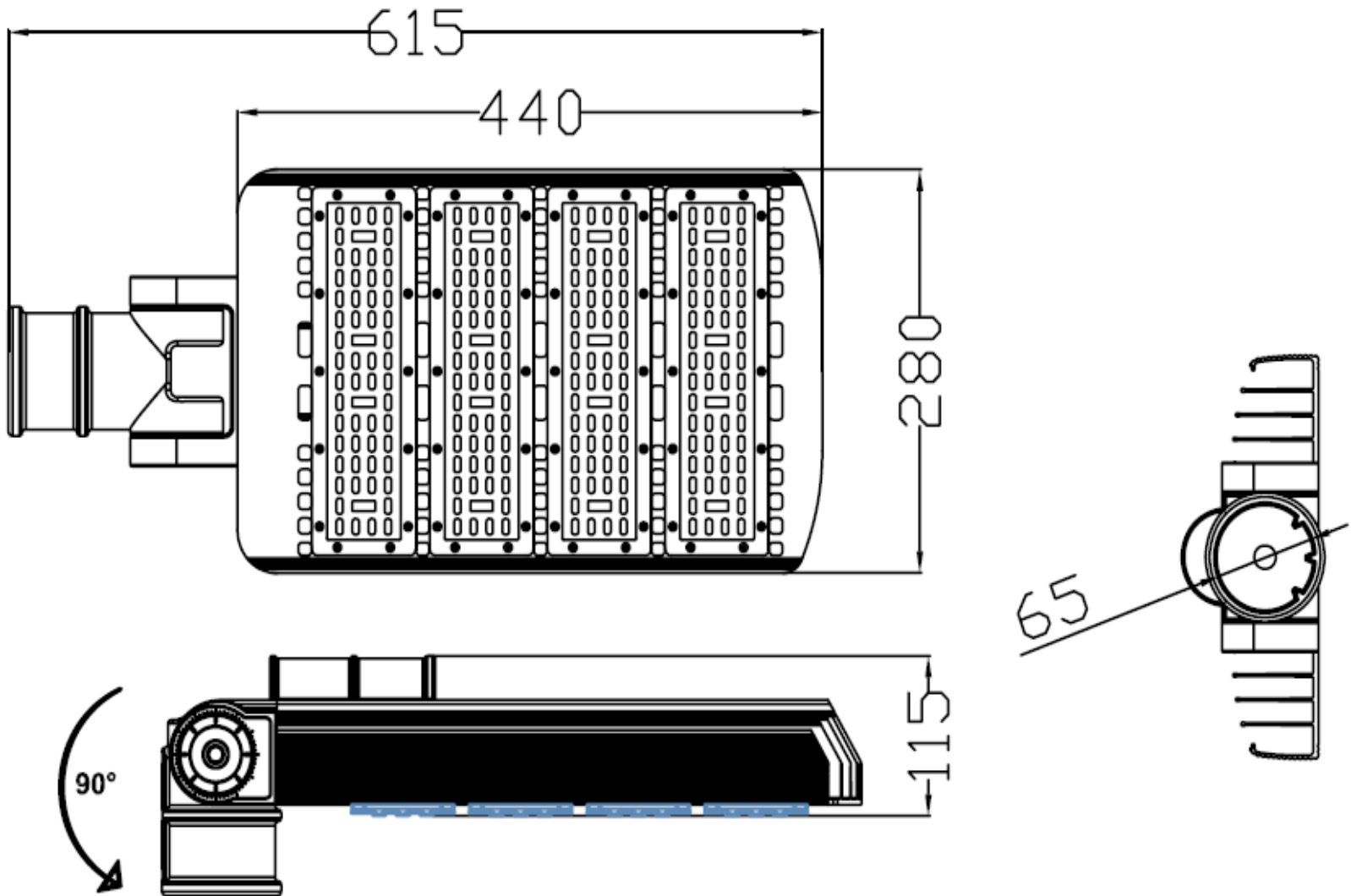
Item code                      Watts                      CCT                      Voltage

Example: SL-200W-40K ( LED Street Light , 200W, CCT 4000K, 100-277VAC)

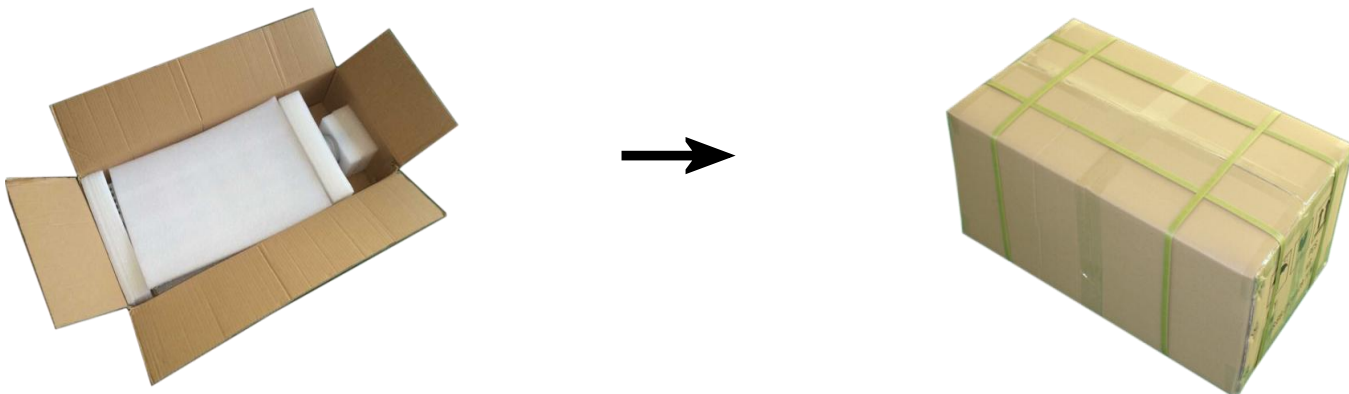
# SL- 200W STREET LIGHT/ HIGH POLE LIGHT

Versatile LED Street light fixture with a 135 lumen per watt plus output is one of the most cost effective streets /high pole mount light on the market today. Comes Optional 1-10v dimmable/ photocell Sensor.

## Fixture Dimensions



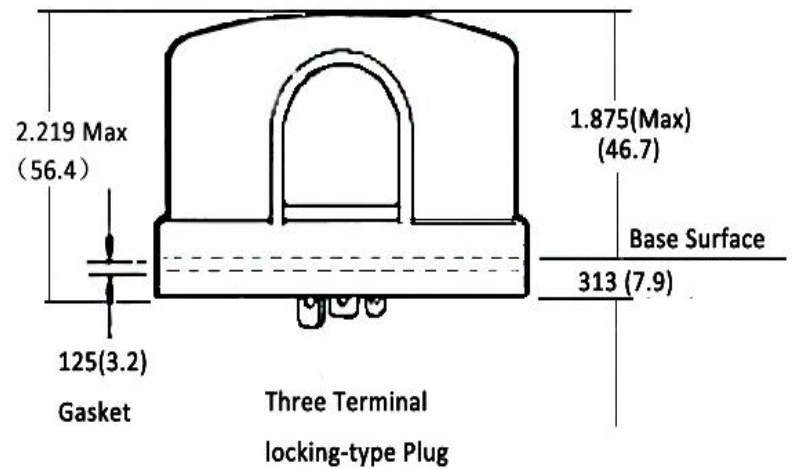
## Packing Details



# SL- 200W STREET LIGHT/ HIGH POLE LIGHT

Versatile LED Street light fixture with a 135 lumen per watt plus output is one of the most cost effective streets /high pole mount light on the market today. Comes Optional 1-10v dimmable/ photocell Sensor.

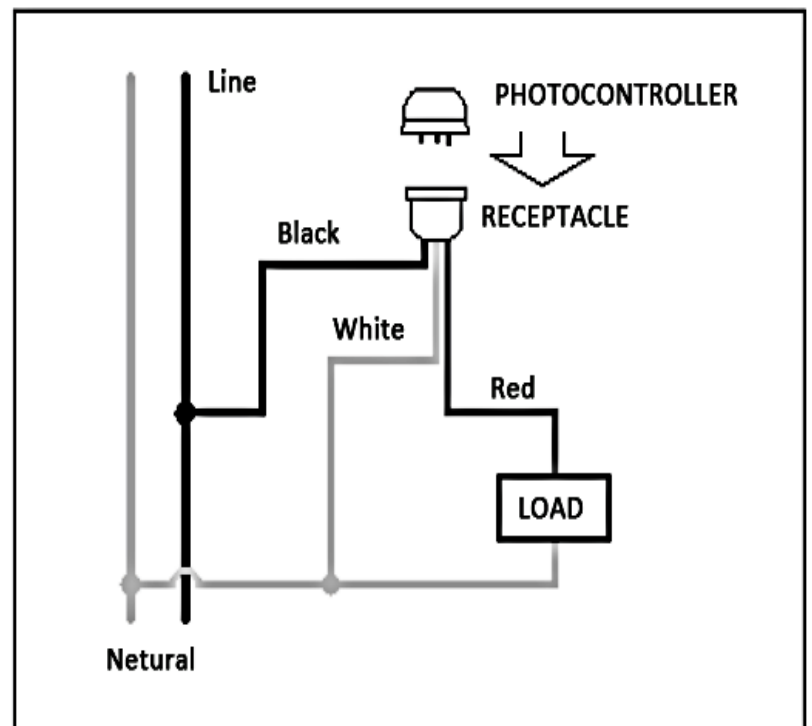
## PHOTOCELL CONTROLLER



- Rated Voltage:** 120-277VAC
- Applicable Voltage:** 105-305VAC
- Rated Frequency:** 50/60HZ
- Rated Loading:** 1000W Tungsten, 1800VA Ballast
- Power Consumption:** 0.5W
- Typical On/Off Level:** 16Lx On/ 24Lx Off
- Ambient Temp.:** -40°C ~ +70°C
- Relative Humidity:** 99%/ 100% ( IP67 )
- Overall Size:** 84 (Dia.) X 66mm

## Photocell Sensor Installation

Disconnect power; Wire the receptacle according to the diagram in right hand, Push the photocontroller on and twist it clockwise to lock it into the receptacle. Install the photocontroller with the Photocell facing the NORTH direction as indicated on the top of the photocontroller. Adjust the receptacle position if necessary

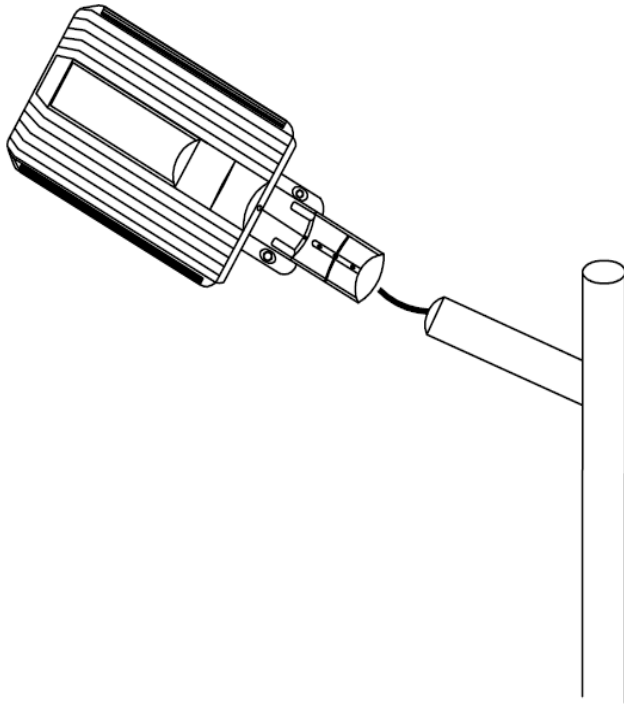


# SL- 200W STREET LIGHT/ HIGH POLE LIGHT

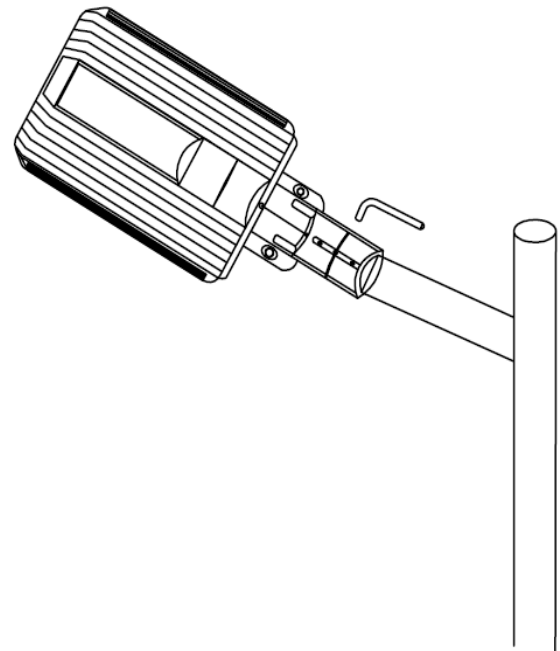
Versatile LED Street light fixture with a 135 lumen per watt plus output is one of the most cost effective streets /high pole mount light on the market today. Comes Optional 1-10v dimmable/ photocell Sensor.

## Mounting Instructions

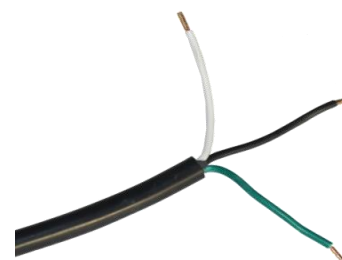
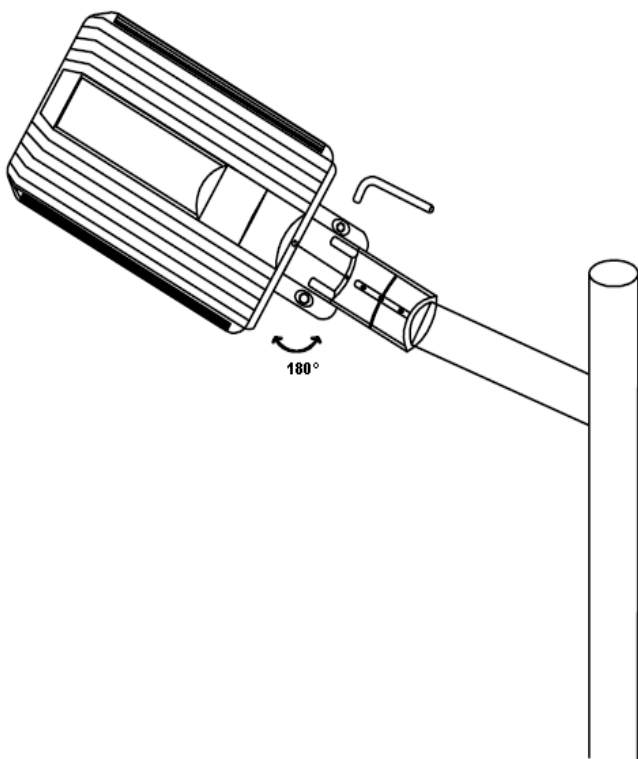
**Step 1** Connect the Driver's output voltage wires to AC power



**Step 2** After finished wires connection, put the lamp's arm onto round pole pipe



**Step 3** Loosen the screws to adjust the viewing angle, then fix well the screws.



The Black line is "L",  
the White line is "N",  
the Green line is "Ground".

### Cautions:

1. The LED product must be installed by professional person according to the electrical wiring schematics.
2. Please check whether the voltage of the circuitry is in the range of the working voltage of the LED product.
3. Please do not open any hole or mold on the existing wiring when installing the product.