

TECHNICAL DATA SHEET



AM



DM



YM



FM



IM



TM

NAME: LED ShoeBox Light

P/N: S150HLT3YA1

Note: The Letter Y in P/N stands for

AM: ADJUSTABLE FITTER MOUNTING

DM: DIRECT MOUNTING

YM: YOKE MOUNTING

FM: FLOOD MOUNTING

IM: INSERT MOUNTING

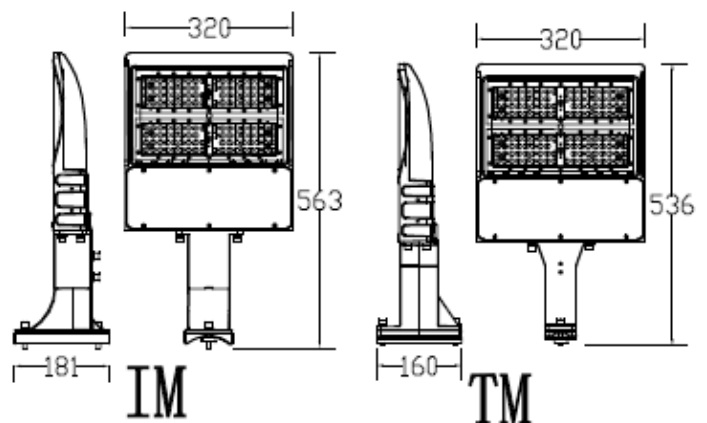
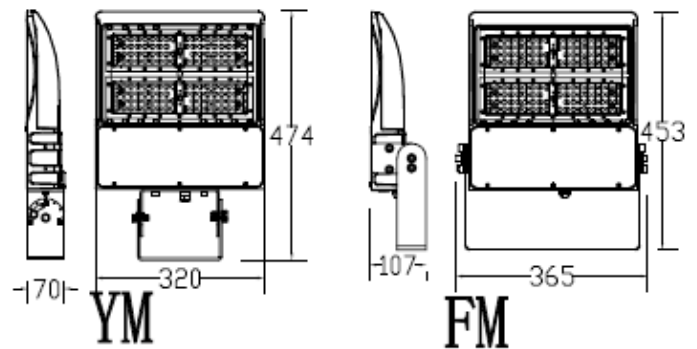
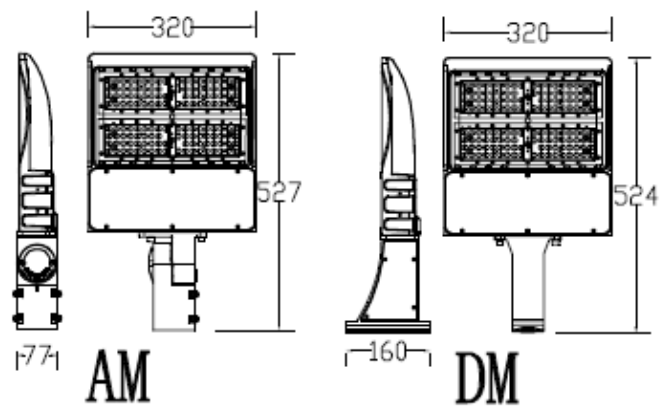
TM: TM MOUNTING

Advantage:

- UL cUL DLC certificate
- Lumileds Chip, high CRI
- Mean Well IP65 driver, Input voltage 100-277Vac
- 150*85° lens angle
- Optional Photocell and surge protection function
- No UV or IR in the beam
- Easy to install and operate
- Energy saving, Long lifespan
- Light is soft and uniform, Safe to eyes
- Instant start, NO flickering, NO humming
- Green and eco-friendly without mercury.

Application:

- Outdoor basketball court, tennis court.
- Badminton court, the football field.
- The school playground, stadium.
- Community leisure entertainment plaza, road lamp etc.



TECHNICAL DATA SHEET

Product Specifications

Product name	LED ShoeBox Light					
Part No	S150HLT3YA1					
Mounting Brackets	AM	DM	YM	FM	IM	TM
Dimension	527*320*77 MM	524*320*160 MM	474*320*70 MM	453*365*107 MM	563*320*181 MM	536*320*160 MM

Technical Characteristic

Color temperature	4000K	5000K	5700K
CRI	>70		
Lumen	18000-19500LM		
Lumen Efficacy	120-130 LM/W		
Input Power	150W		
Input Voltage	100-277Vac 50/60Hz		
Driver model	HLG-150H-48A (Mean Well Driver)		
PF	>0.9		
Waterproof Rating	IP65		

Materials

LED Brand	LUMILEDS
LED Type	LUXEON 3030 2D (1.5W)
LED QTY	140 PCS
Optional Accessory	Photocell Surge protector
Housing	Aluminum
Housing color	Black、Brown

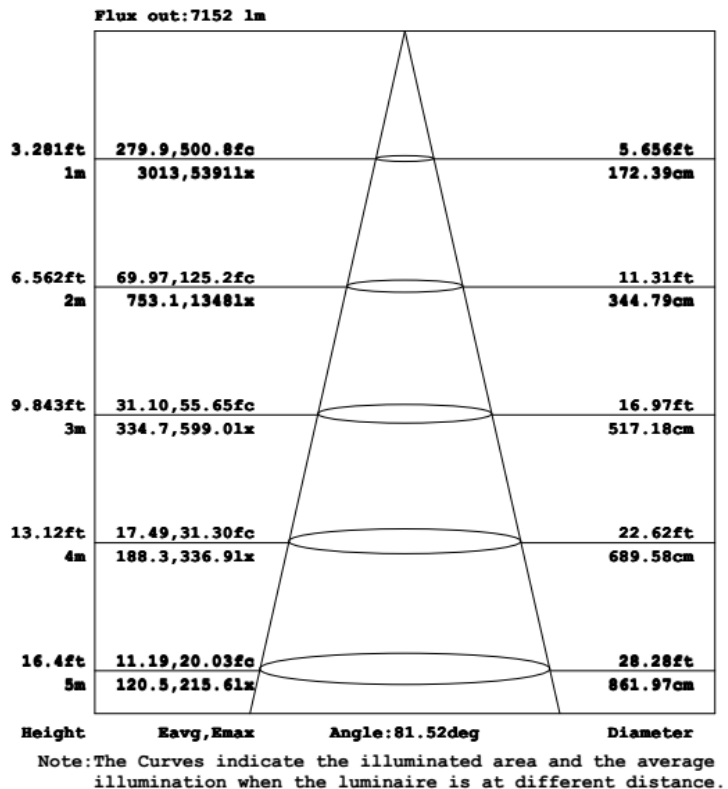
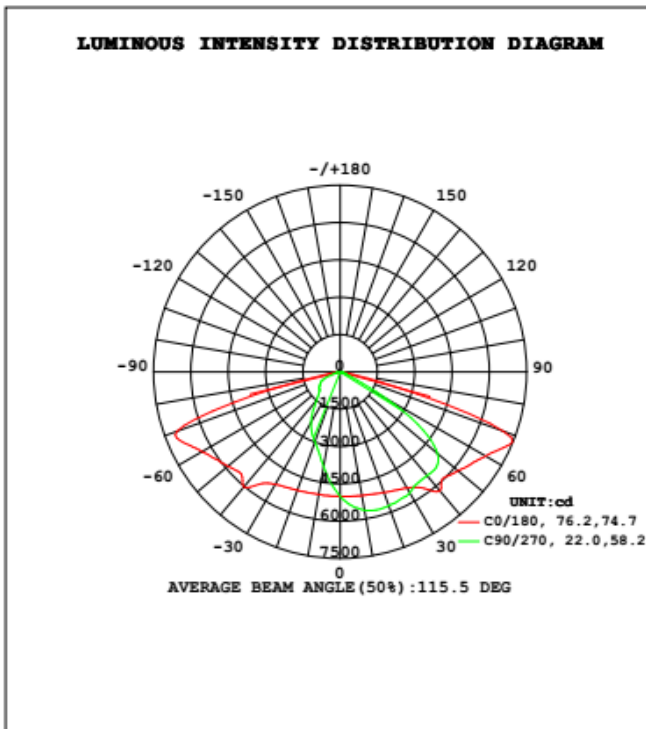
Others

Operating Temperature	-20°C TO 45°C
Operating Humidity	20%-90% RH
Storage Temperature	-30°C TO 80°C
Storage Humidity	10%-95%
Application	Outdoor / Indoor
Safety Certification	UL、cUL、DLC
Warranty Time	5 Years

TECHNICAL DATA SHEET

Light Distribution Testing Parameters

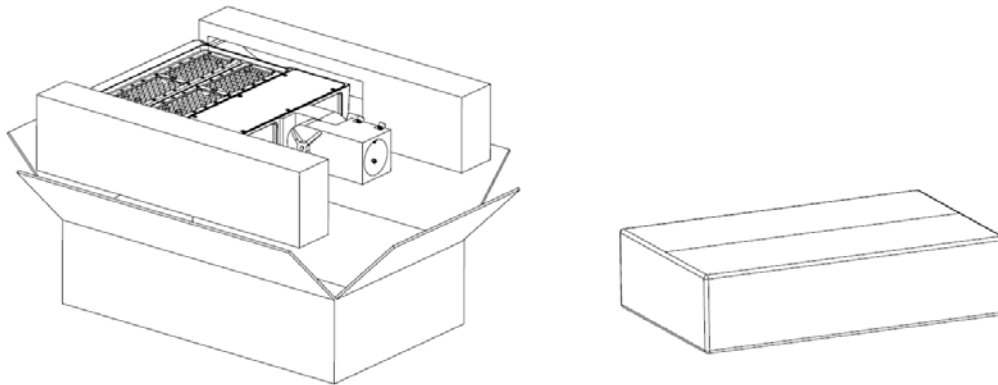
DATA OF LAMP		PHOTOMETRIC DATA Eff: 130.20 lm/W			
MODEL		I _{max} (cd)	9392	S/MH (C0/180)	1.77
NOMINAL POWER (W)	150	LOR (%)	100.0	S/MH (C90/270)	0.72
RATED VOLTAGE (V)	120	TOTAL FLUX (lm)	19355	η UP, DN (C0-180)	0.1, 67.3
NOMINAL FLUX (lm)	19355.1	CIE CLASS	DIRECT	η UP, DN (C180-360)	0.1, 32.5
LAMPS INSIDE	1	η up (%)	0.2	CIBSE SHR NOM	1.50
TEST VOLTAGE (V)	120.0	η down (%)	99.8	CIBSE SHR MAX	1.55



TECHNICAL DATA SHEET

Package

	Lamps Net Weight	Size	Qty/ Carton	Weight/ Carton
AM	7.1 KG	570 x 360 x 140mm	1	8.1KG
DM	6.9KG	570 x 360 x 140mm	1	7.9 KG
YM	6.8KG	570 x 360 x 140mm	1	7.8 KG
FM	6.3KG	385 x 360 x 160mm	1	7.2KG
IM	7.4KG	570 x 360 x 140mm	1	8.4KG
TM	7KG	570 x 360 x 140mm	1	8KG



Notice For User

- ◆ Please turn off power before install or change assembly parts.
- ◆ The input voltage and lamps should be matched, after connecting the power line, Please make sure the wiring section is insulated.
- ◆ No-professionals, must not install and disassemble the lamps.

Trouble Shootings

Troubles	Check points
Flickering of the light	Turn off the power and turn on again in 3 minutes. If same phenomena occur, then call agencies
Out of working	Please check the connection