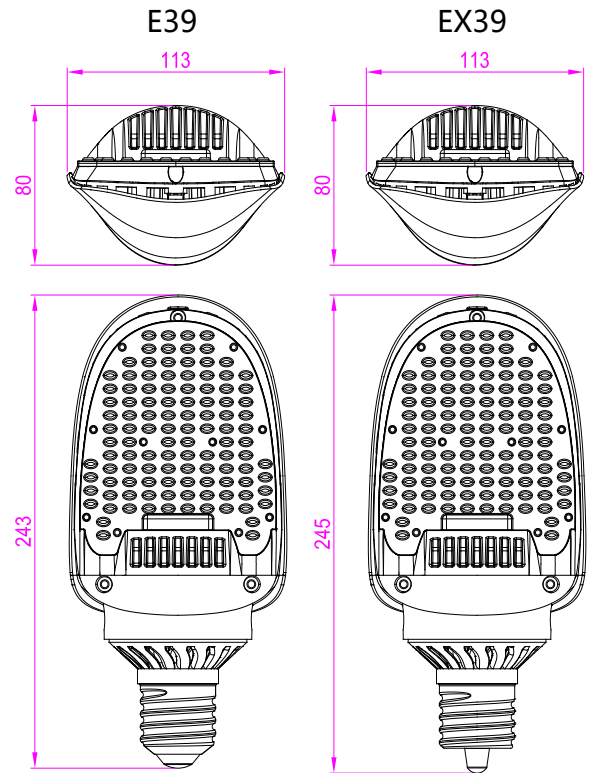


TECHNICAL DATA SHEET



NAME: LED Retrofit Kit

P/N: CLH-54W5A2Y

Note: The Letter Y in P/N stands for Lamp base type, "-E" for E39 lamp base, "-EX" for EX39 lamp base.

Advantage

- UL, CUL, DLC certificate
- LUMILEDS chip, high CRI.
- 150 degree.
- Internal driver, input voltage AC100-277V.
- E39, EX39 lamp base.
- Lamp Base: 270 degree rotated.
- Single SUNON fan.
- New style and high efficient wide-range input.
- Long lifespan and good heat dissipation.
- Direct replacement for Metal Halide, easy Installation.
- Fits many different fixtures to replace traditional lamps.

Application

Replacement Lamps for Outdoor Pole/Arm-mounted Area and Roadway Luminaires(Type B).

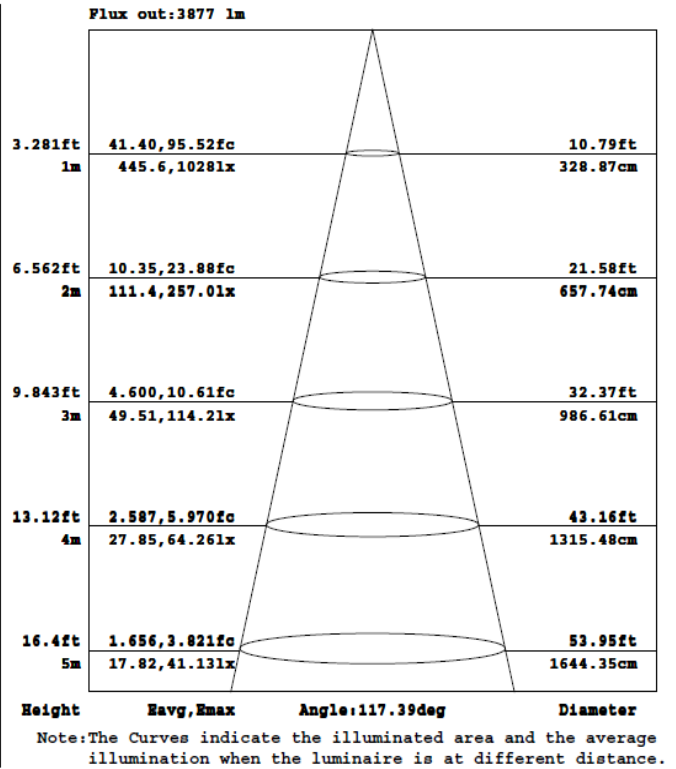
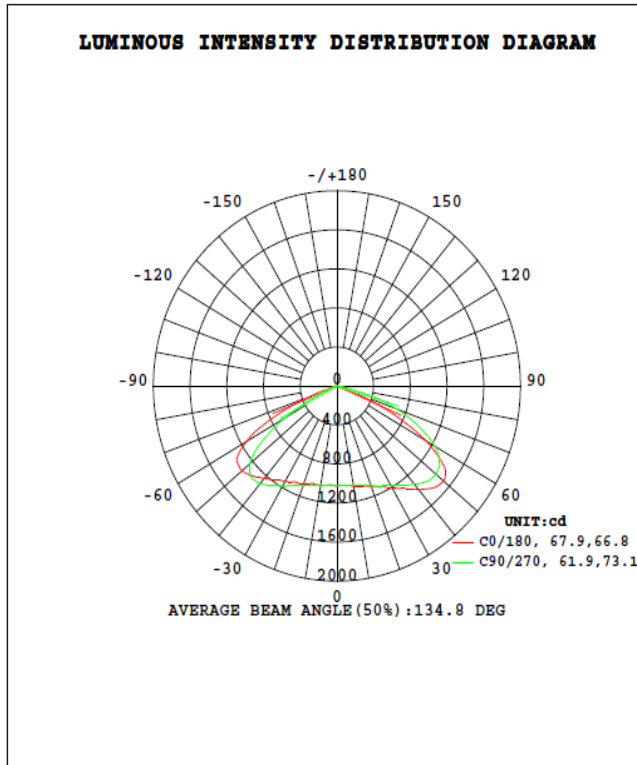
TECHNICAL DATA SHEET

PRODUCT SPECIFICATIONS		
Product name	LED Retrofit Kit	
Part No	CLH-54W5A2-E	CLH-54W5A2-EX
Lamp Base	E39	EX39
Dimension	243*113*80 MM	245*113*80 MM
Technical Characteristic		
Color temperature	4000K、5000K、5700K	
CRI	> 70	
Lumen-In Luminaires	5000-5300 LM	
Lumen Efficacy-In Luminaires	93-98 LM/W	
Input Power	54W	
Viewing Angle	150degree	
Input Voltage	AC100-277V 50/60Hz	
PF	>0.9	
Equivalent	120W CFL, 175W MHL/HPS/HID	
Waterproof Rating	IP51	
MATERIALS		
LED Brand	LUMILEDS	
LED Type	LUXEON 3030 2D (1.5W)	
LED QTY	112 PCS	
Housing	Magnesium Alloy+AL+PC	
Housing color	Black+Silver	
OTHERS		
Operating Temperature	-20°C TO 45°C	
Operating Humidity	20%-70% RH	
Storage Temperature	-30°C TO 80°C	
Storage Humidity	10%-75% RH	
Application	Replacement Lamps for Outdoor Pole/Arm-mounted Area and Roadway Luminaires	
Safety Certification	UL、CUL、DLC	
Warranty Time	5 Years	

TECHNICAL DATA SHEET

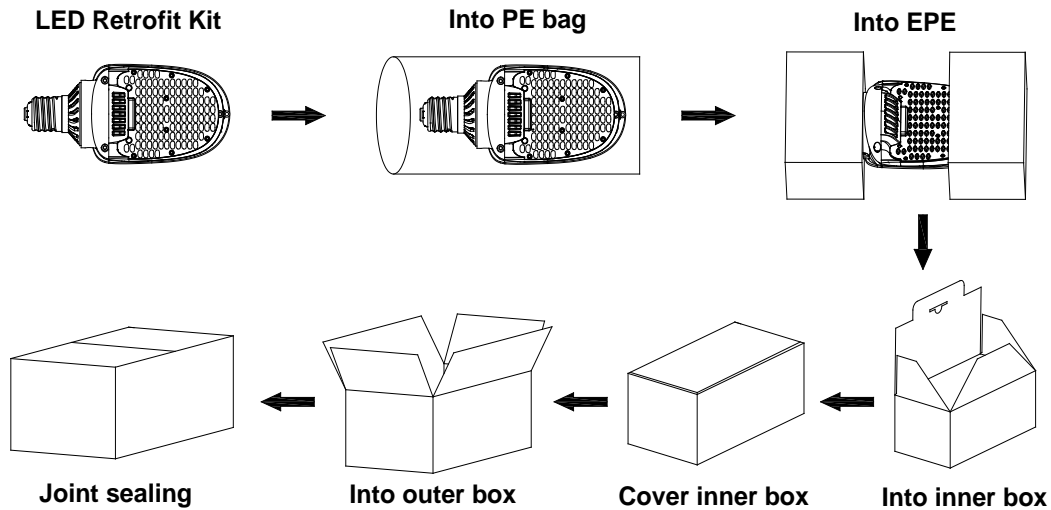
Remark: The testing data comes from the product in luminaires.

DATA OF LAMP		PHOTOMETRIC DATA				Eff: 94.52 lm/W
MODEL		I _{max} (cd)	1663	S/MH (C0/180)	1.83	
NOMINAL POWER (W)	54	LOR (%)	100.0	S/MH (C90/270)	1.86	
RATED VOLTAGE (V)	120	TOTAL FLUX (lm)	5010.0	η UP, DN (C0-180)	0.0, 55.5	
NOMINAL FLUX (lm)	5010.01	CIE CLASS	DIRECT	η UP, DN (C180-360)	0.0, 44.4	
LAMPS INSIDE	1	η up (%)	0.1	CIBSE SHR NOM	2.00	
TEST VOLTAGE (V)	120.0	η down (%)	99.9	CIBSE SHR MAX	0.00	



TECHNICAL DATA SHEET

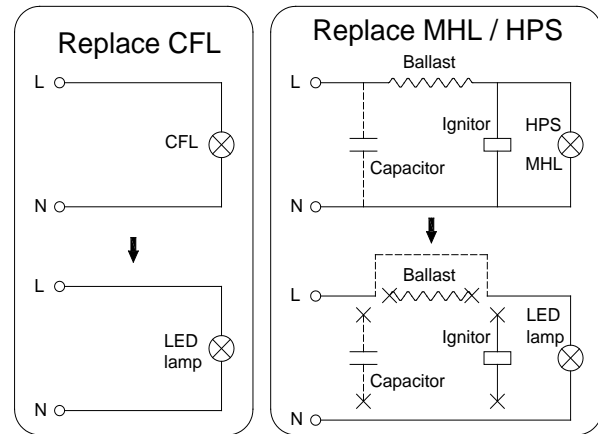
Package



	Size	Qty/ Carton	Net Weight/ Carton	Gross Weight/ Carton
Inner box	290*135*105 MM	1 PC	0.75 KG	0.91 KG
Outer box	560*310*235 MM	8 PCS	6.0 KG	8.1 KG

Notice For User

- Please turn off power before install or change assembly parts.
- The input voltage and lamps should be matched, after connecting the power line, please make sure the wiring section is insulated.
- Make sure to remove or bypass the ballast in the fixtures before install the lamps.
- Suitable for damp locations. Do not use with dimmers.
- Suitable for use in enclosed luminaires, min. lamp compartment dimensions: 420*210*210MM.
- No-professionals, must not install and disassemble the lamps.



Trouble Shootings

Troubles	Check points
Flickering of the lamps	Turn off the power and turn on again in 3 minutes. If same phenomena occur, then call agencies
Out of working	Please check the connection