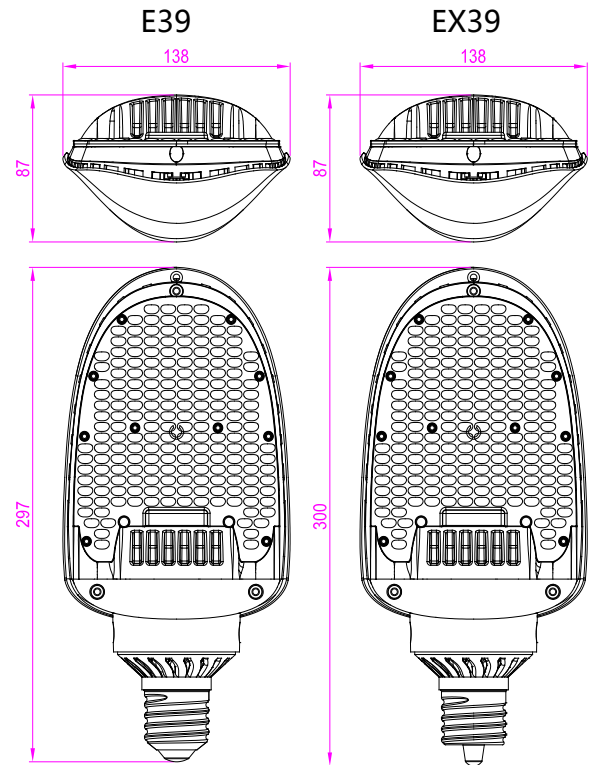


TECHNICAL DATA SHEET



NAME: LED Retrofit Kit

P/N: CLH-115W1A1Y

Note: The Letter Y in P/N stands for Lamp base type, "-E" for E39 lamp base, "-EX" for EX39 lamp base.

Advantage

- UL、CUL、DLC certificate
- LUMILEDS chip, high CRI.
- 90*150 degree.
- Internal driver, input voltage AC100-277V.
- E39、EX39 lamp base.
- Lamp Base: 270 degree rotated.
- Single SUNON fan.
- New style and high efficient wide-range input.
- Long lifespan and good heat dissipation.
- Direct replacement for Metal Halide, easy Installation.
- Fits many different fixtures to replace traditional lamps.

Application

Replacement Lamps for Outdoor Pole/Arm-mounted Area and Roadway Luminaires(Type B).

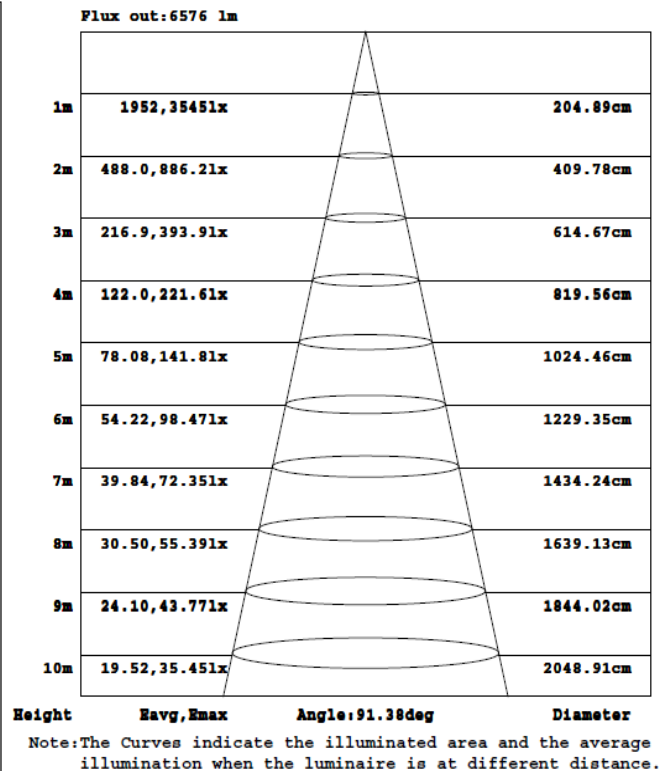
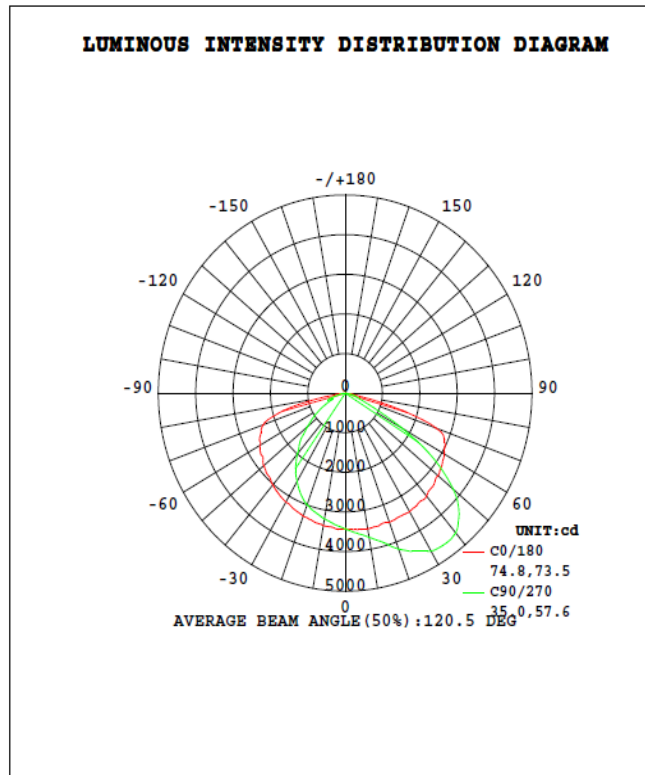
TECHNICAL DATA SHEET

PRODUCT SPECIFICATIONS		
Product name	LED Retrofit Kit	
Part No	CLH-115W1A1-E	CLH-115W1A1-EX
Lamp Base	E39	EX39
Dimension	297*138*87 MM	300*138*87 MM
Technical Characteristic		
Color temperature	4000K、5000K、5700K	
CRI	> 70	
Lumen-In Luminaires	12500-13500 LM	
Lumen Efficacy-In Luminaires	108-118 LM/W	
Input Power	115W	
Viewing Angle	90*150degree	
Input Voltage	AC100-277V 50/60Hz	
PF	>0.9	
Equivalent	200W CFL, 400W MHL/HPS/HID	
Waterproof Rating	IP51	
MATERIALS		
LED Brand	LUMILEDS	
LED Type	LUXEON 3030 2D (1.5W)	
LED QTY	196 PCS	
Housing	Magnesium Alloy+AL+PC	
Housing color	Black+Silver	
OTHERS		
Operating Temperature	-20°C TO 45°C	
Operating Humidity	20%-70% RH	
Storage Temperature	-30°C TO 80°C	
Storage Humidity	10%-75% RH	
Application	Replacement Lamps for Outdoor Pole/Arm-mounted Area and Roadway Luminaires	
Safety Certification	UL、CUL、DLC	
Warranty Time	5 Years	

TECHNICAL DATA SHEET

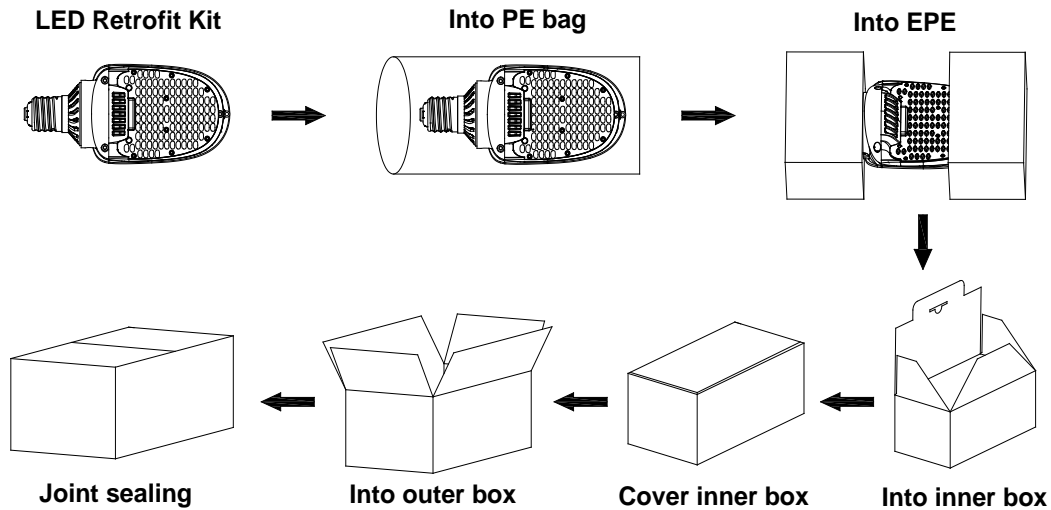
Remark: The testing data comes from the product in luminaires.

DATA OF LAMP		PHOTOMETRIC DATA				Eff: 113.44 lm/W
MODEL		I _{max} (cd)	4765	S/MH (C0/180)	1.40	
NOMINAL POWER (W)	115	LOR (%)	100.0	S/MH (C90/270)	1.14	
RATED VOLTAGE (V)	120	TOTAL FLUX (lm)	12819	η UP, DN (C0-180)	0.1, 63.9	
NOMINAL FLUX (lm)	12819.3	CIE CLASS	DIRECT	η UP, DN (C180-360)	0.1, 35.9	
LAMPS INSIDE	1	η up (%)	0.2	CIBSE SHR NOM	1.50	
TEST VOLTAGE (V)	120.0	η down (%)	99.8	CIBSE SHR MAX	1.55	



TECHNICAL DATA SHEET

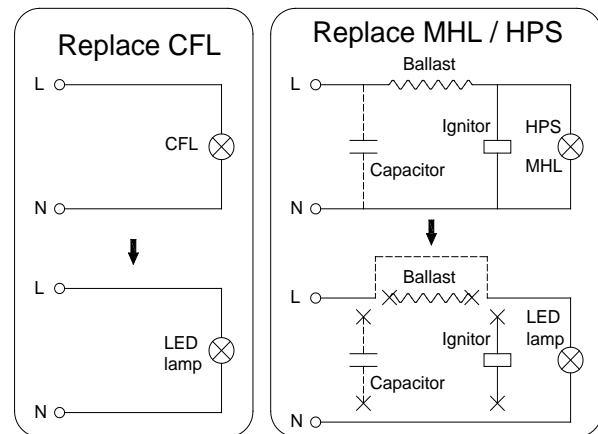
Package



	Size	Qty/ Carton	Net Weight/ Carton	Gross Weight/ Carton
Inner box	340*160*110 MM	1 PC	1.31 KG	1.55 KG
Outer box	660*360*245 MM	8 PCS	10.5 KG	13.4 KG

Notice For User

- Please turn off power before install or change assembly parts.
- The input voltage and lamps should be matched, after connecting the power line, please make sure the wiring section is insulated.
- Make sure to remove or bypass the ballast in the fixtures before install the lamps.
- Suitable for damp locations. Do not use with dimmers.
- Suitable for use in enclosed luminaires, min. lamp compartment dimensions: 440*260*260MM.
- No-professionals, must not install and disassemble the lamps.



Trouble Shootings

Troubles	Check points
Flickering of the lamps	Turn off the power and turn on again in 3 minutes. If same phenomena occur, then call agencies
Out of working	Please check the connection