

TECHNICAL DATA SHEET



NAME: LED High Bay Light

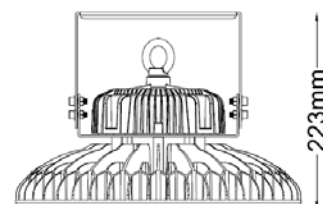
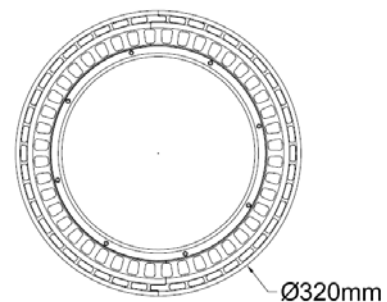
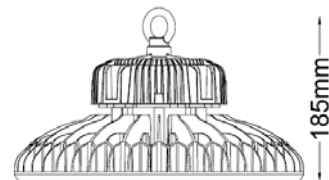
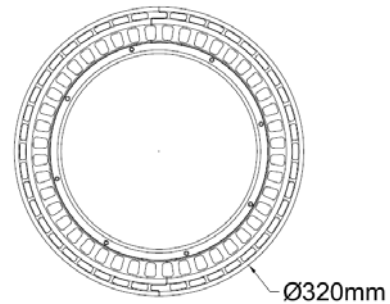
P/N : HB02-150WD1

Advantage:

- UL cUL DLC certificate
- Mean Well IP65 driver, Input voltage 100-277Vac
- No UV or IR in the beam
- Easy to install and operate
- Energy saving, long lifespan
- Instant start, NO flickering, NO humming
- Green and eco-friendly without mercury
- Output constant current lever can be adjusted through output cable with 1-10V.

Application:

- ◆ Warehouse, factory and workshops;
- ◆ Highway toll station and gas station;
- ◆ Exhibition hall;
- ◆ Gymnasium and supermarkets, etc.



TECHNICAL DATA SHEET

Product Specifications

Product name	LED High Bay Light
Part No	HB02-150WD1
Dimension	∅ 320 x 185 mm or ∅ 320 x 223 mm

Technical Characteristic

Color temperature	4000K	5000K	5700K
CRI	>80		
Lumen	19500 - 20500LM		
Input Power	150W		
Viewing Angle	120°		
Input Voltage	100-277Vac	50/60Hz	
Driver model	HBG-160-48B (Mean Well Driver)		
PFC	>0.9		
Waterproof Rating	WET (IP65)		

Materials

LED Brand	LUMILEDS
LED Type	LUXEON 3030 2D (1.5W)
LED QTY	224 PCS
Housing	Aluminum
Housing color	Black
Cover	Tempered Glass

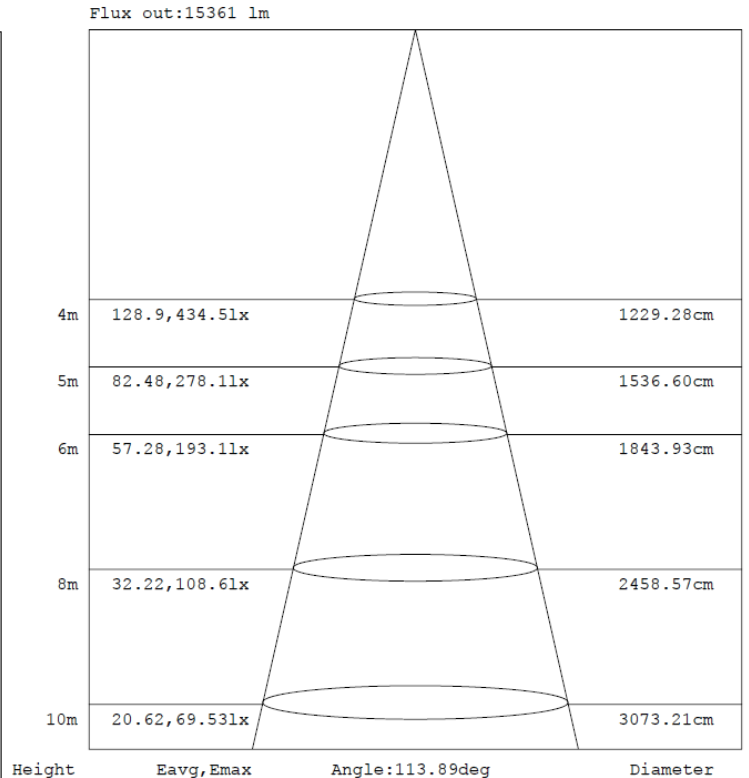
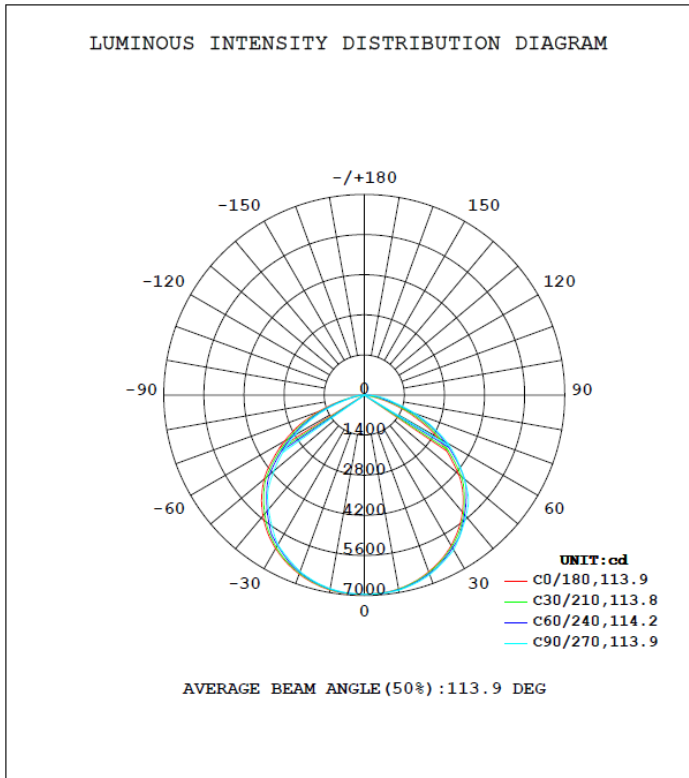
Others

Operating Temperature	-20°C TO 40°C
Operating Humidity	20%-90% RH
Storage Temperature	-30°C TO 80°C
Storage Humidity	10%-95%
Application	Indoor / Outdoor
Safety Certification	UL、cUL、DLC
Warranty Time	5 Years

TECHNICAL DATA SHEET

Light Distribution Testing Parameters

DATA OF LAMP		PHOTOMETRIC DATA Eff: 129.50 lm/W			
MODEL		I _{max} (cd)	6959	S/MH (C0/180)	1.32
NOMINAL POWER (W)	150	LOR (%)	100.0	S/MH (C90/270)	1.28
RATED VOLTAGE (V)	120	TOTAL FLUX (lm)	19748	η UP, DN (C0-180)	0.0, 51.8
NOMINAL FLUX (lm)	19748.4	CIE CLASS	DIRECT	η UP, DN (C180-360)	0.0, 48.2
LAMPS INSIDE	1	η up (%)	0.0	CIBSE SHR NOM	1.25
TEST VOLTAGE (V)	120	η down (%)	100.0	CIBSE SHR MAX	1.35



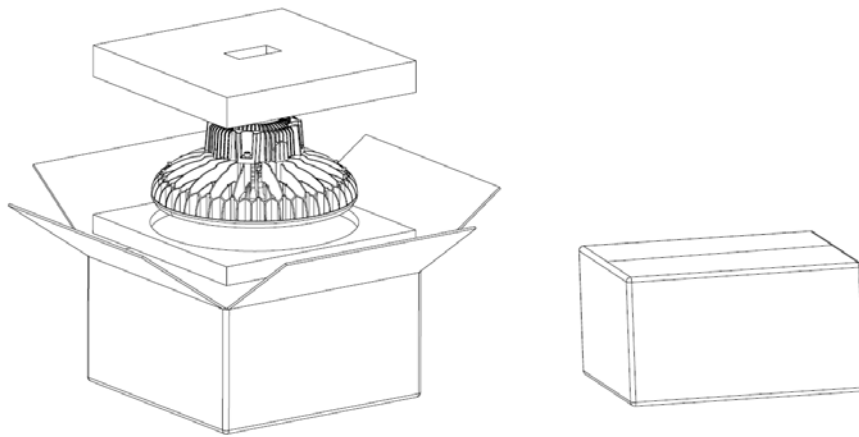
Note: The Curves indicate the illuminated area and the average illumination when the luminaire is at different distance.

TECHNICAL DATA SHEET

Package

Lamps Net Weight: 5.3 kg / pc

	Size	Qty/Carton	Weight/Carton
Outer box	370 x 370 x 200 mm	1	6.3 kg



Notice For User

- ◆ Please turn off power before install or change assembly parts.
- ◆ The input voltage and lamps should be matched, after connecting the power line, Please make sure the wiring section is insulated.
- ◆ No-professionals, must not install and disassemble the lamps.

Trouble Shootings

Troubles	Check points
Flickering of the light	Turn off the power and turn on again in 3 minutes. If same phenomena occur, then call agencies
Out of working	Please check the connection