

TECHNICAL DATA SHEET



Type C



Type A



Type B



NAME: LED Flood Light

P/N: FL06-30WAT1A1-aaK

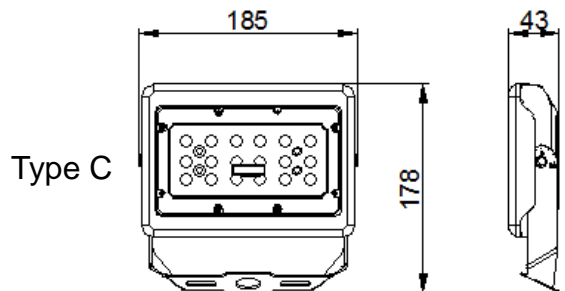
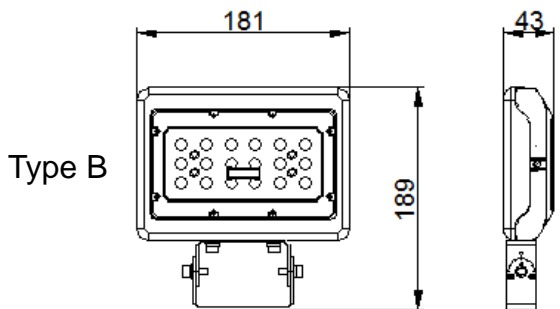
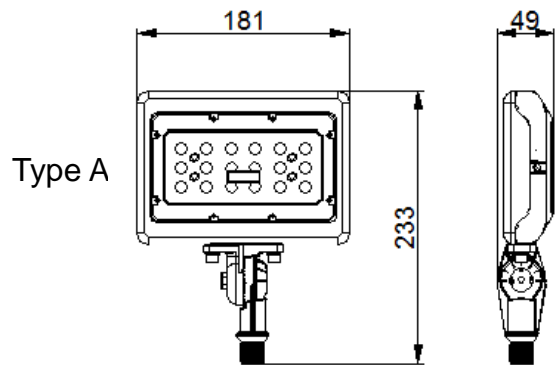
Note: aa in P/N represent CCT, can be 40,50,57

Advantage:

- UL cUL DLC certificate
- Philips Lumileds Chip, High CRI
- China brand IP65 driver, Input voltage 100-277Vac
- No UV or IR in the beam
- Easy to install and operate
- Energy saving, Long lifespan
- Instant start, NO flickering, NO humming
- Green and eco-friendly without mercury.

Application:

- ◆ Factory floor, libraries, square, park;
- ◆ Supermarkets, railway stations;
- ◆ Advertising lighting, etc.



TECHNICAL DATA SHEET

Product Specifications

Product name	LED Flood Light
Part No	FL06-30WAT1A1-aaK
Dimension	Type A: 233*181*49 mm
	Type B: 189*181*43mm
	Type C: 178*185*43 mm

Technical Characteristic

Color temperature	4000K/5000K/5700K
CRI	>70
Lumen	3500-4000 LM
Input Power	30W
Viewing Angle	7H7V
Input Voltage	100-277Vac 50/60Hz
Driver model	China brand driver
Optional	Surge Protection Device
PF	>0.9
Waterproof Rating	WET (IP65)

Materials

LED Brand	PHILIPS LUMILEDS
LED Type	LUXEON 3030 2D
LED QTY	36PCS
Housing	Aluminum +PC+Steel
Housing color	Black,Bronze,White

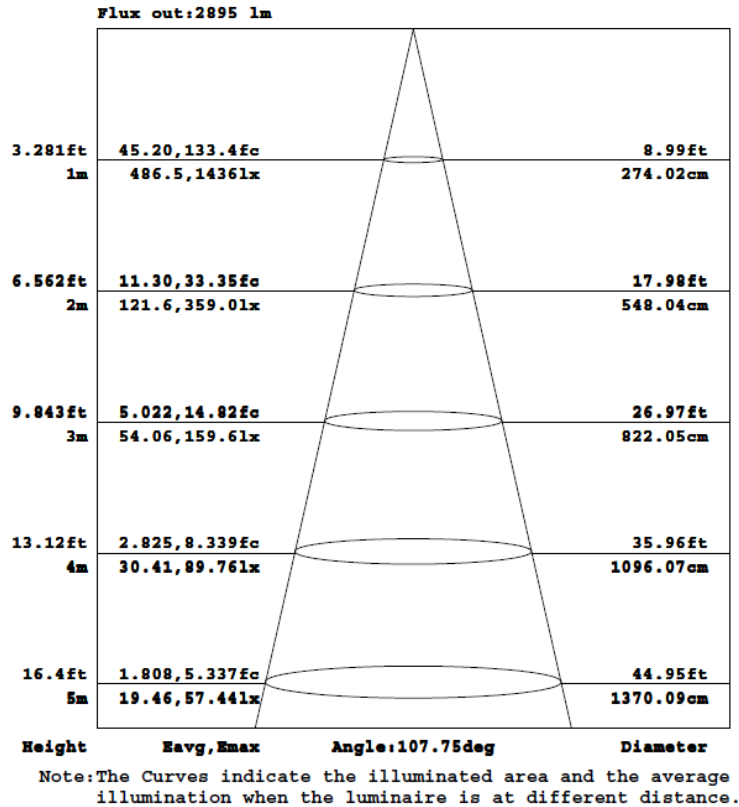
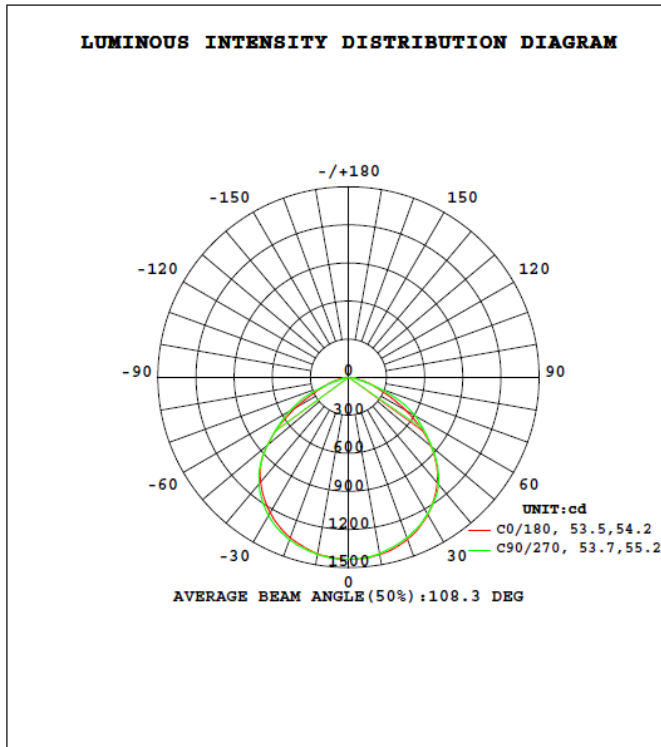
Others

Operating Temperature	-20°C TO 45°C
Operating Humidity	20%-90% RH
Storage Temperature	-30°C TO 80°C
Storage Humidity	10%-95%
Application	Outdoor / Indoor
Safety Certification	UL、cUL、DLC
Warranty Time	5 Years

TECHNICAL DATA SHEET

Light Distribution Testing Parameters

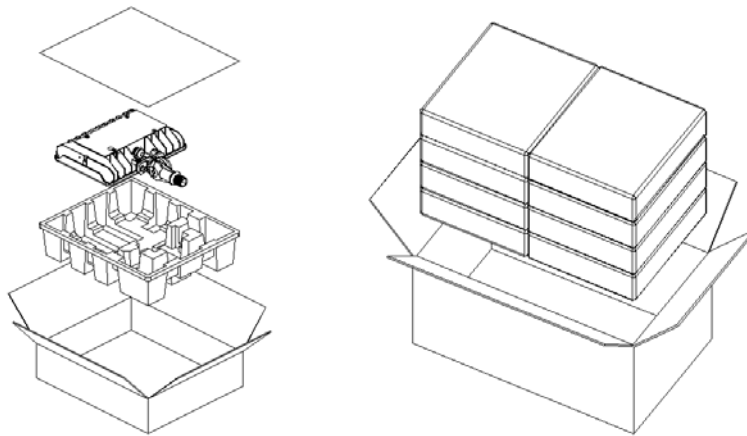
DATA OF LAMP		PHOTOMETRIC DATA Eff: 129.56 lm/W			
MODEL		I _{max} (cd)	1437	S/MH (C0/180)	1.28
NOMINAL POWER (W)	30	LOR (%)	100.0	S/MH (C90/270)	1.30
RATED VOLTAGE (V)	120	TOTAL FLUX (lm)	3736.9	η UP, DN (C0-180)	0.1, 50.6
NOMINAL FLUX (lm)	3736.91	CIE CLASS	DIRECT	η UP, DN (C180-360)	0.1, 49.3
LAMPS INSIDE	1	η up (%)	0.1	CIBSE SHR NOM	1.25
TEST VOLTAGE (V)	120.0	η down (%)	99.9	CIBSE SHR MAX	1.35



TECHNICAL DATA SHEET

Package

		Type A	Type B	Type C
Lamps Net Weight		1.14 kg	1.10 kg	1.12 kg
Inner box	size	280*225*72mm		
	Qty/ Carton	1 PCS		
	Weight/ Carton	1.43 kg	1.39 kg	1.41 kg
Outer box	size	465*295*315 mm		
	Qty/ Carton	8 PCS		
	Weight/ Carton	12.2 kg	11.9 kg	12.1 kg



Notice For User

- ◆ Please turn off power before install or change assembly parts.
- ◆ The input voltage and lamps should be matched, after connecting the power line, Please make sure the wiring section is insulated.
- ◆ No-professionals, must not install and disassemble the lamps.

Trouble Shootings

Troubles	Check points
Flickering of the light	Turn off the power and turn on again in 3 minutes. If same phenomena occur, then call agencies
Out of working	Please check the connection