

TECHNICAL DATA SHEET



Type C



Type A



Type B

NAME: LED Flood Light

P/N: FL06-15WAT1A1-aaK

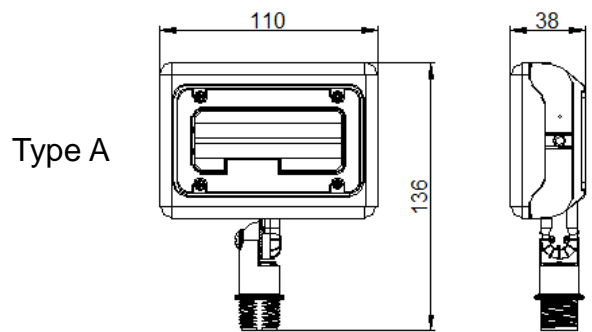
Note: aa in P/N represent CCT, can be 40,50,57

Advantage:

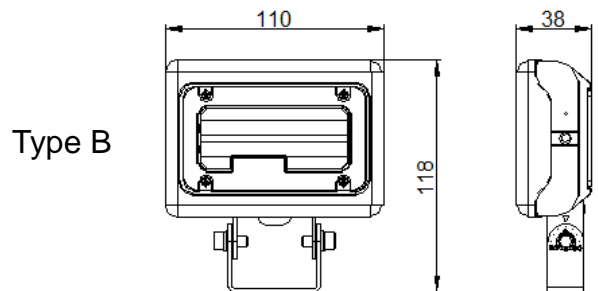
- UL cUL DLC certificate
- Philips Lumileds Chip, High CRI
- China brand IP65 driver, Input voltage 100-277Vac
- No UV or IR in the beam
- Easy to install and operate
- Energy saving, Long lifespan
- Instant start, NO flickering, NO humming
- Green and eco-friendly without mercury.

Application:

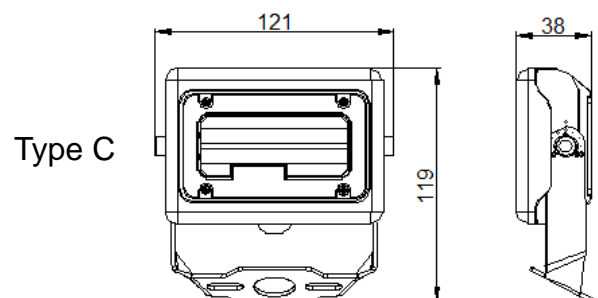
- ◆ Factory floor, libraries, square, park;
- ◆ Supermarkets, railway stations;
- ◆ Advertising lighting, etc.



Type A



Type B



Type C

TECHNICAL DATA SHEET

Product Specifications

Product name	LED Flood Light
Part No	FL06-15WAT1A1-aaK
Dimension	Type A: 136*110*38mm
	Type B: 118*110*38 mm
	Type C: 119*121*38 mm

Technical Characteristic

Color temperature	4000K/5000K/5700K
CRI	>70
Lumen	1750 - 2000 LM
Input Power	15W
Viewing Angle	7H7V
Input Voltage	100-277Vac 50/60Hz
Driver model	China brand driver
PF	>0.9
Waterproof Rating	WET (IP65)

Materials

LED Brand	PHILIPS LUMILEDS
LED Type	LUXEON 3030 2D
LED QTY	22PCS
Housing	Aluminum +PC+Steel
Housing color	Black,Bronze,White

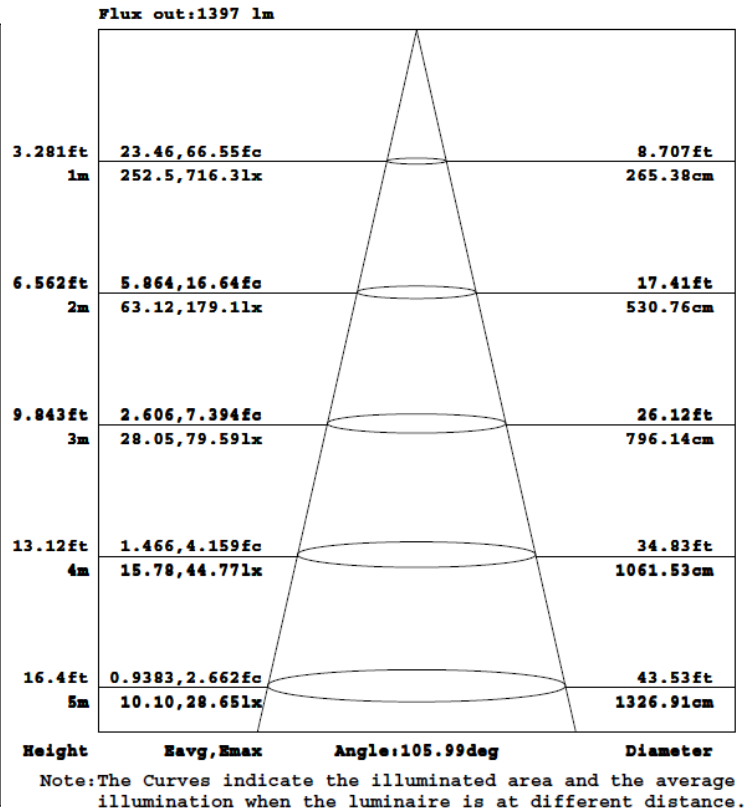
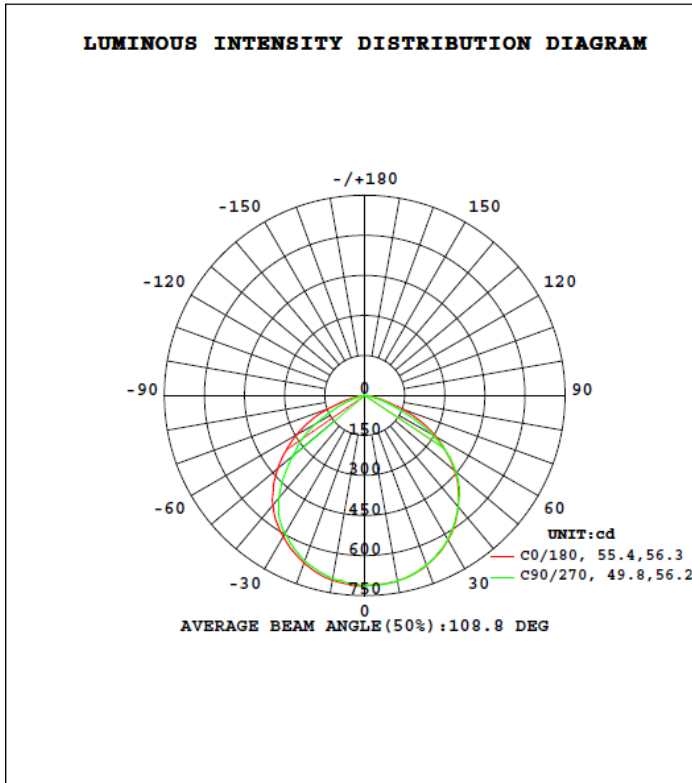
Others

Operating Temperature	-20°C TO 45°C
Operating Humidity	20%-90% RH
Storage Temperature	-30°C TO 80°C
Storage Humidity	10%-95%
Application	Outdoor / Indoor
Safety Certification	UL、cUL、DLC
Warranty Time	5 Years

TECHNICAL DATA SHEET

Light Distribution Testing Parameters

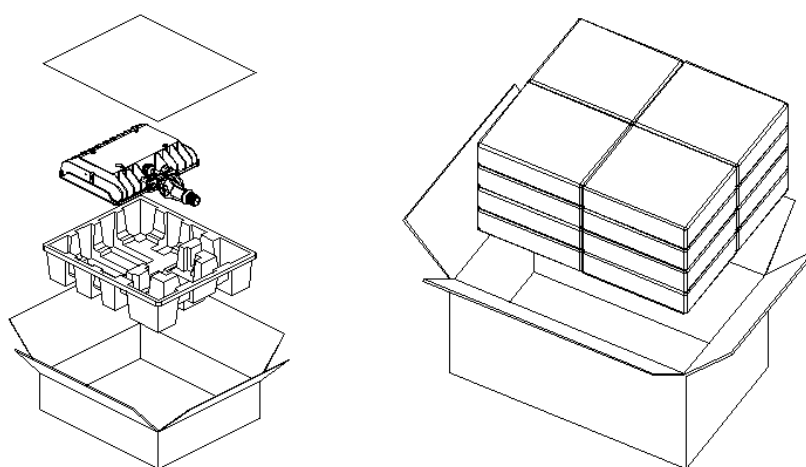
DATA OF LAMP		PHOTOMETRIC DATA			
MODEL		I _{max} (cd)	715.8	S/MH (C0/180)	1.28
NOMINAL POWER (W)	15	LOR (%)	100.0	S/MH (C90/270)	1.25
RATED VOLTAGE (V)	120	TOTAL FLUX (lm)	1899.1	η UP, DN (C0-180)	0.0, 52.4
NOMINAL FLUX (lm)	1899.05	CIE CLASS	DIRECT	η UP, DN (C180-360)	0.0, 47.5
LAMPS INSIDE	1	η up (%)	0.0	CIBSE SHR NOM	1.25
TEST VOLTAGE (V)	120.0	η down (%)	100.0	CIBSE SHR MAX	1.35



TECHNICAL DATA SHEET

Package

		Type A	Type B	Type C
Lamps Net Weight		0.40 kg	0.43 kg	0.48 kg
Inner box	size	185*155*62 mm		
	Qty/ Carton	1 PCS		
	Weight/ Carton	0.53 kg	0.56 kg	0.61 kg
Outer box	size	385*325*275 mm		
	Qty/ Carton	16 PCS		
	Weight/ Carton	9.2 kg	9.7 kg	10.5 kg



Notice For User

- ◆ Please turn off power before install or change assembly parts.
- ◆ The input voltage and lamps should be matched, after connecting the power line, Please make sure the wiring section is insulated.
- ◆ No-professionals, must not install and disassemble the lamps.

Trouble Shootings

Troubles	Check points
Flickering of the light	Turn off the power and turn on again in 3 minutes. If same phenomena occur, then call agencies
Out of working	Please check the connection