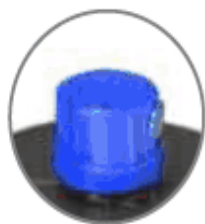


300W SHOEBOX/AREA LIGHT

Versatile LED Shoebox fixture light with a 135 lumen per watt plus output is one of the most cost effective flood/area light on the market today. Comes Standart 2" Fitter Arm, Optional 1-10v dimmable/ Photocell Sensor.



Daylight
Sensor



Microwave
motion sensor



Slip Fitter



Round Pole



Square Pole



Trunnion

Technical Parameters

| | |
|----------------------|---|
| Fixture housing | Aluminum + Optical PC Lens |
| Fixture Coulor | Bronze (standart) ; Gray; White |
| Mounting Arm | Optional Knuckle/ 2" Slip fitter, Yoke mount, Trunnion Mount for Square/ Ro |
| Application projects | outdoor Roadways, Parking area, Corridors, Security, Sports ground, Stadium, plaza etc. outdoor area lighting projects. |
| Certificates | Approved UL&CUL (E476588), DLC , FCC, CE, RoHS |
| Warranty | 5 Years |

Electrical Parameters

| | |
|---------------------|------------------------|
| ITEM | 300W |
| Power Consumption | 305W |
| LED Source | PHILIPS SMD3030 LED |
| Input Voltage Range | 100-277VAC; 200-480VAC |
| Frequency Range | 50/60Hz |
| Power Factor | >0.95 |
| THD | <12% |
| Power line | UL SJTW 3G18AWG |

300W SHOEBOX/AREA LIGHT

Versatile LED Shoebox fixture light with a 135 lumen per watt plus output is one of the most cost effective flood/area light on the market today. Comes Standard 2" Fitter Arm, Optional 1-10v dimmable/ Photocell Sensor.

Optical & Efficiency Parameters

| | |
|-----------------------|--|
| Beam Angle | Type II (120x65°), Type III(155x80°), Type V (90°) |
| Color Temperature | 2700K--3200K, 4000K-4500K, 5000K-5500K, 5700K, 6000K-6500K |
| Lumen Efficiency | >135LM/W |
| Lumen Output | 300W=40500lm |
| Color Rendering Index | CRI> 80Ra |
| IP Rating | IP66 |
| IK Level | IK08 |
| LED JT | < 69°C |
| Working Temperature | -25°C ~ +50°C |
| Humidity | 10%~90%RH |
| Life-span (L70) | >50,000Hrs |

Options

PIR motion sensor/ Microwave motion sensor

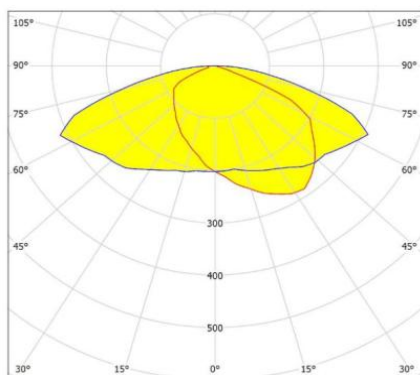
Photocell Sensor (100-277VAC/ 347VAC)

Finish color: Bronze/ Grey/ White

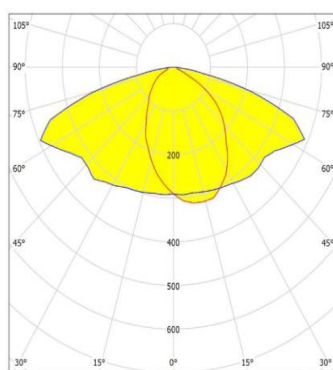
Advantages

- ◆ Optional 1-10V dimmable, motion sensor functions
- ◆ High quality Aluminum Fixture, professional cooling design, better cooling LED Tj < 69°C.
- ◆ IP66 waterproof Rating
- ◆ Versatile- Flood or parking area etc. all kind of outdoor lighting projects
- ◆ Veriaty kinds mounting arms, suitable for difference poles mounting requirments.
- ◆ Special thermal design, reduce fixture weight and ensure good heat dissipation, lower luminous decay to extend life span of the leds.
- ◆ Anti-glare Lens, no UV, no IR, no mercury or other hazardous substances
- ◆ Very low rate of failure
- ◆ 5 years warranty
- ◆ Complete with a 10KA surge protector (100-277V) and 347V has built in input Surge protection 4KV line-line, 6KV line- earth

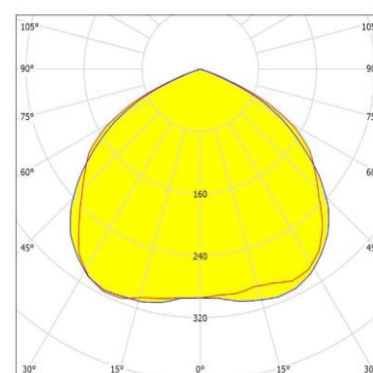
Optical Lens Type



TYPE II



TYPE III

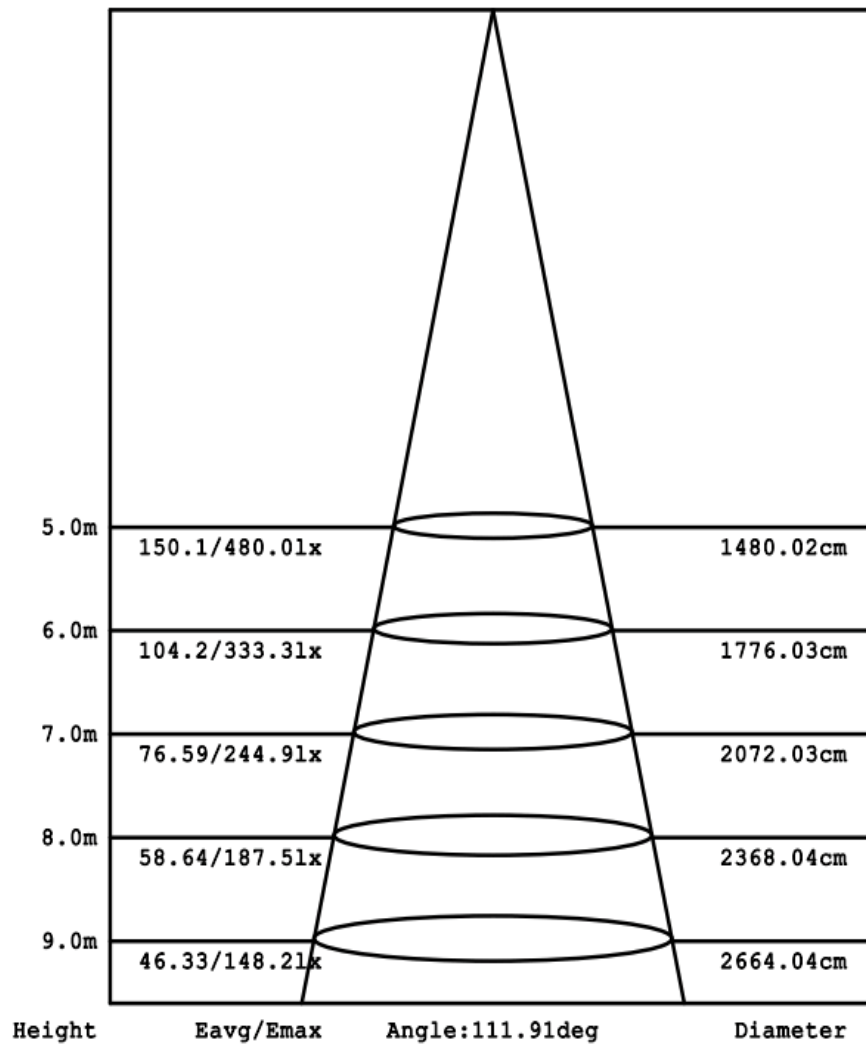


TYPE V

300W SHOEBOX/AREA LIGHT

Versatile LED Shoebox fixture light with a 135 lumen per watt plus output is one of the most cost effective flood/area light on the market today. Comes Standard 2" Fitter Arm, Optional 1-10v dimmable/ Photocell Sensor.

Photometrics



Product Code Guide

| ITEM CODE | WATTAGE | CCT | VOLTAGE |
|-----------------------|---------|------------|----------|
| SL- SHOEBOX LED LIGHT | 300W | 40K- 4000K | 110V |
| | | 50K-5000K | 120V |
| | | 55K-5500K | 100-277V |
| | | 60K-6000K | 200-480V |
| | | 65K-6500K | |

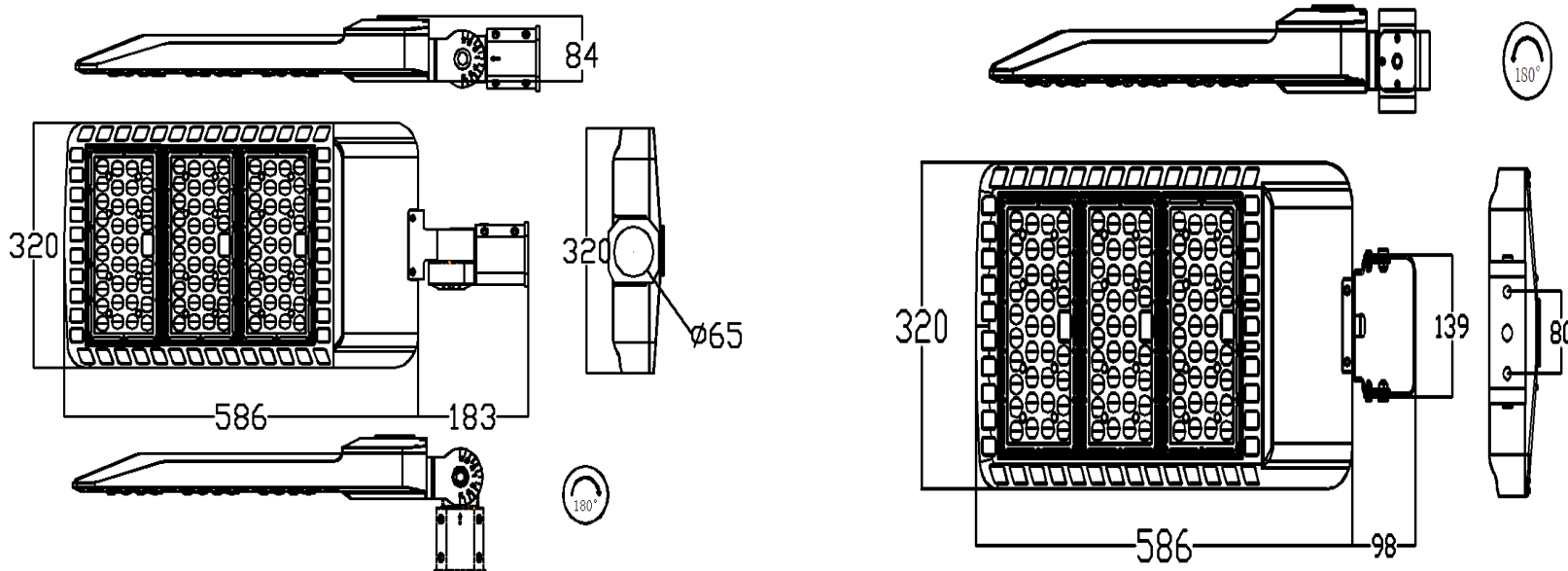
| | | | | | | |
|-----------|---|-------|---|----------|---|------------|
| SL | - | 300w | - | 40K/ 50K | - | 120V/ 480V |
| Item code | | Watts | | CCT | | Voltage |

Example: SL-300W-50K-120 (Shoebbox LED light , 300W, CCT 5000K, 120VAC)

300W SHOEBOX/AREA LIGHT

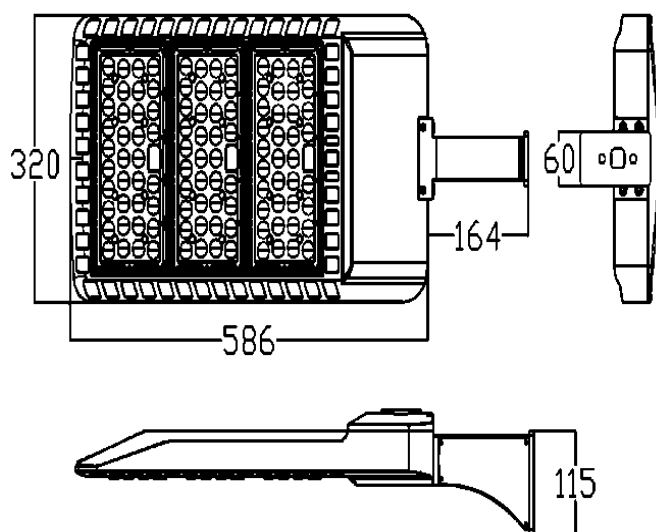
Versatile LED Shoebox fixture light with a 135 lumen per watt plus output is one of the most cost effective flood/area light on the market today. Comes Standart 2" Fitter Arm, Optional 1-10v dimmable/ Photocell Sensor.

Fixture Dimensions



Knuckle/ Slip Fitter Arm

Yoke Arm



300W- Fix Arm

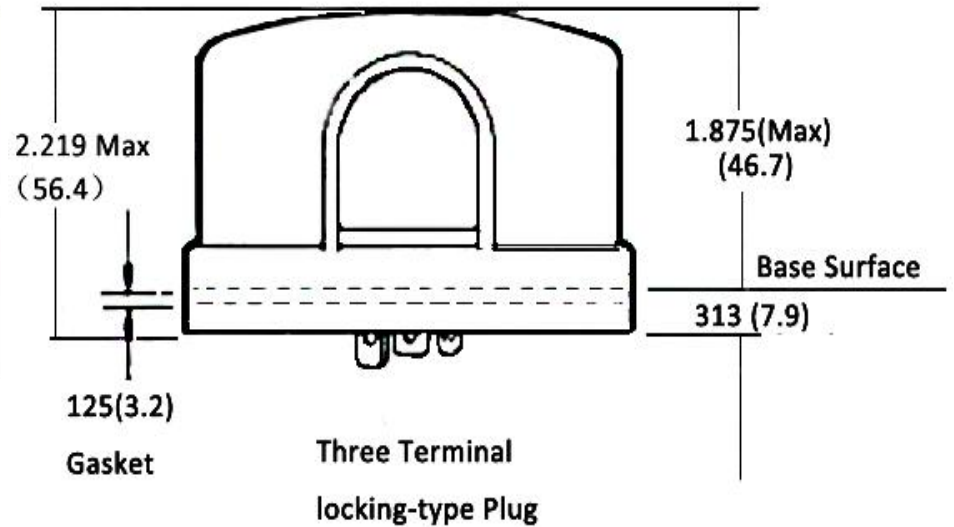
Packing Details



300W SHOEBOX/AREA LIGHT

Versatile LED Shoebox fixture light with a 135 lumen per watt plus output is one of the most cost effective flood/area light on the market today. Comes Standard 2" Fitter Arm, Optional 1-10v dimmable/ Photocell Sensor.

PHOTOCELL CONTROLLER

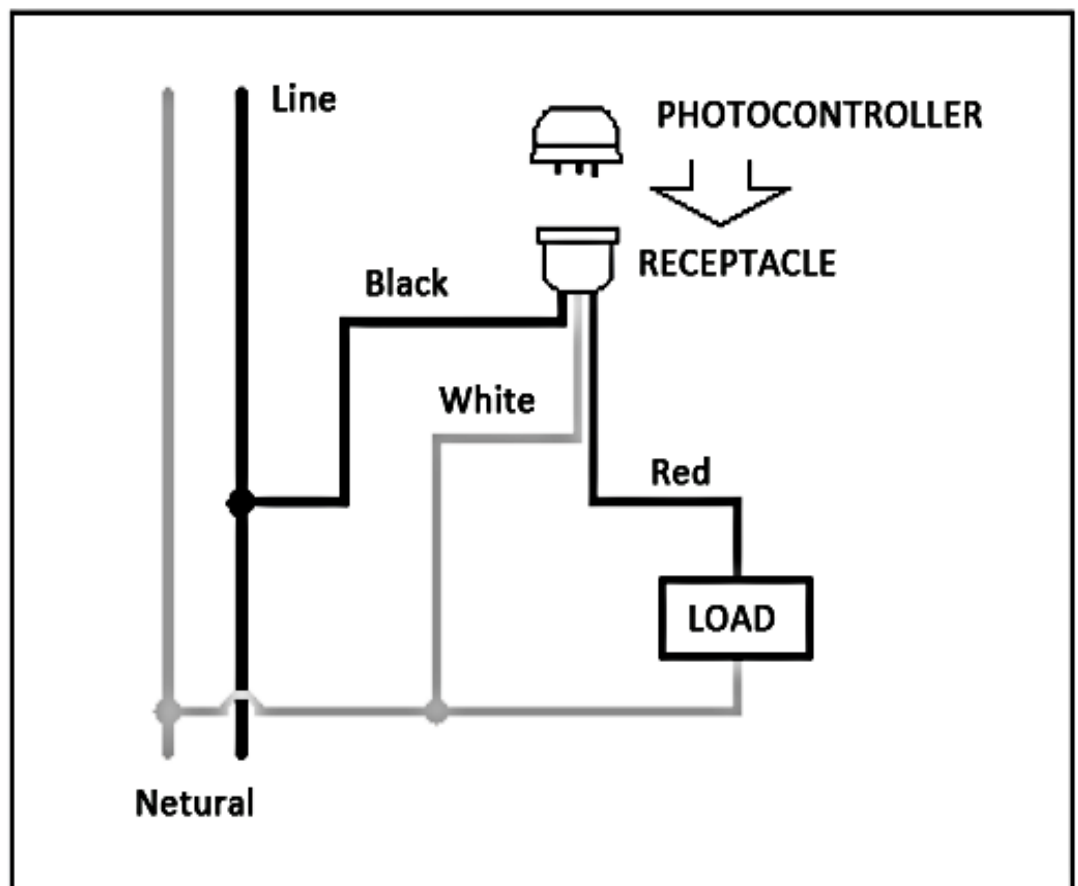


Rated Voltage: 120-277VAC
Applicable Voltage: 105-305VAC
Rated Frequency: 50/60HZ
Rated Loading: 1000W Tungsten, 1800VA Ballast
Power Consumption: 0.5W
Typical On/Off Level: 16Lx On/ 24Lx Off
Ambient Temp.: -40°C ~ +70°C
Relative Humidity: 99%/ 100% (IP67)
Overall Size: 84 (Dia.) X 66mm

INSTALLATION

Disconnect power; Wire the receptacle according to the diagram in right hand, Push the photocontroller on and twist it clockwise to lock it into the receptacle.

Install the photocontroller with the Photocell facing the NORTH direction as indicated on the top of the photocontroller. Adjust the receptacle position if necessary

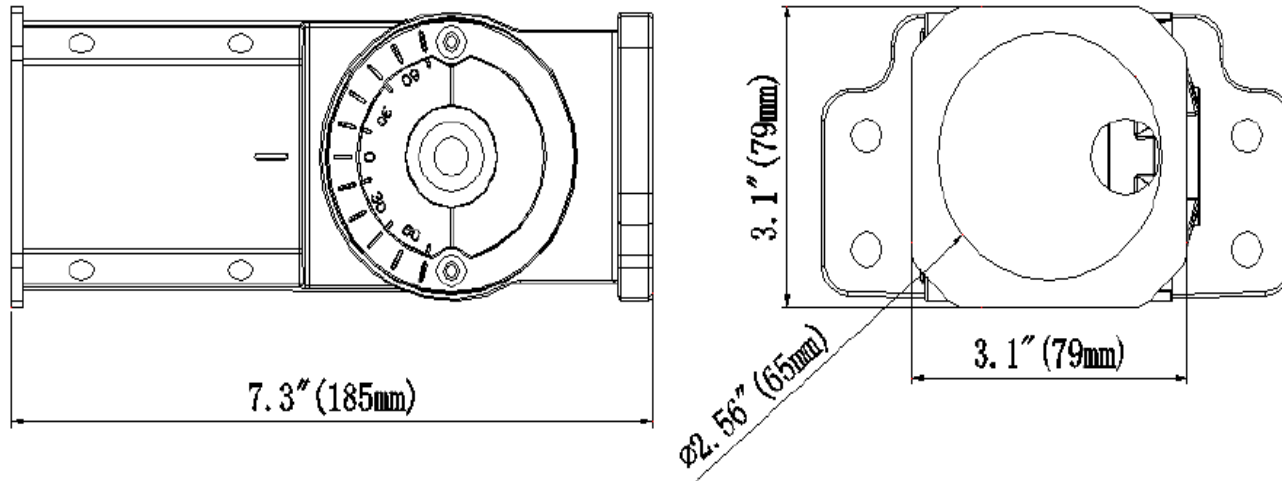


300W SHOEBOX/AREA LIGHT

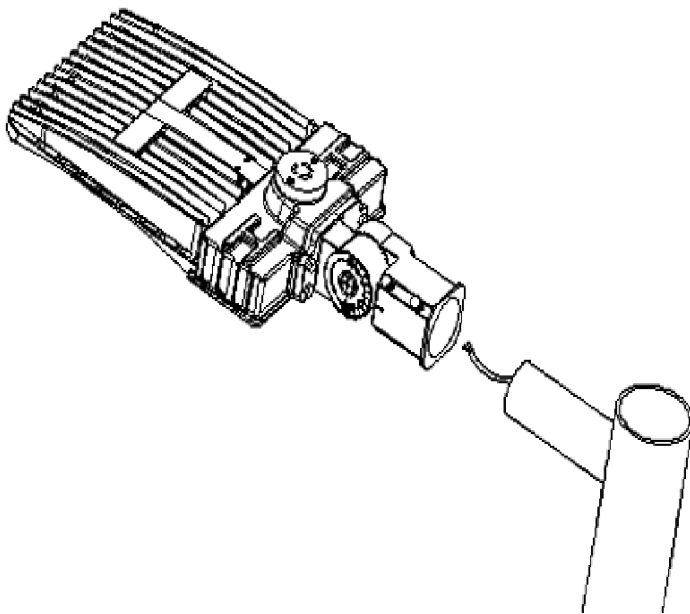
Versatile LED Shoebox fixture light with a 135 lumen per watt plus output is one of the most cost effective flood/area light on the market today. Comes Standart 2" Fitter Arm, Optional 1-10v dimmable/ Photocell Sensor.

Mounting Instructions

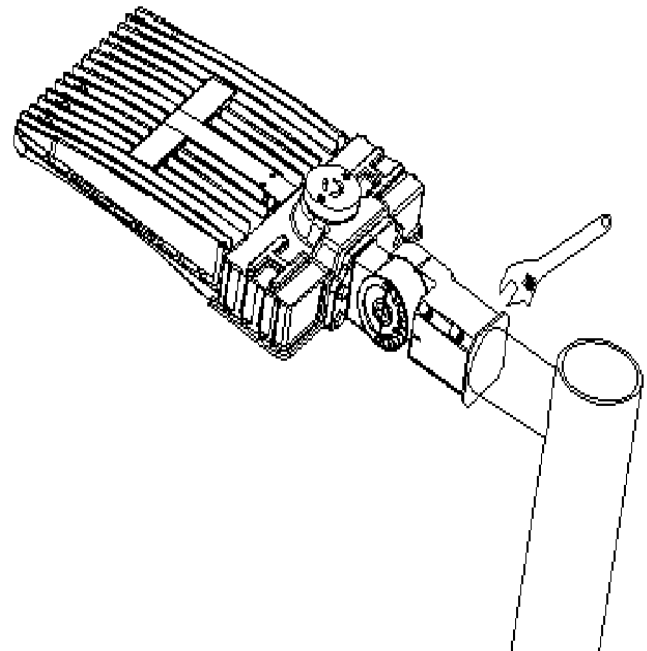
Knuckle/ Slip Fitter Arm



Step 1 Connect the AC wire, and then insert the arm of the slip fitter to the pole



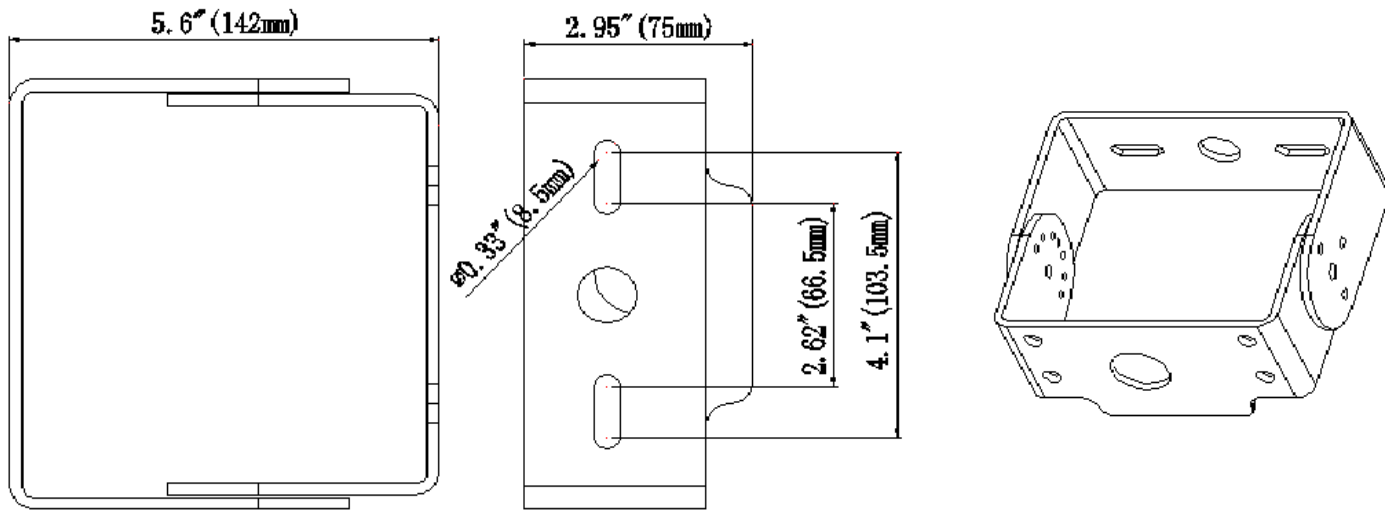
Step 2 Tighten the screws on the side of the arm and then power on.



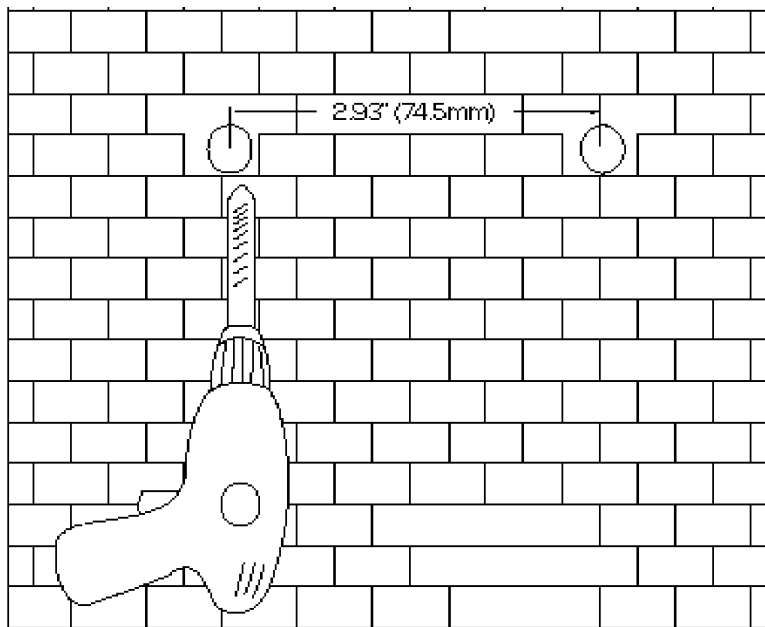
300W SHOEBOX/AREA LIGHT

Versatile LED Shoebox fixture light with a 135 lumen per watt plus output is one of the most cost effective flood/area light on the market today. Comes Standart 2" Fitter Arm, Optional 1-10v dimmable/ Photocell Sensor.

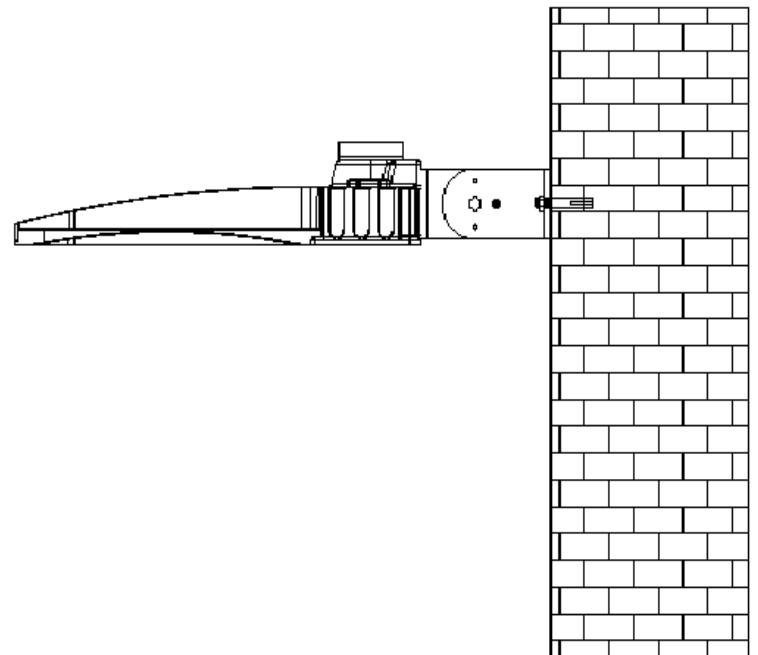
Yoke Mount



Step 1 Drill two holes on the wall corresponding to the holes on the trunnion, and knock expansion screws into the holes.



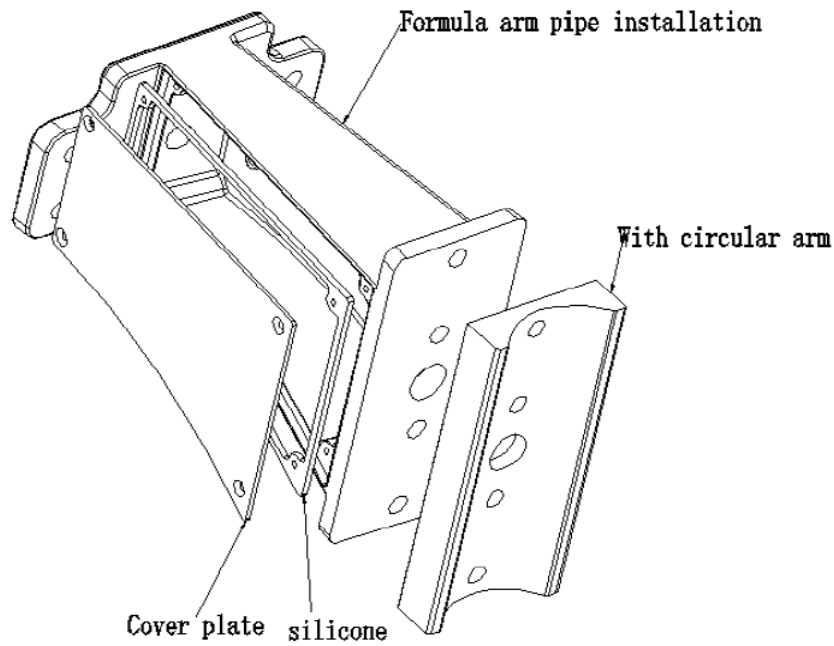
Step 2 Use the nuts to fix the fixture to the wall aiming at the expansion screws, and adjust angle of the bracket and tighten the small screw on the side,



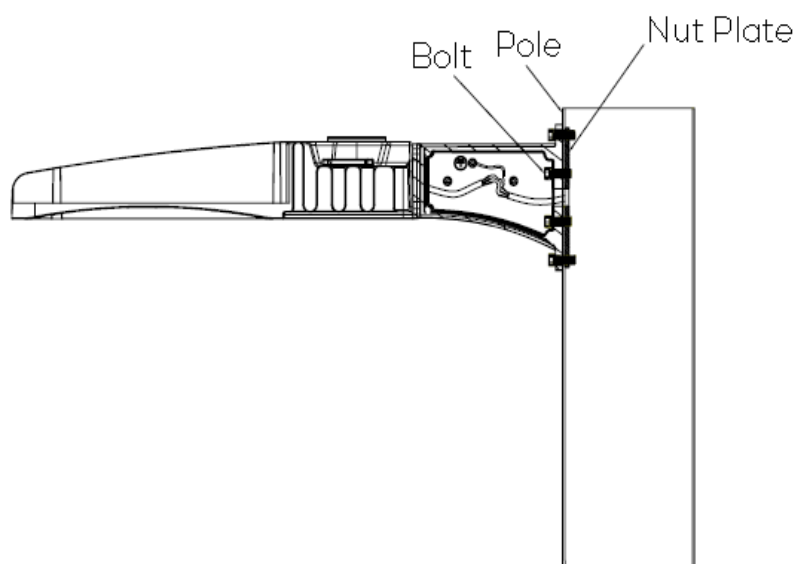
300W SHOEBOX/AREA LIGHT

Versatile LED Shoebox fixture light with a 135 lumen per watt plus output is one of the most cost effective flood/area light on the market today. Comes Standard 2" Fitter Arm, Optional 1-10v dimmable/ Photocell Sensor.

Arm Mounting for Square Pole



Step 1 Drill holes on the square pole corresponding to the holes on the arm, and use the bolt and nut plate to fix the fixture to the pole tightly



Step 2 Connect the AC wire of the fixture and tighten the water-proof gasket and cover plate on the arm by

