



TYPE D



TYPE C



NAME: LED Flood Light

P/N: S-G04-100WAT3A1-aaK[all colors][P;Blank][S;Blank][C;D]

Note: "aa" in P/N represents CCT, can be 40,50,57.

[all colors]:Lamp Body Color

[P;Blank]: Photocell or none

[S;Blank]: Surge protector or none

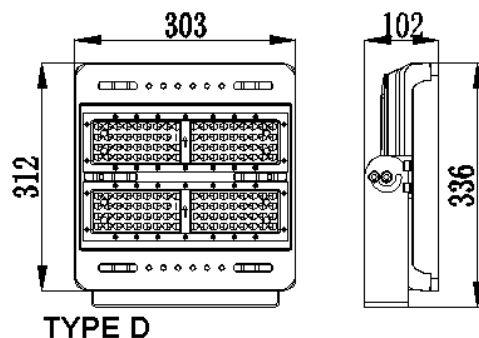
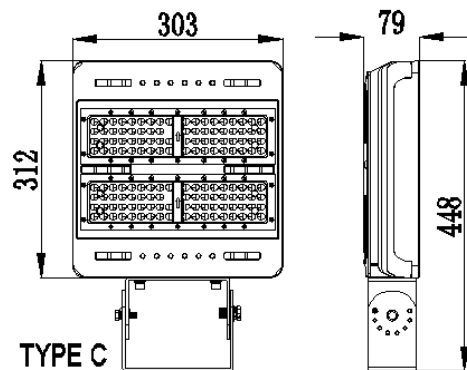
[C;D]:Bracket Type.

Advantage:

- UL cUL DLC certificate
- LUMILEDS Chip, high CRI
- IP65 driver,input voltage 100-277VAC
- No UV or IR in the beam
- Easy to install and operate
- Energy saving, long lifespan
- Light is soft and uniform, safe to eyes
- Instant start, NO flickering, NO humming
- Green and eco-friendly without mercury.

Application:

- Factory floor, libraries, square, park;
- Supermarkets, railway stations;
- Advertising lighting, etc.



TECHNICAL DATA SHEET

Product Specifications

Product Name	LED Flood Light	
Light Type	S-G04-100WAT3A1	
Stent type	TYPE C	TYPE D
Dimension	448*303*79mm	336*303*102mm

Technical Characteristic

Color temperature	4000K、5000K、5700K
CRI	>70
Lumen	12000-12800 LM
Lumen Efficacy	122-130 LM/W
Input Power	100W
Viewing Angle	150*85 Degree (Type III)
Input Voltage	100-277V 50/60Hz
Driver model	China Brand Driver
PF	>0.9
Waterproof Rating	IP65

Materials

LED Brand	LUMILEDS
LED Type	LUXEON 3030 2D (1.5W)
LED QTY	112PCS
Housing	Aluminum Alloy
Housing color	Black or Other Color
Optional Accessory	Photocell / Surge protector
Operating Temperature	-40°C TO 45°C
Operating Humidity	10%-90% RH
Storage Temperature	-40°C TO 80°C

Others

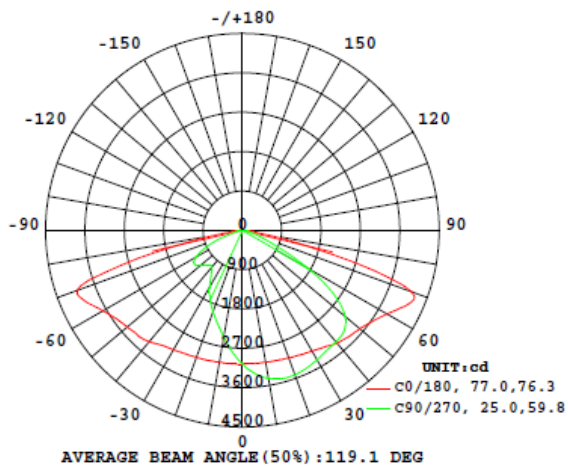
Storage Humidity	10%-95%
Application	Outdoor
Safety Certification	UL、cUL、DLC
Warranty Time	5 Years

TECHNICAL DATA SHEET

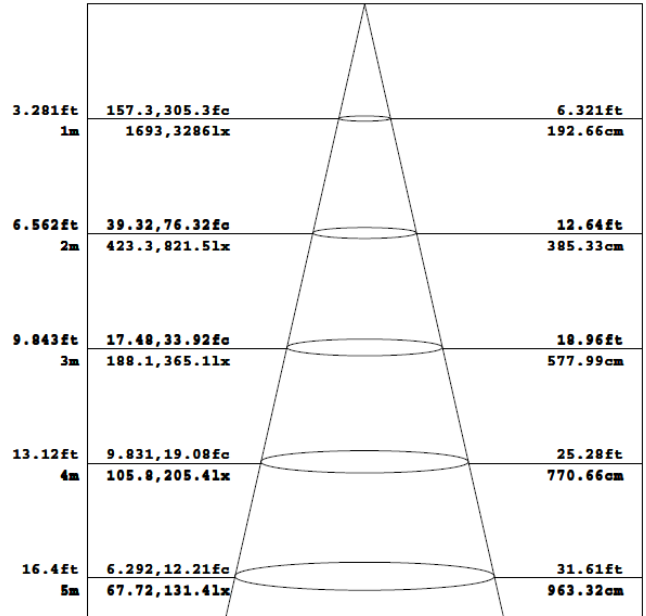
Light Distribution Testing Parameters

DATA OF LAMP		PHOTOMETRIC DATA Eff: 125.52 lm/W			
MODEL		I _{max} (cd)	5324	S/MH (C0/180)	1.64
NOMINAL POWER (W)	100	LOR (%)	100.0	S/MH (C90/270)	0.80
RATED VOLTAGE (V)	120	TOTAL FLUX (lm)	12292	η UP, DN (C0-180)	0.1, 66.1
NOMINAL FLUX (lm)	12292.3	CIE CLASS	DIRECT	η UP, DN (C180-360)	0.1, 33.7
LAMPS INSIDE	1	η up (%)	0.2	CIBSE SHR NOM	1.50
TEST VOLTAGE (V)	120.0	η down (%)	99.8	CIBSE SHR MAX	1.55

LUMINOUS INTENSITY DISTRIBUTION DIAGRAM



Flux out: 4960 lm

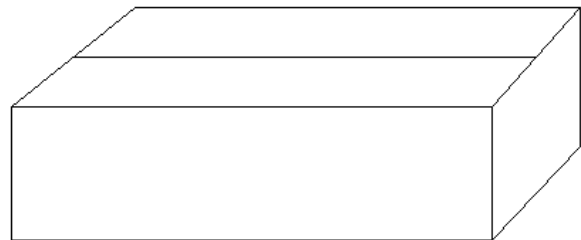
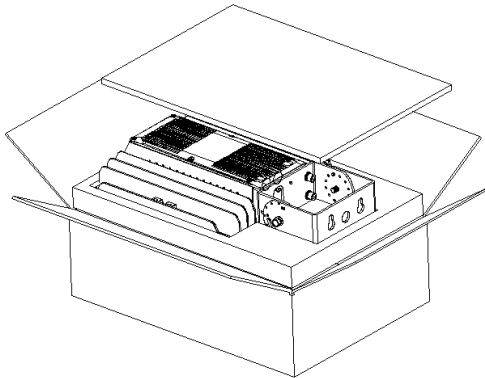


Note: The Curves indicate the illuminated area and the average illumination when the luminaire is at different distance.

TECHNICAL DATA SHEET

Package

Stent type	Lamps Net Weight	Size	Qty/Carton	Weight/Carton
TYPE C	5.7 KG	560X360X155MM	1	6.7 KG
TYPE D	5.6 KG	395X360X155MM	1	6.5 KG



Notice For User

- ◆ Please turn off power before install or change assembly parts.
- ◆ The input voltage and lamps should be matched, after connecting the power line, Please make sure the wiring section is insulated.
- ◆ No-professionals, must not install and disassemble the lamps.

Trouble Shootings

Troubles	Check points
Flickering of the light	Turn off the power and turn on again in 3 minutes. If same phenomena occur, then call agencies.
Out of working	Please check the connection.