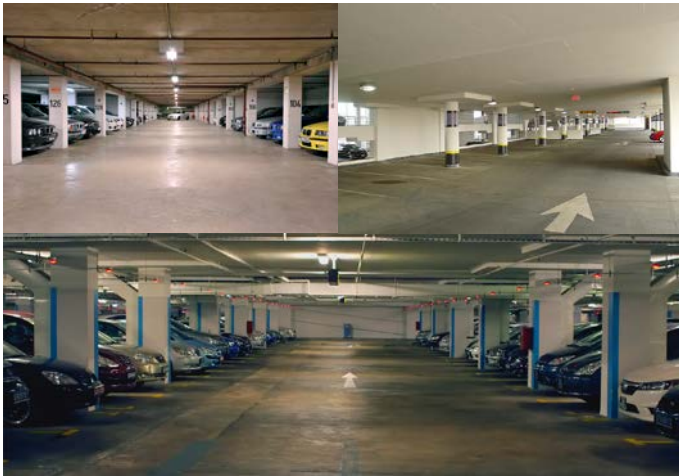




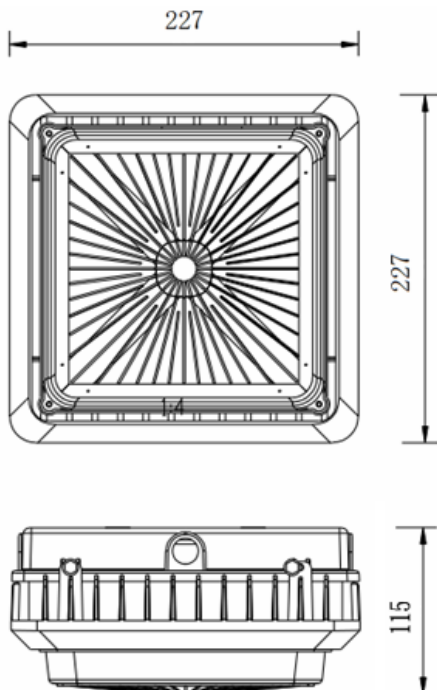
P/N: PG02-40WAANA1-aaK

Note:

- PG02 = Product series, LED Parking Garage Light
- 40W = Rating Power, 40W
- The first A = Hongli 2835
- The second A = Diffuser cover type, A represent Stripe PC cover
- N = The lens have no reflector
- A1 = Version number
- aaK = CCT, 40K=4000K, 45K=4500K, 50K=5000K, 57K=5700K



DIMENSIONS



ADVANTAGE

- UL cUL DLC certificate.
- IP65 Internal driver, Input voltage 100-277Vac.
- Output constant current lever can be adjusted through output cable with 0-10V.
- No UV or IR in the beam.
- Easy to install and operate.
- Energy saving, Long lifespan.
- Light is soft and uniform, Safe to eyes.
- Instant start, NO flickering, NO humming.
- Green and eco-friendly without mercury.

APPLICATION

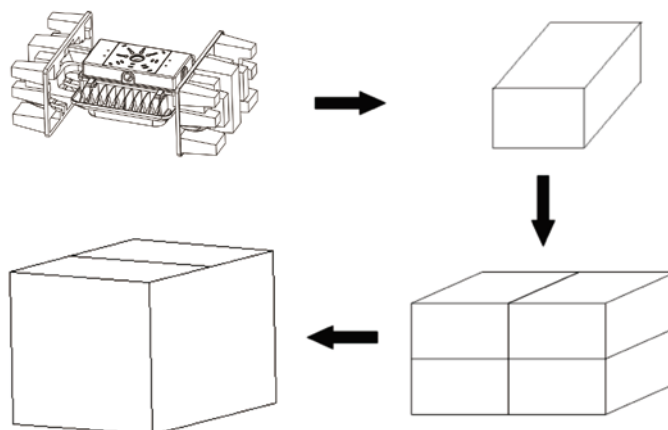
- Widely used in underground parking lot, garage and so on..

SPECIFICATIONS

OPTICAL	Input Power	40W
	Lumen	5100-5300 LM
	Lumen Efficacy	126-132 LM/W
	Color Temperature	4000K, 4500K, 5000K, 5700K
	CRI	>80
	Viewing Angle	160°
ELECTRICAL	Input Voltage	100-277VAC 50/60Hz
	PF	≥0.9
	THD	≤20%
	Driver Brand	China Brand Driver
	Optional Accessory	Motion sensor, Surge Protective Device
MATERIALS	LED Type	SMD2835 (0.5W)
	LED QTY	120 PCS
	Housing	Aluminum + PC
	Housing Color	White
	Cover	Stripe PC Cover
	Waterproof Rating	WET (IP65)
OTHERS	Operating Temperature	-20°C TO 45°C
	Operating Humidity	20%-90% RH
	Storage Temperature	-30°C TO 80°C
	Storage Humidity	10%-95% RH
	Warranty Time	5 Years

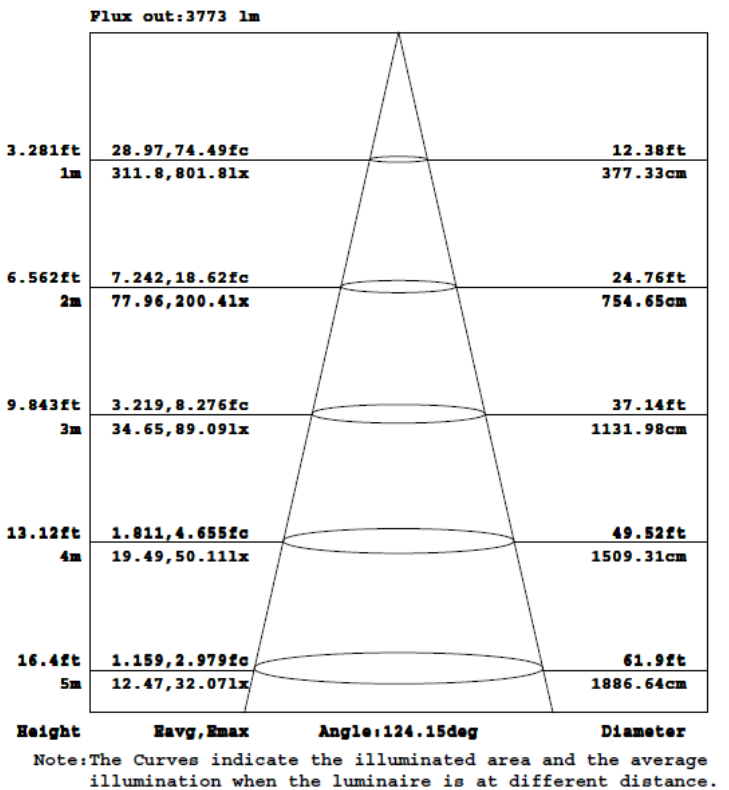
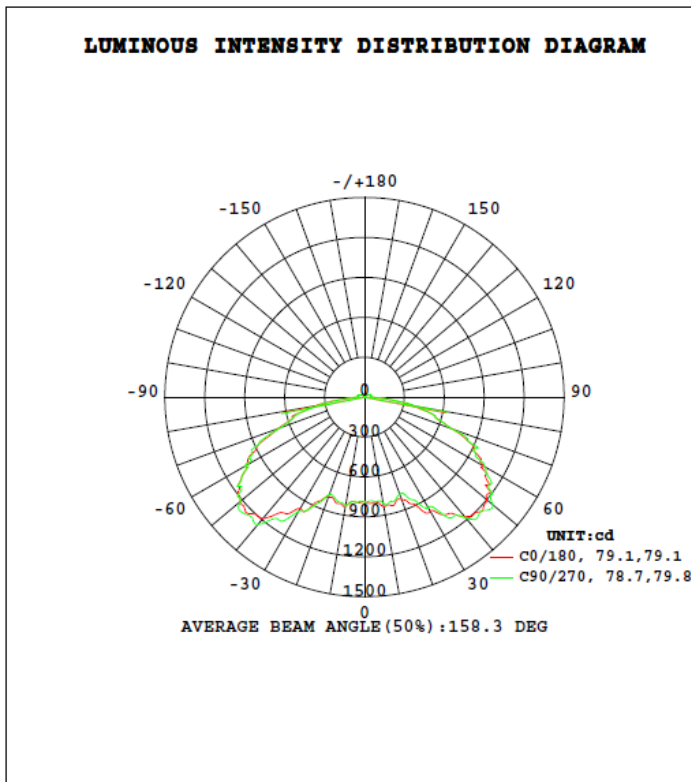
Package**Lamp Net Weight: 1.9 KG / PC**

	Size	Qty / Carton	Gross Weight / Carton
Inner box	280*270*175 MM	1 PC	2.3 KG
Outer box	560*370*300 MM	4 PCS	10.2 KG



LIGHT DISTRIBUTION TESTING PARAMETERS

DATA OF LAMP		PHOTOMETRIC DATA Eff: 130.78 lm/W			
MODEL		I _{max} (cd)	1353	S/MH (C0/180)	2.10
NOMINAL POWER (W)	40	LOR (%)	100.0	S/MH (C90/270)	2.10
RATED VOLTAGE (V)	120	TOTAL FLUX (lm)	5368.6	η UP, DN (C0-180)	1.9, 48.3
NOMINAL FLUX (lm)	5368.57	CIE CLASS	DIRECT	η UP, DN (C180-360)	1.8, 48.0
LAMPS INSIDE	1	η up (%)	3.7	CIBSE SHR NOM	2.00
TEST VOLTAGE (V)	120.0	η down (%)	96.3	CIBSE SHR MAX	0.00



NOTICE FOR USER

- Please turn off power before install or change assembly parts.
- The input voltage and lamps should be matched, after connecting the power line, Please make sure the wiring section is insulated.
- No-professionals, must not install and disassemble the lamps.

TROUBLE SHOOTINGS

Troubles	Check points
Flickering of the light	Turn off the power and turn on again in 3 minutes. If same phenomena occur, then call agencies.
Out of working	Please check the connection.