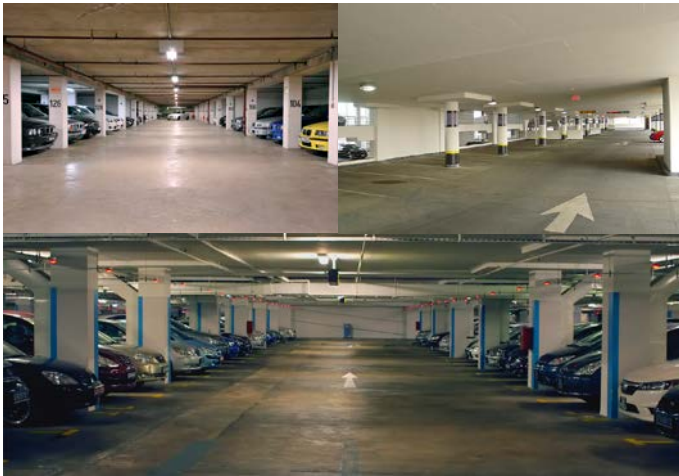




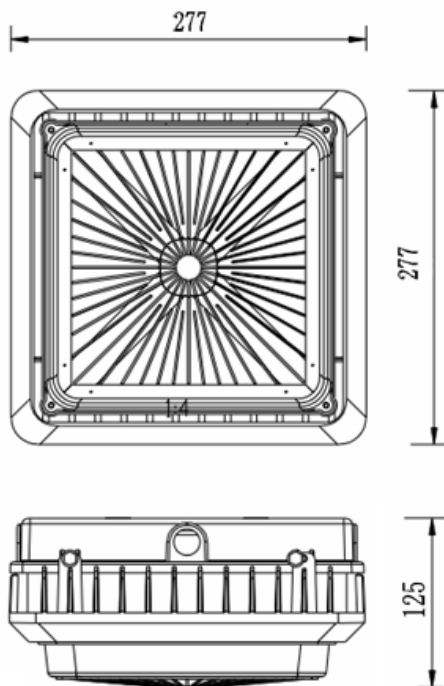
P/N: PG02-100WAANA1-aaK

Note:

PG02 = Product series, LED Parking Garage Light
 100W = Rating Power, 100W
 The first A = Hongli 2835
 The second A = Diffuser cover type, A represent Stripe PC cover
 N = The lens have no reflector
 A1 = Version number
 aaK = CCT, 40K=4000K, 45K=4500K, 50K=5000K, 57K=5700K



DIMENSIONS



ADVANTAGE

- UL cUL DLC certificate.
- IP65 Internal driver, Input voltage 100-277Vac.
- Output constant current lever can be adjusted through output cable with 0-10V.
- No UV or IR in the beam.
- Easy to install and operate.
- Energy saving, Long lifespan.
- Light is soft and uniform, Safe to eyes.
- Instant start, NO flickering, NO humming.
- Green and eco-friendly without mercury.

APPLICATION

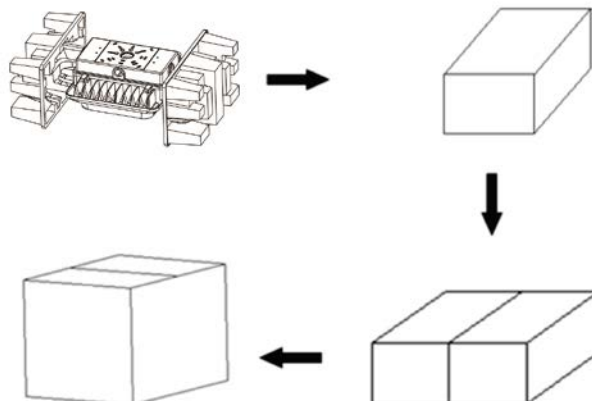
- Widely used in underground parking lot, garage and so on..

SPECIFICATIONS

| | | |
|-------------------|-----------------------|--|
| OPTICAL | Input Power | 100W |
| | Lumen | 12600-13300 LM |
| | Lumen Efficacy | 126-132 LM/W |
| | Color Temperature | 4000K, 4500K, 5000K, 5700K |
| | CRI | >80 |
| | Viewing Angle | 160° |
| ELECTRICAL | Input Voltage | 100-277VAC 50/60Hz |
| | PF | ≥0.9 |
| | THD | ≤20% |
| | Driver Brand | China Brand Driver |
| | Optional Accessory | Motion sensor, Surge Protective Device |
| MATERIALS | LED Type | SMD2835 (0.5W) |
| | LED QTY | 300 PCS |
| | Housing | Aluminum + PC |
| | Housing Color | White |
| | Cover | Stripe PC Cover |
| | Waterproof Rating | WET (IP65) |
| OTHERS | Operating Temperature | -20°C TO 45°C |
| | Operating Humidity | 20%-90% RH |
| | Storage Temperature | -30°C TO 80°C |
| | Storage Humidity | 10%-95% RH |
| | Warranty Time | 5 Years |

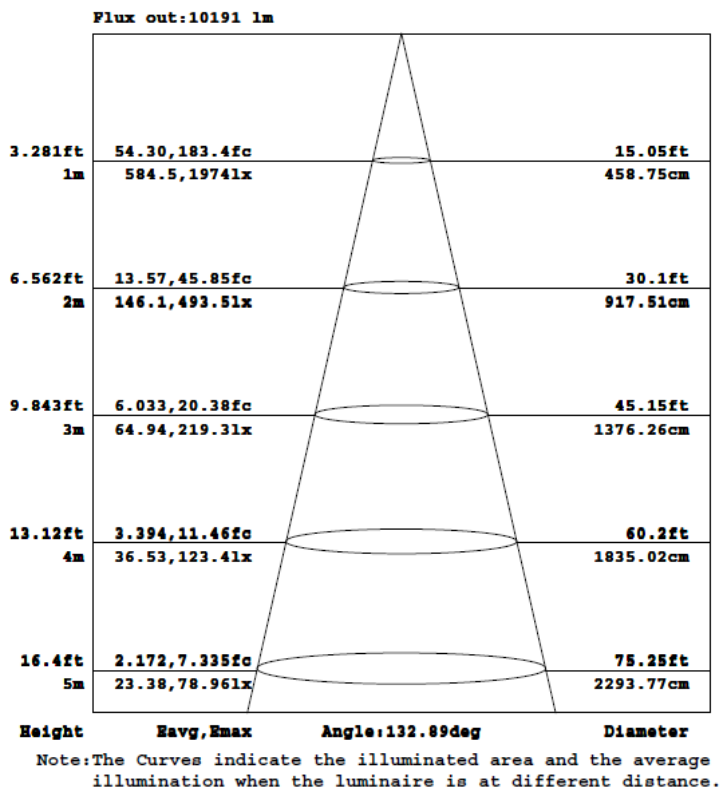
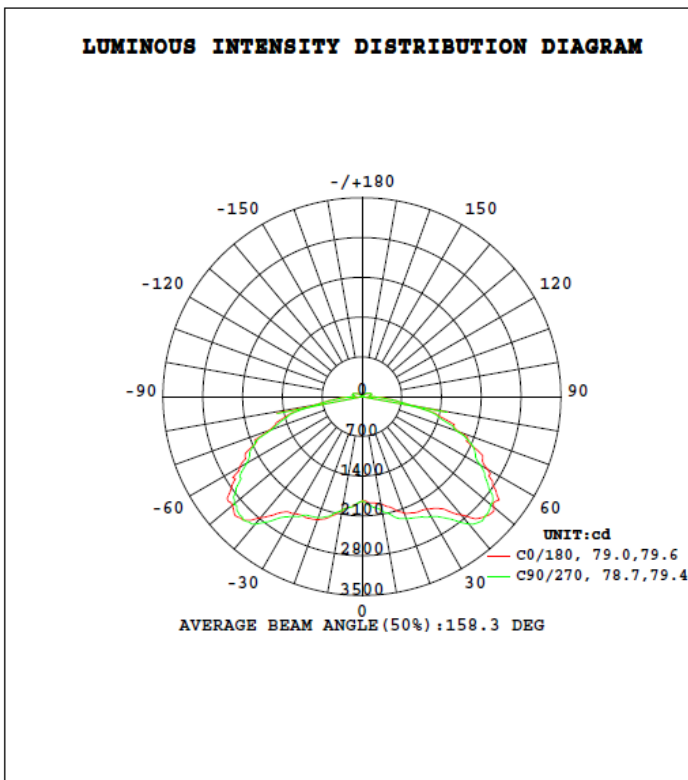
Package**Lamp Net Weight: 3.2 KG / PC**

| | Size | Qty / Carton | Gross Weight / Carton |
|-----------|----------------|--------------|-----------------------|
| Inner box | 305*300*185 MM | 1 PC | 3.7 KG |
| Outer box | 390*315*325 MM | 2 PCS | 8.2 KG |



LIGHT DISTRIBUTION TESTING PARAMETERS

| DATA OF LAMP | | PHOTOMETRIC DATA Eff: 130.52 lm/W | | | |
|-------------------|---------|--|--------|---------------------|-----------|
| MODEL | | I _{max} (cd) | 3483 | S/MH (C0/180) | 2.13 |
| NOMINAL POWER (W) | 100 | LOR (%) | 100.0 | S/MH (C90/270) | 2.08 |
| RATED VOLTAGE (V) | 120 | TOTAL FLUX (lm) | 13300 | η UP, DN (C0-180) | 2.3, 48.1 |
| NOMINAL FLUX (lm) | 13299.8 | CIE CLASS | DIRECT | η UP, DN (C180-360) | 2.3, 47.4 |
| LAMPS INSIDE | 1 | η up (%) | 4.6 | CIBSE SHR NOM | 2.00 |
| TEST VOLTAGE (V) | 120.0 | η down (%) | 95.4 | CIBSE SHR MAX | 0.00 |



NOTICE FOR USER

- Please turn off power before install or change assembly parts.
- The input voltage and lamps should be matched, after connecting the power line, Please make sure the wiring section is insulated.
- No-professionals, must not install and disassemble the lamps.

TROUBLE SHOOTINGS

| Troubles | Check points |
|-------------------------|--|
| Flickering of the light | Turn off the power and turn on again in 3 minutes. If same phenomena occur, then call agencies. |
| Out of working | Please check the connection. |