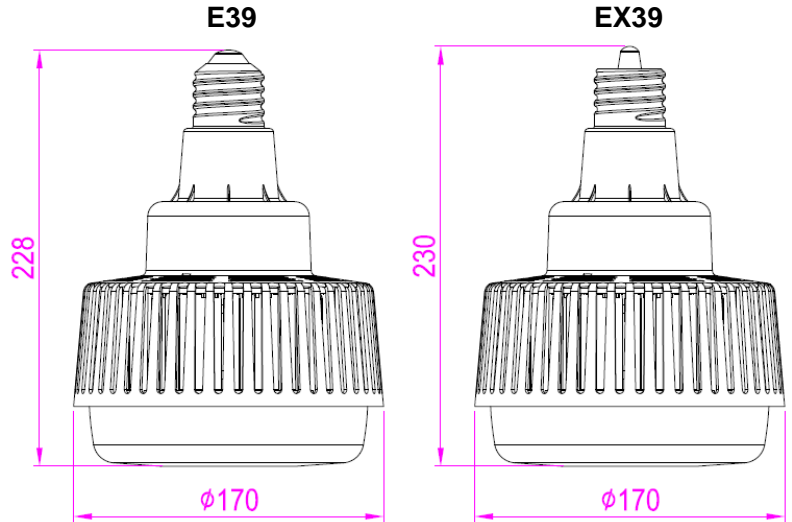


# TECHNICAL DATA SHEET



NAME: LED High Bay Corn Light

P/N: CLWHB01-60WAF1Z-aaK

Note: 1. The Letter Z in P/N stands for Lamp base type , “-E” for E39 lamp base, “-EX”for EX39 lamp base.  
2. "aa" in P/N stands for CCT, can be 40, 45, 50, 57.

## Advantage:

- UL cUL DLC certificate.
- E39 EX39 lamp base.
- Internal driver, input voltage AC100-277V.
- New grid design, fin structure, good ventilation and heat dissipation effect.
- Excellent heat-resistant driver, offering continuous and stable lighting.

## Application:

- ◆ Replacement Lamps for Low Bay Luminaires (UL Type B)

# TECHNICAL DATA SHEET

## Product Specifications

Product name	LED High Bay Corn Light	
Part No	CLWHB01-60WAF1-E-aaK	CLWHB01-60WAF1-EX-aaK
Lamp Base	E39	EX39
Dimension	Φ170*228 MM	Φ170*230 MM

## Technical Characteristic

Color temperature	4000K / 4500K / 5000K / 5700K
CRI	>80
Cover	Frosted
Lumen-In Luminaires	6300-6800 LM
Lumen Efficacy-In Luminaires	105-113 LM/W
Input Power	60 W
Viewing Angle	120 degree
Input Voltage	AC100-277V 50/60Hz
PF	>0.9
Equivalent	120W CFL, 175W MHL/HPS/HID
Waterproof Rating	IP51

## Materials

LED Type	SMD2835 (0.5W)
LED QTY	288 PCS
Housing	PC + AL
Housing color	White + Grey

## Others

Operating Temperature	-20°C TO 45°C
Operating Humidity	20%-70% RH
Storage Temperature	-30°C TO 80°C
Storage Humidity	10%-75% RH
Application	Indoor / Outdoor
Safety Certification	UL cUL DLC
Warranty Time	5 Years

# TECHNICAL DATA SHEET

## Light Distribution Testing Parameters

Remark: The testing data comes from the product in luminaires.

## Luminaire Property

Luminaire Manufacturer:

Voltage: 119.9 V

Power: 55.51 W

Current: 0.4666 A

Power Factor: 0.9913

## Photometric Results

IES Classification: Type II

Total Rated Lamp Lumens: 6658 lm

Efficiency: 100%

Upward Ratio: 2%

Central Intensity: 2106.74 cd

Pos of Max. Intensity: H180 V1

Longitudinal Classification: Very Short

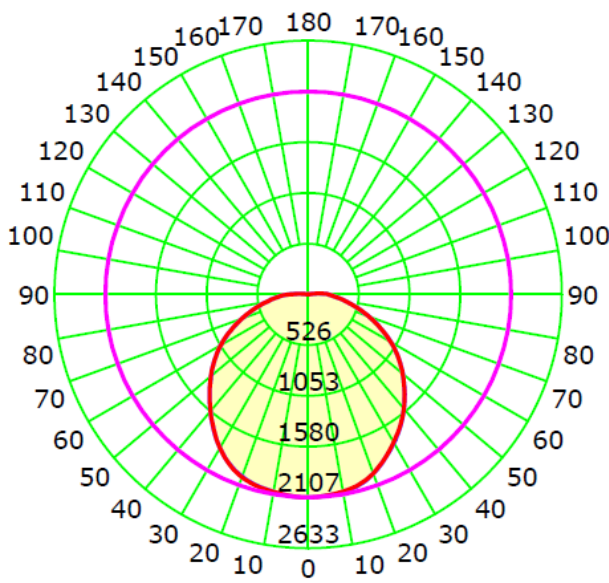
Measurement Flux: 6658 lm

Downward Ratio: 98%

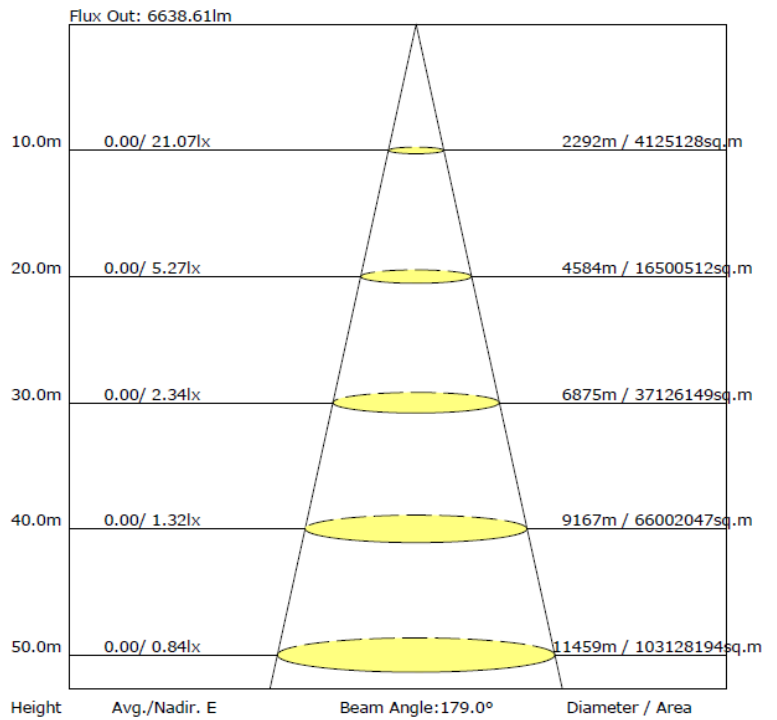
Luminaire Efficacy Rating (LER): 119.94

Max. Intensity: 2107.02 cd

Luminous Intensity Distribution Curve



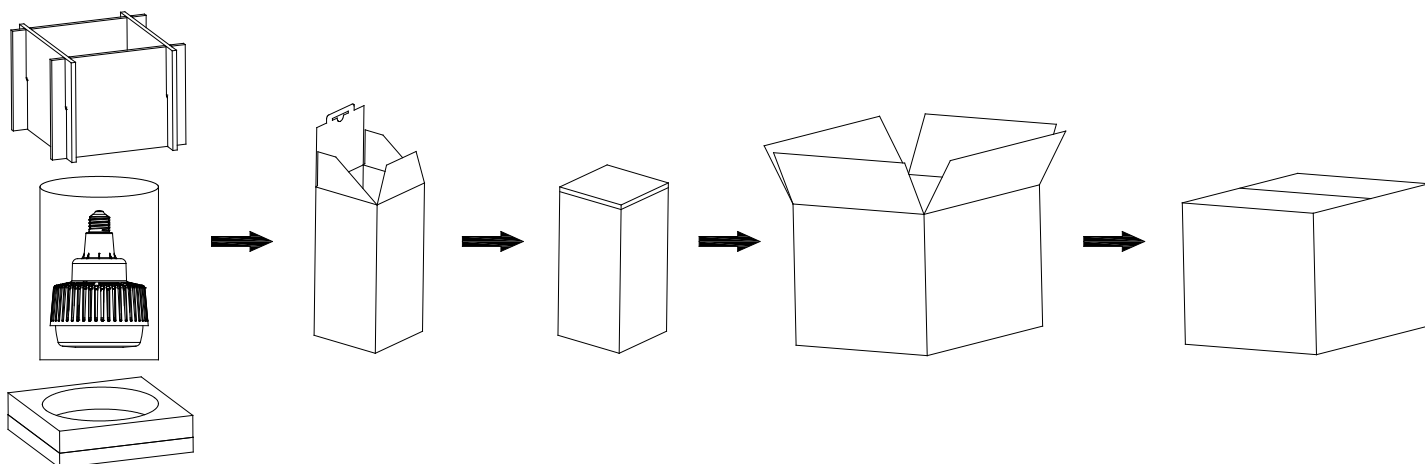
The Average Illuminance Effective Figure



# TECHNICAL DATA SHEET

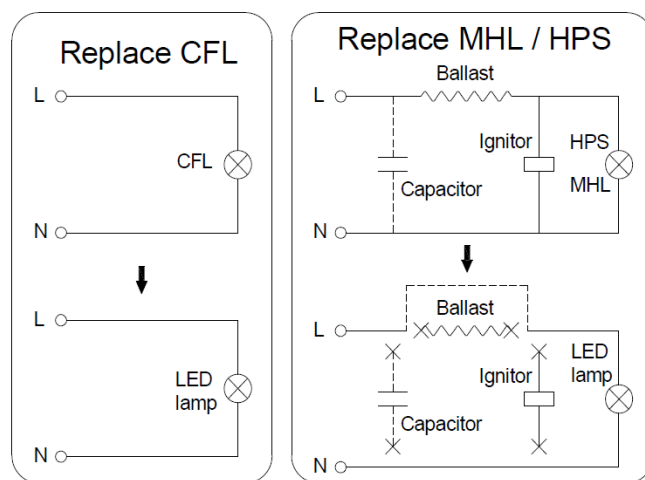
## Package

	Size	Qty / Carton	Net Weight / Carton	Gross Weight / Carton
<b>Inner box</b>	190*190*265 MM	1 PC	0.98 KG	1.25 KG
<b>Outer box</b>	590*400*285 MM	6 PCS	5.9 KG	8.8 KG



## Notice For User

- ◆ Please turn off power before install or change assembly parts.
- ◆ The input voltage and lamps should be matched, after connecting the power line, please make sure the wiring section is insulated.
- ◆ Make sure to remove or bypass the ballast in the fixtures before install the lamps.
- ◆ Suitable for damp locations. Do not use with dimmers.
- ◆ No-professionals, must not install and disassemble the lamps.



## Trouble Shootings

Troubles	Check points
Flickering of the light	Turn off the power and turn on again in 3 minutes. If same phenomena occur, then call agencies.
Out of working	Please check the connection.