



P/N :GS02-100WF**AT1**F1-**abcde**

Note:

GS02 = Product series,LED Garden Light

100W = Rating Power

F= Driver manufacturer, FAHOLD

A = LED manufacturer, Hongli 2835

T1 = Diffuser light angle type, 60°

F1 = Version number

a= Housing colors, BH = Black、WH=White、BR=Brown、  
or Customized

b= P or blank        represent Photocell or None Photocell

c= S or blank

represent Surge protector or None Surge protector

d= M or None

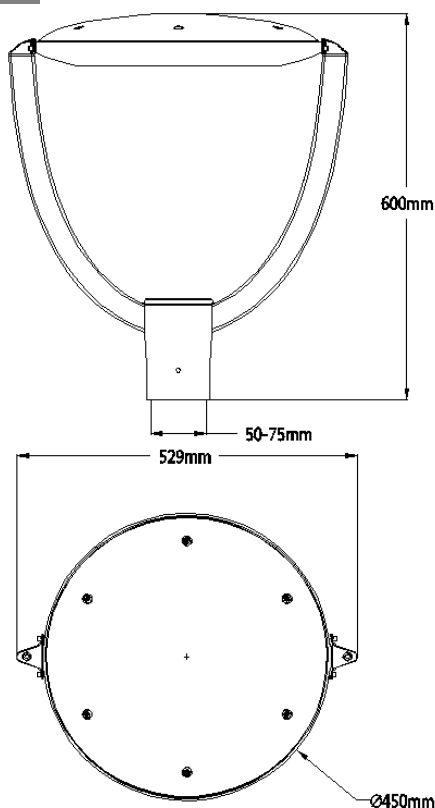
represnet Motionsensor or None Motionsensor

e = CCT, 40=4000K, 45=4500K,

50=5000K, 57=5700K



## DIMENSIONS



## ADVANTAGE

- UL cUL certificate.
- IP65 driver, input voltage 100-277VAC.
- No UV or IR in the beam.
- Easy to install and operate.
- Energy saving, long lifespan.
- Light is soft and uniform, safe to eyes.
- Instant start, NO flickering, NO humming.
- Green and eco-friendly without mercury.

## APPLICATION

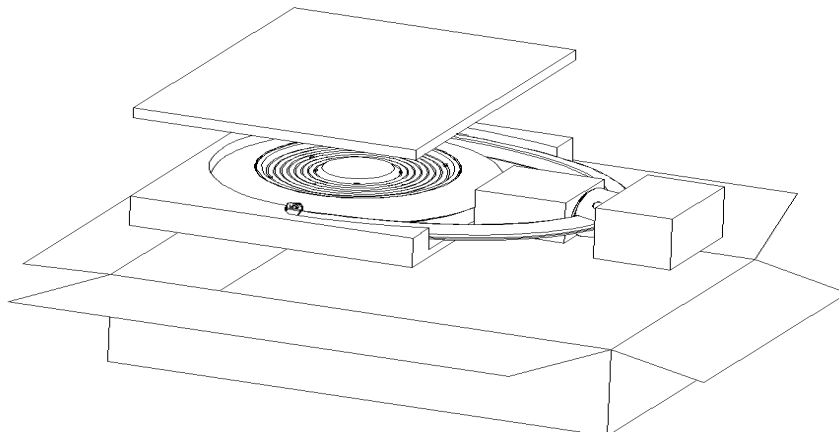
- ◆ City Slow Lane、Narrow Lane,
- ◆ Residential Area, Plaza,
- ◆ Sightseeing Area, Village Road and so on.

## SPECIFICATIONS

<b>OPTICAL</b>	Input Power	100W
	Lumen	11800 -12800LM
	Lumen Efficacy	118-128 LM/W
	Color Temperature	4000K, 4500K, 5000K, 5700K
	CRI	>80
	Viewing Angle	60Degree
<b>ELECTRICAL</b>	Input Voltage	100-277VAC 50/60Hz
	PF	≥0.9
	THD	≤20%
	Driver Model	China Brand Driver
<b>MATERIALS</b>	LED Type	SMD2835 (0.5W)
	LED QTY	315 PCS
	Housing	Aluminum Alloy
	Housing Color	Black、White、Brown、 or Customized
	Cover	PC lens
	Waterproof Rating	WET (IP65)
<b>OTHERS</b>	Operating Temperature	-20℃ TO 45℃
	Operating Humidity	20%-90% RH
	Storage Temperature	-30℃ TO 80℃
	Storage Humidity	10%-95% RH
	Warranty Time	5 Years

## PACKAGE

	Size	Qty / Carton	Net Weight / Carton	Gross Weight / Carton
Outer box	835 x 585 x155 mm	1 PCS	6.5 KG	8.5 KG



## LIGHT DISTRIBUTION TESTING PARAMETERS

### Luminaire Property

Luminaire Manufacturer:  
Voltage: 120.6 V  
Power: 99.19 W

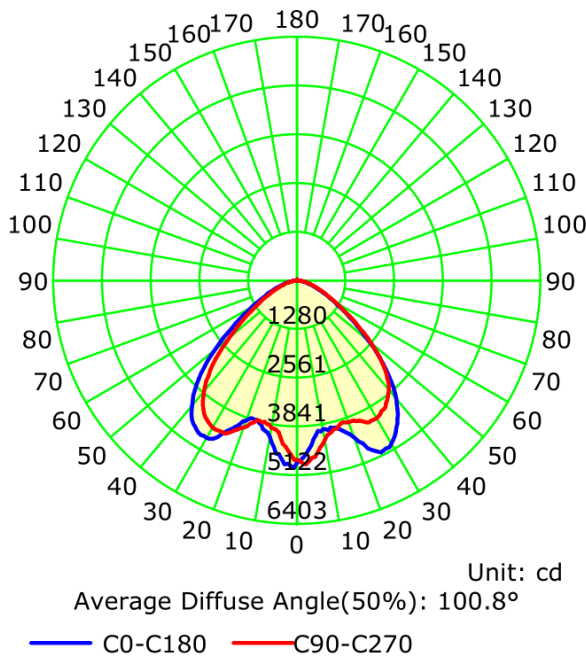
Current: 0.835 A  
Power Factor: 0.997

### Photometric Results

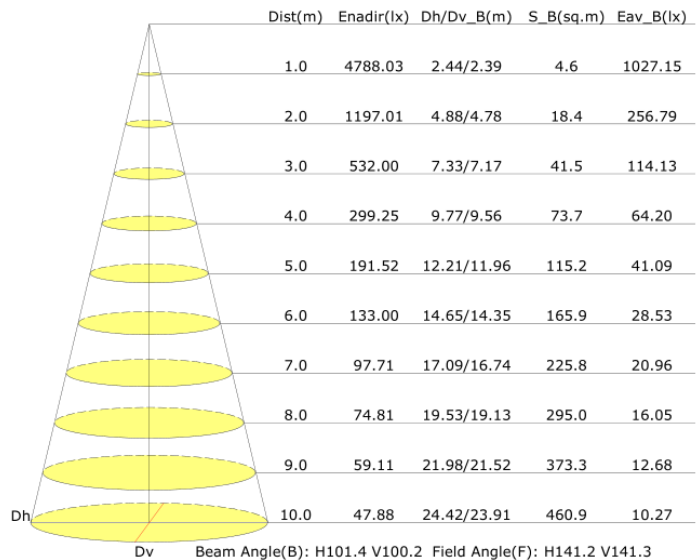
IES Classification: Type II  
Total Rated Lamp Lumens: 11909.2 lm  
Efficiency: 100%  
Upward Ratio: 1%  
Central Intensity: 4788.03 cd  
Pos of Max. Intensity: H315 V24

Longitudinal Classification: Very Short  
Measurement Flux: 11909.2 lm  
Downward Ratio: 99%  
Luminaire Efficacy Rating (LER): 120.11  
Max. Intensity: 5122.65 cd

Luminous Intensity Distribution Curve



Illuminance at a Distance



### NOTICE FOR USER

- Please turn off power before install or change assembly parts.
- The input voltage and lamps should be matched, after connecting the power line, Please make sure the wiring section is insulated.
- No-professionals, must not install and disassemble the lamps.

### TROUBLE SHOOTINGS

Troubles	Check points
Flickering of the light	Turn off the power and turn on again in 3 minutes. If same phenomena occur, then call agencies.
Out of working	Please check the connection.