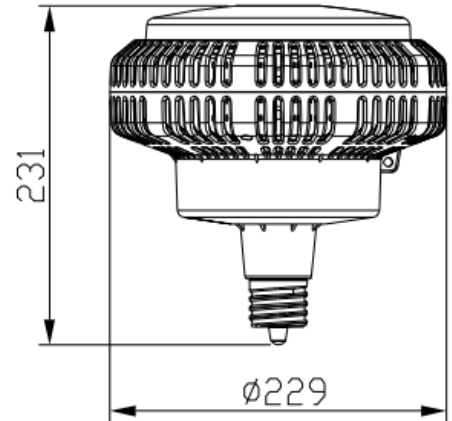
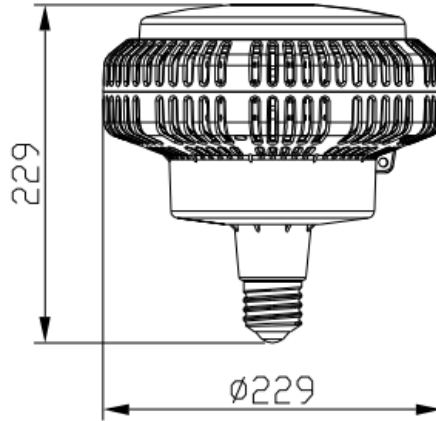


TECHNICAL DATA SHEET



E39

EX39



NAME: LED High Bay Corn Light

P/N: EHB02-150WACA1Z-aaK

Note: 1. The Letter Z in P/N stands for Lamp base type, “-E” for E39 lamp base, “-EX” for EX39 lamp base.
2. "aa" in P/N stands for CCT which can be any numbers.

Advantage:

- UL cUL DLC certificate.
- E39/EX39 lamp base.
- Internal driver, input voltage AC100-277V.
- Meet 4kV surge immunity level.
- New grid design, fin structure, good ventilation and heat dissipation effect.
- Excellent heat-resistant driver, offering continuous and stable lighting.
- Closed structure design for light source area, good dust-proof effect and anti-mosquito interference effect.



Application:

- ◆ Replacement Lamps for High Bay Luminaires (UL Type B)

TECHNICAL DATA SHEET

Product Specifications

Product name	LED High Bay Corn Light	
Part No	EHB02-150WACA1-E-aaK	EHB02-150WACA1-EX-aaK
Lamp Base	E39	EX39
Dimension	Φ229*229 MM	Φ229*231 MM

Technical Characteristic

Color temperature	4000K/5000K/5700K
CRI	>80
Cover	Clear
Lumen-In Luminaires	17647-18154LM
Lumen Efficacy-In Luminaires	122-126LM/W
Input Power	150 W
Viewing Angle	120 degree
Input Voltage	AC100-277V 50/60Hz
PF	>0.9
Equivalent	400W MHL/HPS/HID
Waterproof Rating	IP64

Materials

LED Brand	Lumileds
LED Type	SMD3030
LED QTY	189 PCS
Housing	PC + AL
Housing color	White / Other colors

Others

Operating Temperature	-2°C TO 45°C
Operating Humidity	20%-70% RH
Storage Temperature	-30°C TO 80°C
Storage Humidity	10%-75% RH
Application	Indoor / Outdoor
Safety Certification	UL cUL DLC
Warranty Time	5 Years

TECHNICAL DATA SHEET

Light Distribution Testing Parameters

Remark: The testing data comes from the product in luminaires.

Luminaire Property

Luminaire Manufacturer:

Voltage: 119.8 V

Power: 143.90 W

Current: 1.204 A

Power Factor: 0.996

Photometric Results

CIE Class: Direct

Measurement Flux: 17647.4 lm

Downward Ratio: 99%

Horizontal Diffuse Angle(10%,50%): H155.6,H111.9

Vertical Diffuse Angle(10%,50%): V155.7,V111.7

Luminaire Efficacy Rating (LER): 122.64

Max. Intensity: 6374.91 cd

S/MH(C0/C180): 1.24

Total Rated Lamp Lumens: 17647.4 lm

Efficiency: 100%

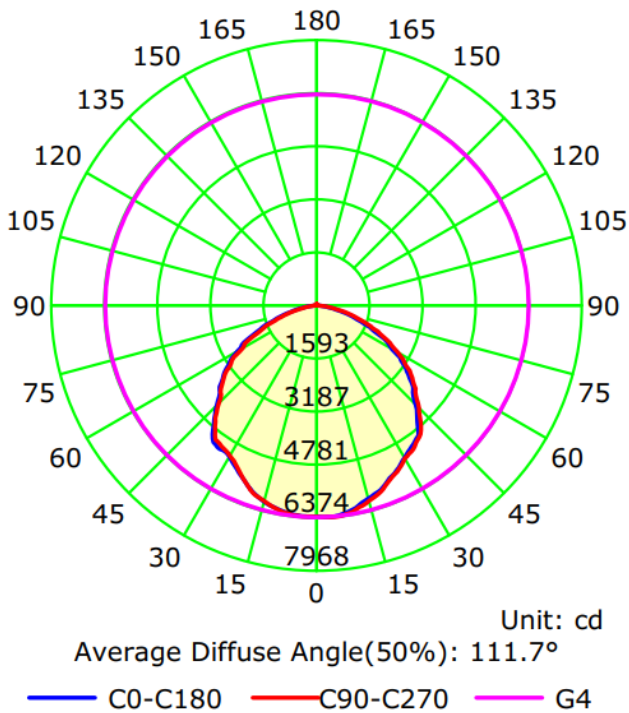
Upward Ratio: 1%

Central Intensity: 6347.31 cd

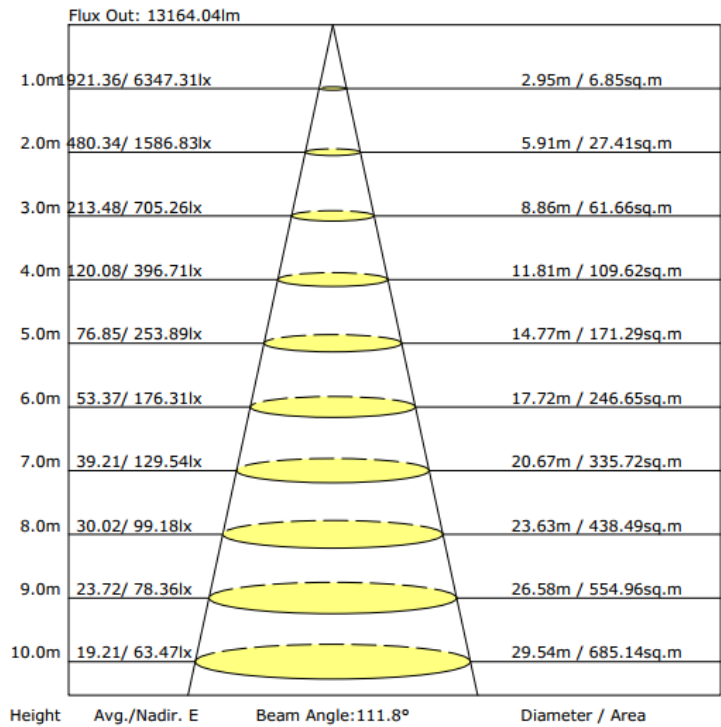
Pos of Max. Intensity: H90 V4

S/MH(C90/C270): 1.25

Luminous Intensity Distribution Curve



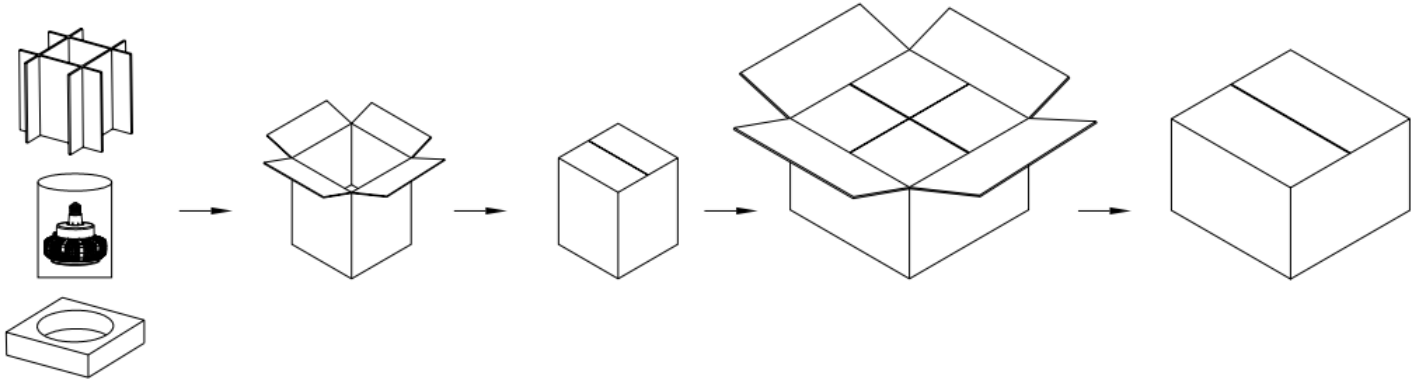
The Average Illuminance Effective Figure



TECHNICAL DATA SHEET

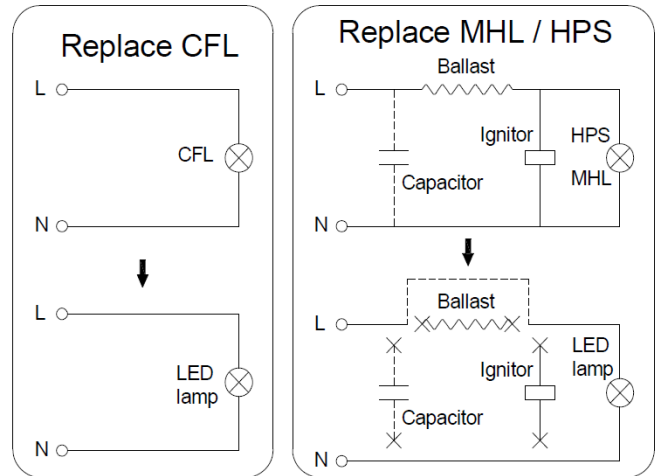
Package

	Size	Qty / Carton	Net Weight / Carton	Gross Weight / Carton
Inner box	255*255*270 MM	1 PCS	1.5 KG	1.9 KG
Outer box	530*530*290 MM	4 PCS	6.0 KG	9.0 KG



Notice For User

- ◆ Please turn off power before install or change assembly parts.
- ◆ The input voltage and lamps should be matched, after connecting the power line, please make sure the wiring section is insulated.
- ◆ Make sure to remove or bypass the ballast in the fixtures before install the lamps.
- ◆ This product does not apply to enclosed lamps.
- ◆ Suitable for damp locations. Do not use with dimmers.
- ◆ No-professionals, must not install and disassemble the lamps.



Trouble Shootings

Troubles	Check points
Flickering of the light	Turn off the power and turn on again in 3 minutes. If same phenomena occur, then call agencies.
Out of working	Please check the connection.