

TECHNICAL DATA SHEET



NAME: LED Canopy Light

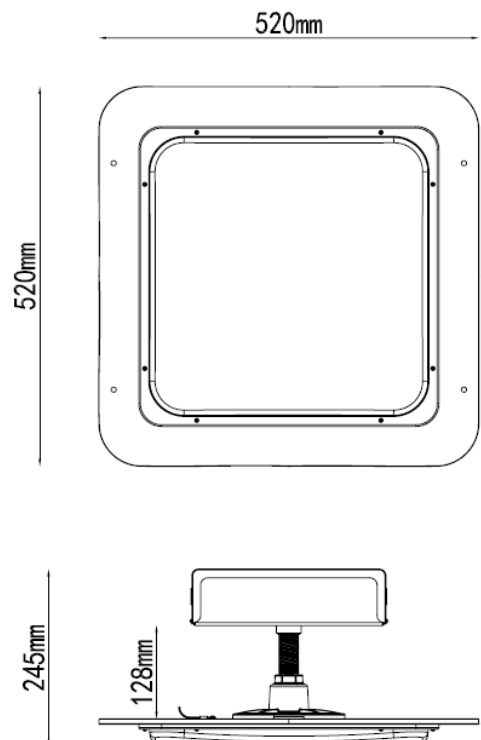
P/N: CP-240W-1421-1601

Advantage:

- UL cUL DLC certificate
- High CRI
- Mean Well IP65 driver, Input voltage 100-277Vac
- No UV or IR in the beam
- Easy to install and operate
- Energy saving, Long lifespan
- Light is soft and uniform, Safe to eyes
- Instant start, NO flickering, NO humming
- Green and eco-friendly without mercury.

Application:

- ◆ Gas station
- ◆ Service station, Toll station.



TECHNICAL DATA SHEET

Product Specifications

Product name	LED Canopy Light
Part No	CP-240W-1421-1601
Dimension	520 x 520 x 242mm

Technical Characteristic

Color temperature	4000K	4500K	5000K	5700K
CRI	>80			
Lumen	31000 - 32000LM			
Input Power	240W			
Viewing Angle	110°			
Input Voltage	100-277Vac 50/60Hz			
Driver model	HLG-240H-48A (Mean Well Driver)			
PFC	>0.9			
Waterproof Rating	WET (IP65)			

Materials

LED Type	2835 (0.2W)
LED QTY	1500 PCS
Housing	Aluminum
Housing color	White
Cover	Frosted lens

Others

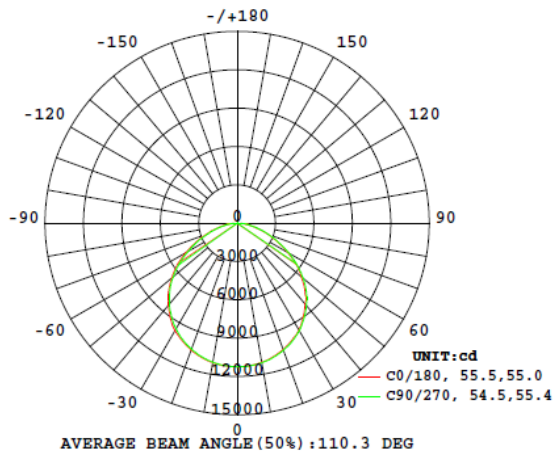
Operating Temperature	-20°C TO 45°C
Operating Humidity	20%-90% RH
Storage Temperature	-30°C TO 80°C
Storage Humidity	10%-95%
Application	Outdoor / Indoor
Safety Certification	UL、cUL、DLC
Warranty Time	5 Years

TECHNICAL DATA SHEET

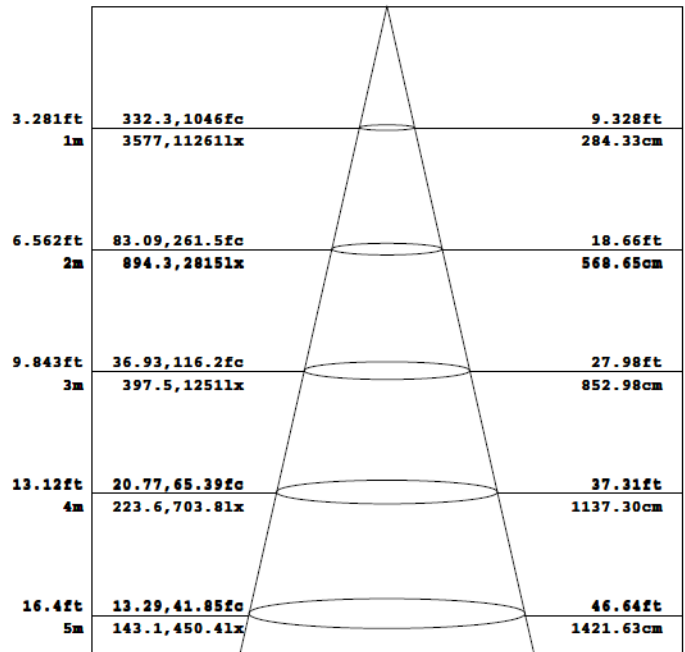
Light Distribution Testing Parameters

DATA OF LAMP		PHOTOMETRIC DATA			
MODEL		Imax (cd)	11239	S/MH (C0/180)	1.28
NOMINAL POWER (W)	240	LOR (%)	100.0	S/MH (C90/270)	1.26
RATED VOLTAGE (V)	120	TOTAL FLUX (lm)	31274	η UP, DN (C0-180)	0.2, 50.2
NOMINAL FLUX (lm)	31273.6	CIE CLASS	DIRECT	η UP, DN (C180-360)	0.1, 49.5
LAMPS INSIDE	1	η up (%)	0.3	CIBSE SHR NOM	1.25
TEST VOLTAGE (V)	120.0	η down (%)	99.7	CIBSE SHR MAX	1.35

LUMINOUS INTENSITY DISTRIBUTION DIAGRAM



Flux out: 22922 lm



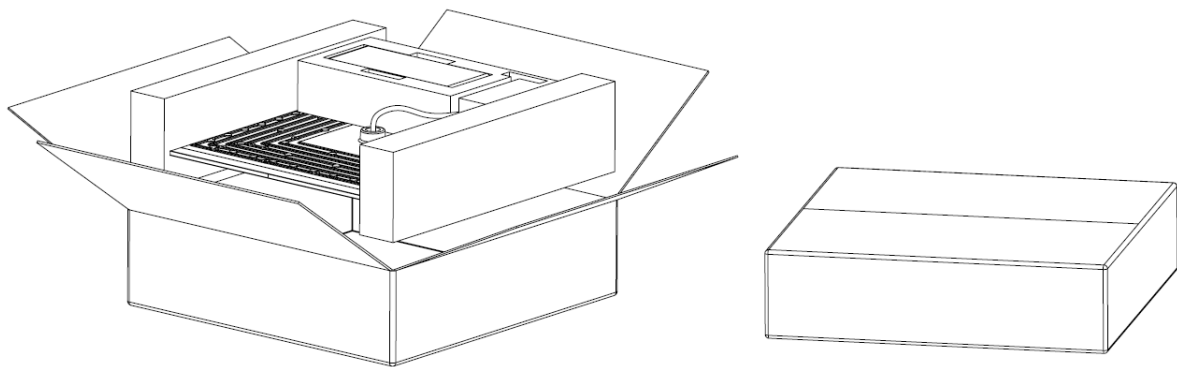
Note: The Curves indicate the illuminated area and the average illumination when the luminaire is at different distance.

TECHNICAL DATA SHEET

Package

Lamps Net Weight: 9.2Kg/pc

	Size	Qty/ Carton	Weight/ Carton
Outer box	560 x 560 x 160mm	1	10.7 KG



Notice For User

- ◆ Please turn off power before install or change assembly parts.
- ◆ The input voltage and lamps should be matched, after connecting the power line, Please make sure the wiring section is insulated.
- ◆ No-professionals, must not install and disassemble the lamps.

Trouble Shootings

Troubles	Check points
Flickering of the light	Turn off the power and turn on again in 3 minutes. If same phenomena occur, then call agencies
Out of working	Please check the connection