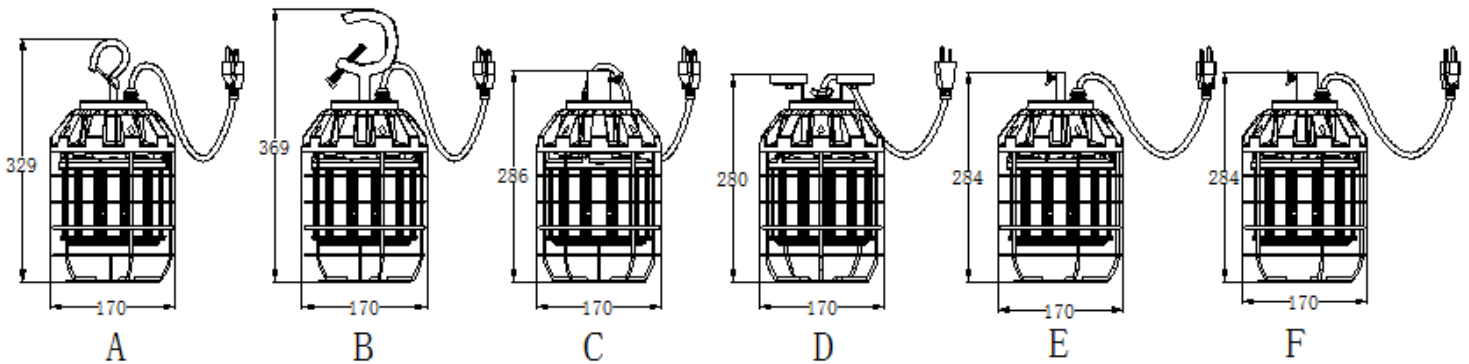


# TECHNICAL DATA SHEET



## Mounting bracket

category	A	B	C	D	E	F
Stent type	Hook Mount	Industry Hook Mount	Round Pipe Mount	Magnet Mount	1/4 NPT Stem Mount	5/8 NPT Stem Mount

NAME: LED Luminaires

P/N : CHB01-060WCA1

### Advantage:

- UL、cUL、DLC certificate
- Input voltage 120V AC
- No UV or IR in the beam
- Easy to install and operate
- Energy saving, long lifespan
- Instant start, NO flickering, NO humming
- Green and eco-friendly without mercury

### Application:

- ◆ Warehouse, factory and workshops;
- ◆ Highway toll station and gas station;
- ◆ Exhibition hall;
- ◆ Gymnasium and supermarkets, etc.



# TECHNICAL DATA SHEET

## Product Specifications

Product name	LED Luminaires					
Part No	CHB01-060WCA1					
Dimension	A	B	C	D	E	F
Stent type	Hook Mount	Industry Hook Mount	Round Pipe Mount	Magnet Mount	1/4 NPT Stem Mount	5/8 NPT Stem Mount
Product size	∅ 170 x 329 mm	∅ 170 x 369 mm	∅ 170 x 286 mm	∅ 170 x 280 mm	∅ 170 x 284 mm	∅ 170 x 284 mm

## Technical Characteristic

Color temperature	3000K/3500K/4000K/4500K//5000K/5700K
CRI	>80
Lumen	6690 - 7800LM
Lumen Efficacy	110-130LM/W
Input Power	60W
Viewing Angle	235°
Input Voltage	120Vac 50/60Hz
Driver Brand	China Brand Driver
PF	>0.9
Waterproof Rating	WET

## Materials

LED Type	SMD2835
LED QTY	Total:512 PCS (Side:384PCS;Top:128PCS)
Housing	Al+PC
Housing color	Silvery+ Orang
Cover	Clear

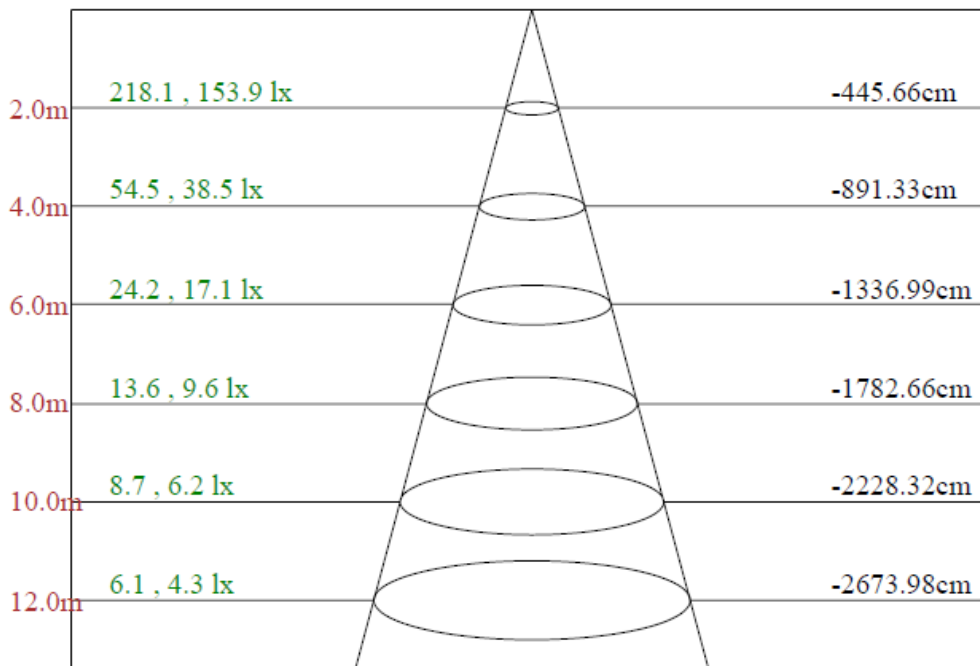
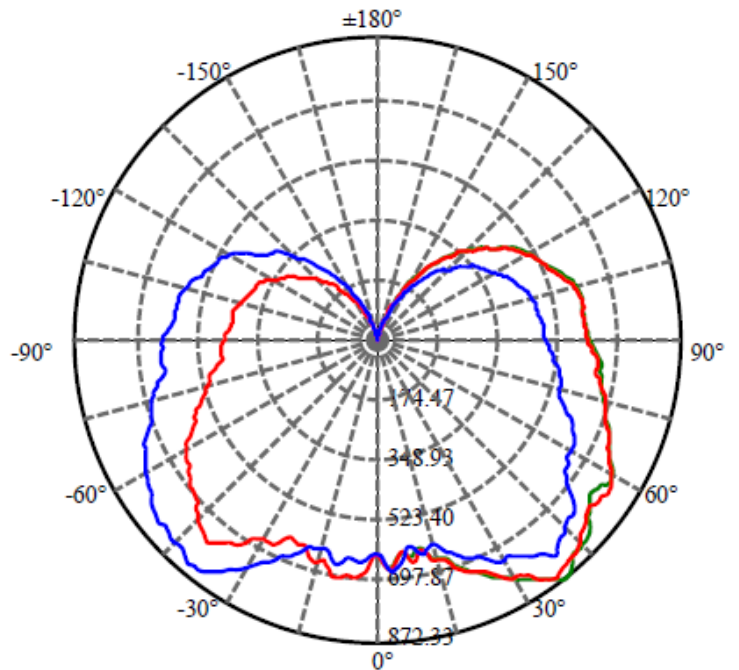
## Others

Operating Temperature	-20°C TO 40°C
Operating Humidity	20%-90% RH
Storage Temperature	-30°C TO 80°C
Storage Humidity	10%-95%
Application	Indoor / Outdoor
Safety Certification	UL、cUL、DLC
Warranty Time	5 Years

# TECHNICAL DATA SHEET

## Light Distribution Testing Parameters

Lumens(lm): 6690.65  
 Efficiency(%): 0.00%  
 Lumens(lm)/Power(W): 111.53  
 Central intensity(cd): 616.911  
 Maximum intensity(cd): 872.334  
 Angle of maximum intensity: C=22.5 γ=39.0  
 Beam Angle(50%Imax): [C0/180]Total=222.2  
                                   [C90/270]Total=240.3  
 Field angle(10%Imax): [C0/180]Total=313.8  
                                   [C90/270]Total=316.5  
 Maximum s/h(1/2): C0\_180=1.80 C90\_270=1.85  
 Maximum s/h(1/4): C0\_180=1.84 C90\_270=1.85  
 Up flux rate of lamp(%): 0.00%  
 Down flux rate of lamp(%): 0.00%  
 Up flux rate of LUM(%): 36.07%  
 Down flux rate of LUM(%): 63.93%  
 CIE Type : Semidirect lighting  
 Output flux ratio in π solid angle : 34.957%



Max , Ave      Beam angle of C22.5plane265.66

# TECHNICAL DATA SHEET

## Package

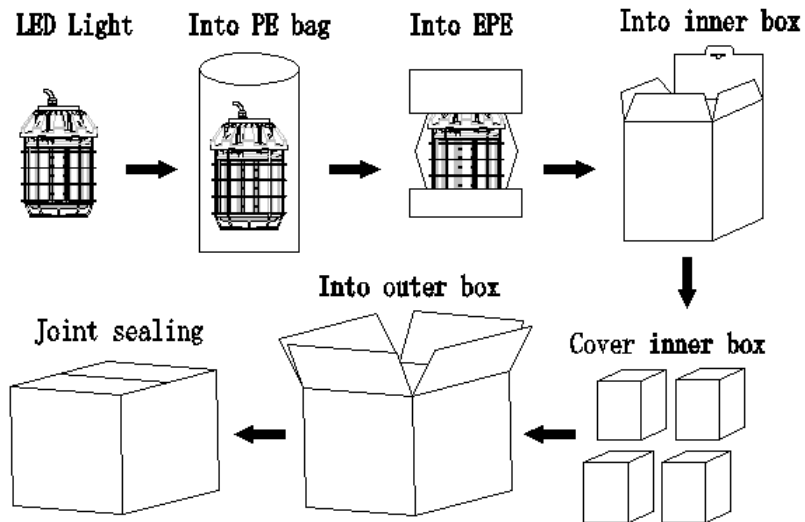
### 1. General packing

Lamps Net Weight: 1.8 kg / pcs (Note: this package does not include 6 mounting brackets)

	Size	Qty/Carton	Weight/Carton
Outer box	440*440*350MM	4	9.6 kg

### Mounting bracket

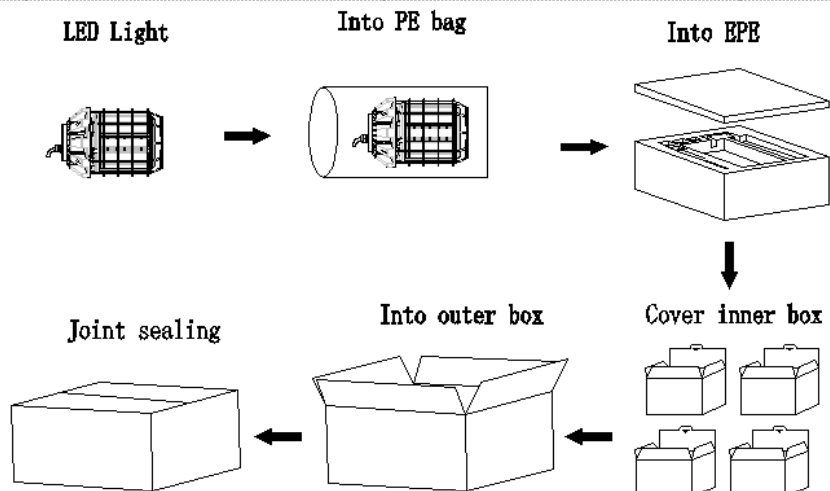
category	A	B	C	D	E	F
Stent type	Hook Mount	Industry Hook Mount	Round Pipe Mount	Magnet Mount	1/4 NPT Stem Mount	5/8 NPT Stem Mount
weight	0.03 kg	0.16kg	0.04kg	0.18kg	0.02kg	0.03kg



### 2. White box packing

Lamps Net Weight: 2.26 kg / pcs

	Size	Qty/Carton	Weight/Carton
Outer box	620X350X470 mm	4	12.5 kg

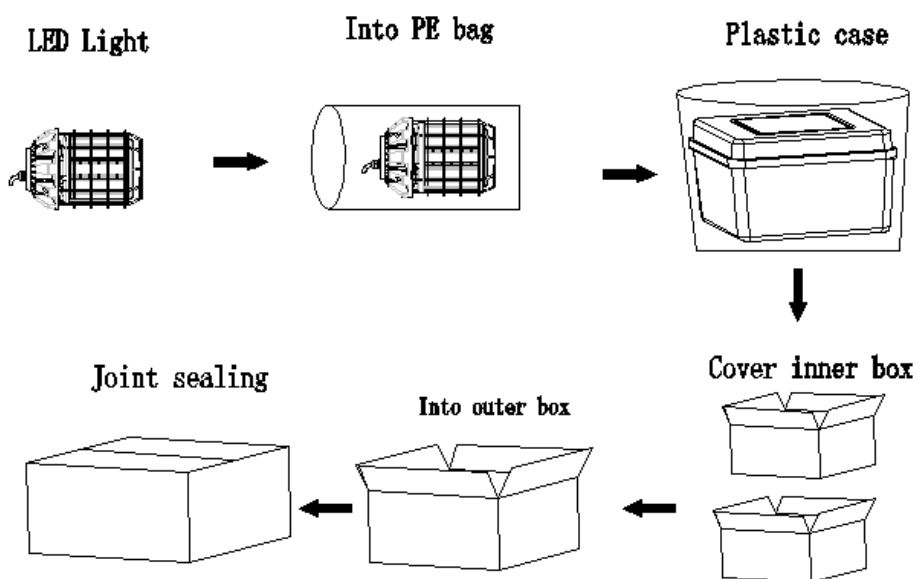


# TECHNICAL DATA SHEET

## 3. Plastic case packing

Lamps Net Weight: 2.26 kg / pcs

	Size	Qty/Carton	Weight/Carton
Outer box	420X390X420 mm	2	11 kg



### Notice For User

- ◆ Please turn off power before install or change assembly parts.
- ◆ The input voltage and lamps should be matched, after connecting the power line, Please make sure the wiring section is insulated.
- ◆ No-professionals, must not install and disassemble the lamps.

### Trouble Shootings

Troubles	Check points
Flickering of the light	Turn off the power and turn on again in 3 minutes. If same phenomena occur, then call agencies
Out of working	Please check the connection