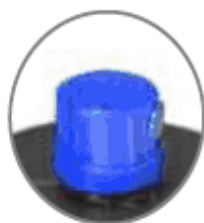


150W LED SHOEBOX STREET LIGHT/ AREA LIGHT

Versatile LED Street fixture light with a 135 lumen per watt plus output is one of the most cost effective flood/area light on the market today



Daylight Sensor



Microwave motion sensor



Slip Fitter



Round Pole



Square Pole



Trunnion

Technical Parameters

Fixture housing	Die Casting Aluminum + Optical PC Lens
Fixture Color	Bronze (standart), Silver Grey, White
Mounting Arm	Optional Knuckle/ Slip fitter, Yoke mount, Trunnion Mount for Square/ Round
Application projects	outdoor Roadways, Parking area, Corridors, Security, Sports ground, Stadium, plaza etc. outdoor area lighting projects.
Certificates	Approved UL&CUL (E476588), DLC , FCC, CE, RoHS
Warranty	5 Years

Electrical Parameters

ITEM	150W
Power Consumption	152W
LED Source	PHILIPS SMD3030 LED
Input Voltage Range	100-277VAC; 347VAC; 480VAC
Frequency Range	50/60Hz
Power Factor	>0.95
THD	<12%
Power line	UL SJTW 3G18AWG

150W LED SHOEBOX STREET LIGHT/ AREA LIGHT

Versatile LED Street fixture light with a 135 lumen per watt plus output is one of the most cost effective flood/area light on the market today

Optical & Efficiency Parameters

Beam Angle	Type III(135x65°), Type IV(150x80°), Type V (90°)
Color Temperature	2700K--3200K, 4000K-4500K, 5000K-5500K, 5700K, 6000K-6500K
Lumen Efficiency	>135LM/W
Lumen Output	150W= 20250lm
Color Rendering Index	CRI> 80Ra
IP Rating	IP66
IK Level	IK08
LED JT	< 69°C
Working Temperature	-25°C ~ +50°C
Humidity	10%~90%RH
Life-span (L70)	>50,000Hrs

Options

PIR motion sensor/ Microwave motion sensor

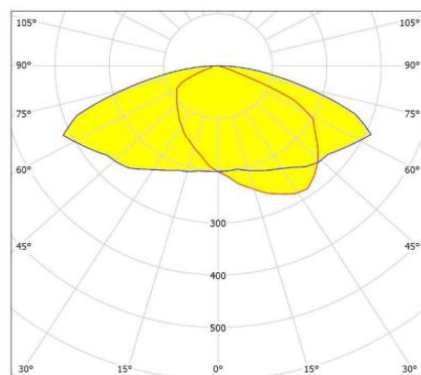
Photocell Sensor (100-277VAC/ 347VAC)

Finish color: Black/ Bronze/ Grey

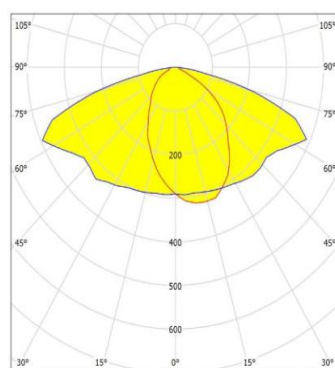
Advantages

- ◆ Optional 1-10V dimmable, motion sensor functions
- ◆ High quality Aluminum Fixture, professional cooling design, better cooling LED Tj < 69°C.
- ◆ IP66 waterproof Rating
- ◆ Versatile- Flood or parking area etc. all kind of outdoor lighting projects
- ◆ Veriaty kinds mounting arms, suitable for difference poles mounting requirments.
- ◆ Special thermal design, reduce fixture weight and ensure good heat dissipation, lower luminous decay to extend life span of the leds.
- ◆ Anti-glare Lens, no UV, no IR, no mercury or other hazardous substances
- ◆ Very low rate of failure
- ◆ 10 years warranty
- ◆ Complete with a 10KA surge protector (100-277V) and 347V has built in input Surge protection 4KV line-line, 6KV line- earth

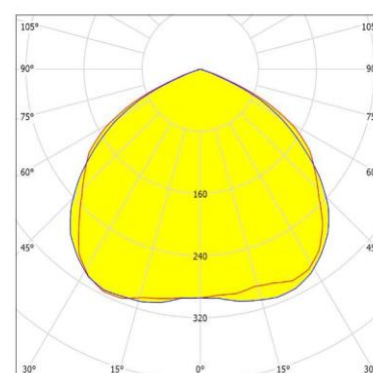
Optical Lens Type



TYPE III



TYPE IV

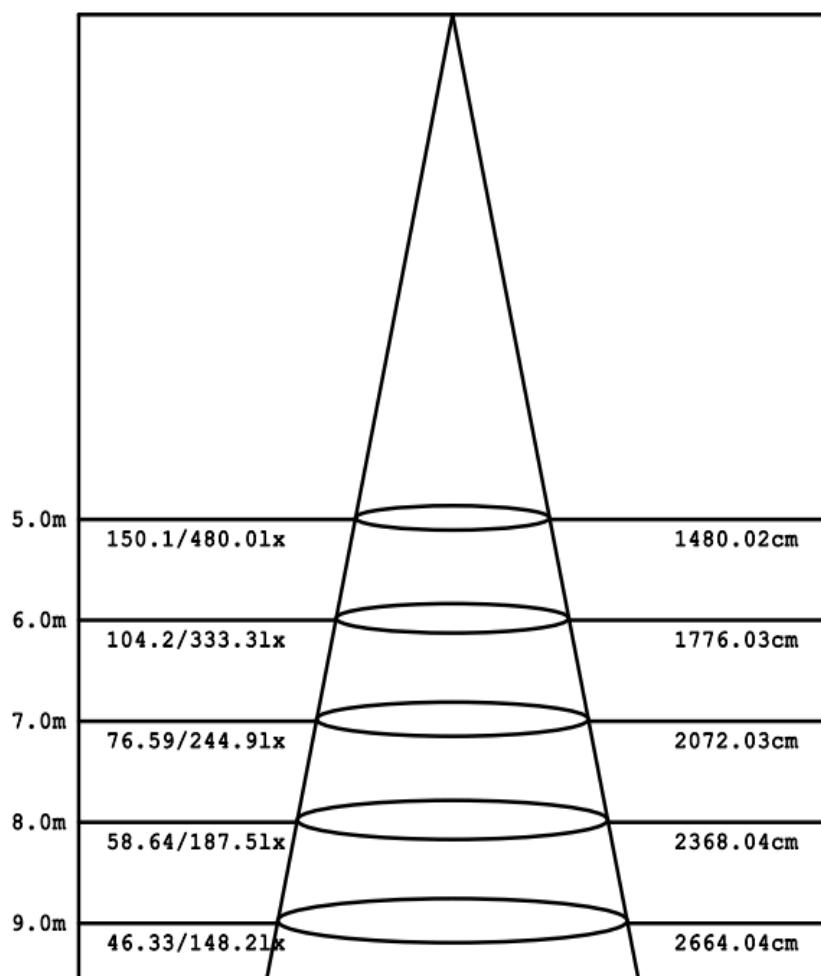


TYPE V

150W LED SHOEBOX STREET LIGHT/ AREA LIGHT

Versatile LED Street fixture light with a 135 lumen per watt plus output is one of the most cost effective flood/area light on the market today

Photometrics



Product Code Guide

ITEM CODE	WATTAGE	CCT	VOLTAGE
SL- LED STREET LIGHT	150W	40K- 4000K	110V
		50K-5000K	120V
		55K-5500K	100-277V
		60K-6000K	347V
		65K-6500K	

SL - 150W - 40K - 277V

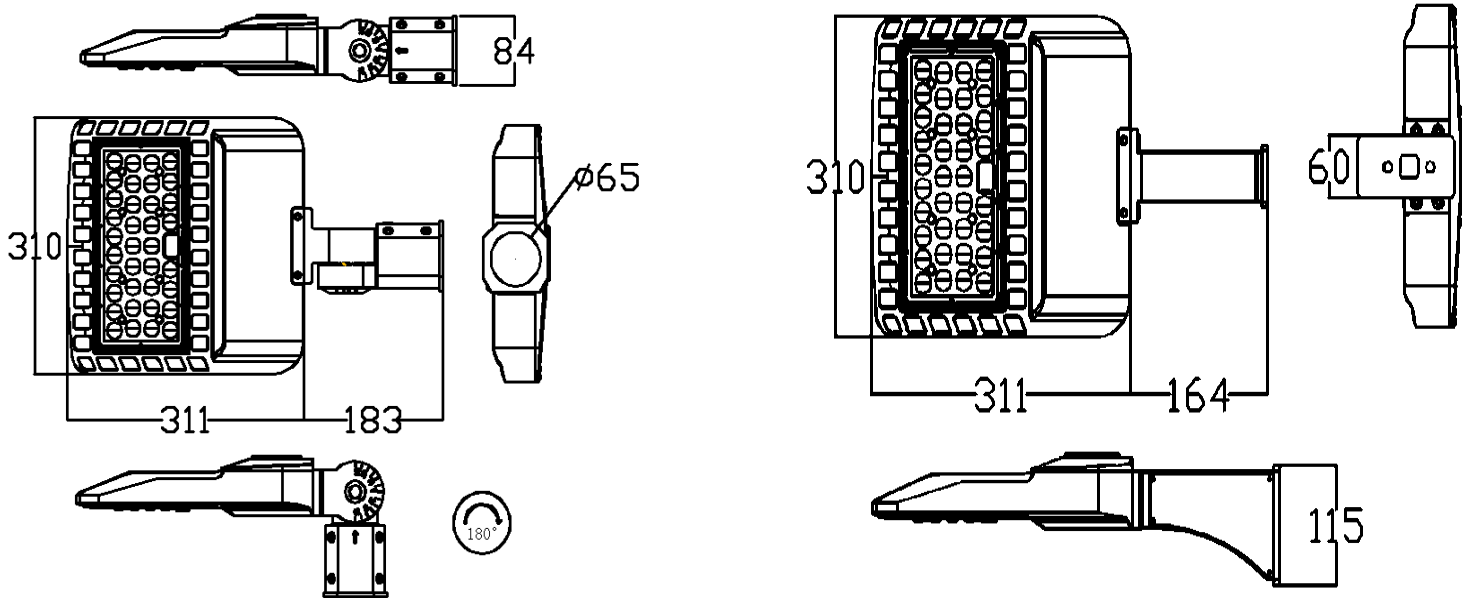
Item code Watts CCT Voltage

Example: SL-150W-40K-277 (LED Street Light , 150W, CCT 4000K, 277VAC)

150W LED SHOEBOX STREET LIGHT/ AREA LIGHT

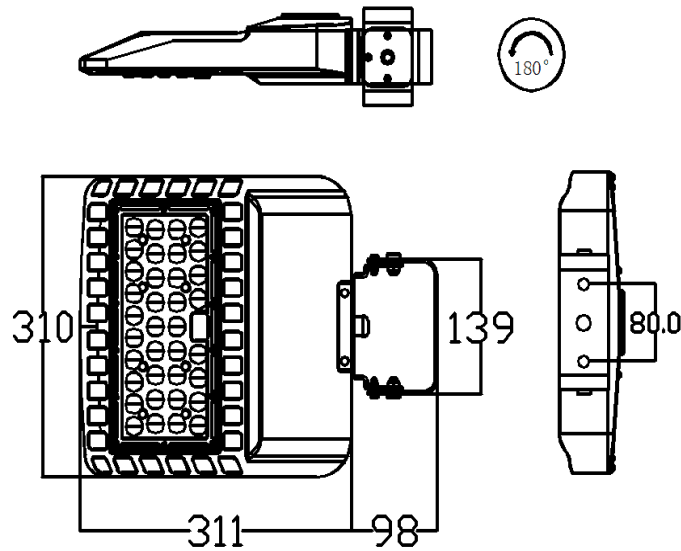
Versatile LED Street fixture light with a 135 lumen per watt plus output is one of the most cost effective flood/area light on the market today

Fixture Dimensions



150W- Fix Arm

150W- Knuckle/ Slip Fitter Arm



150W- Yoke Arm

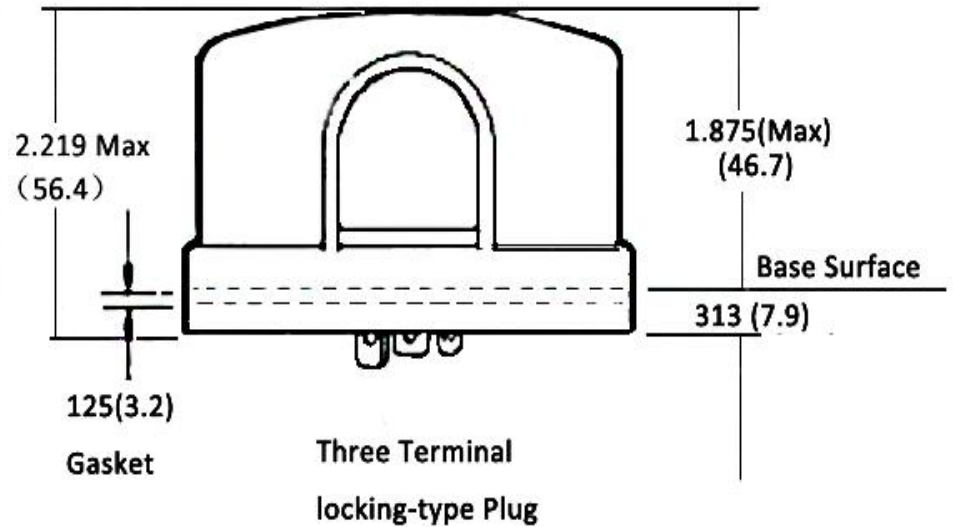
Packing Details



150W LED SHOEBOX STREET LIGHT/ AREA LIGHT

Versatile LED Street fixture light with a 135 lumen per watt plus output is one of the most cost effective flood/area light on the market today

PHOTOCELL CONTROLLER

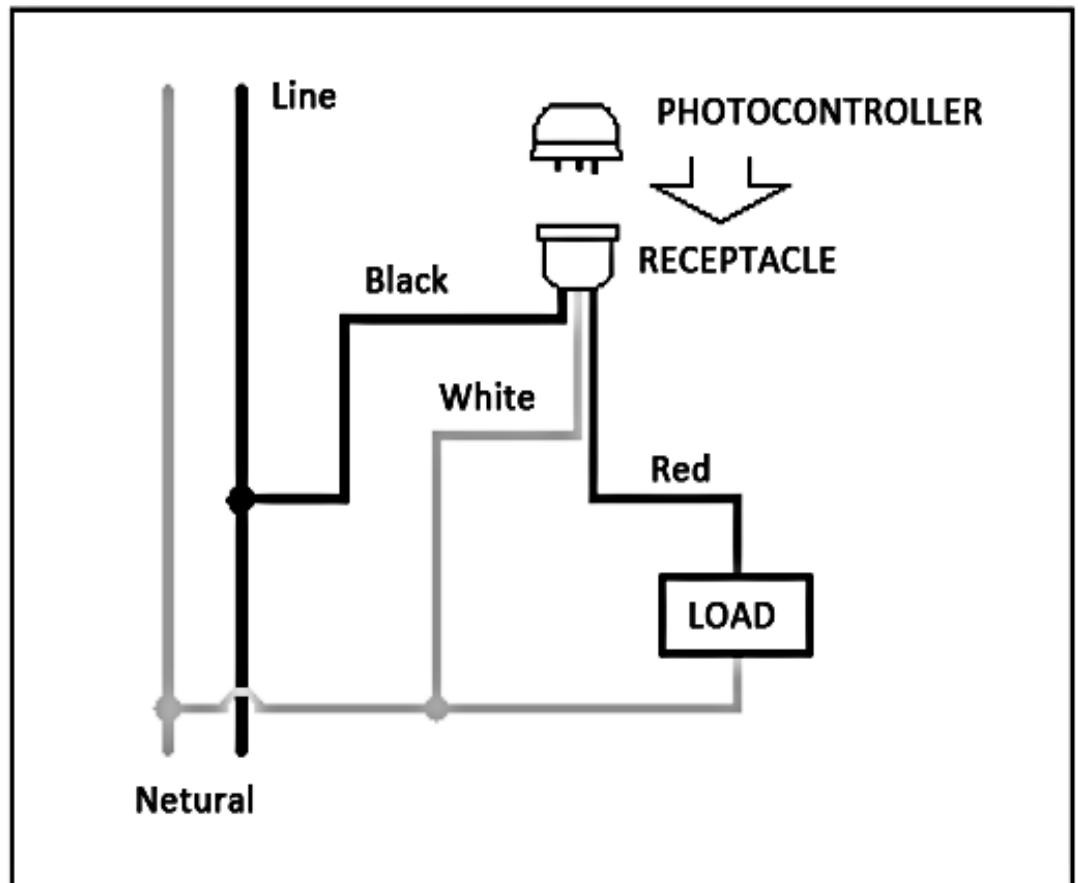


- Rated Voltage: 120-277VAC
- Applicable Voltage: 105-305VAC
- Rated Frequency: 50/60HZ
- Rated Loading: 1000W Tungsten, 1800VA Ballast
- Power Consumption: 0.5W
- Typical On/Off Level: 16Lx On/ 24Lx Off
- Ambient Temp.: -40°C ~ +70°C
- Relative Humidity: 99%/ 100% (IP67)
- Overall Size: 84 (Dia.) X 66mm

INSTALLATION

Disconnect power; Wire the receptacle according to the diagram in right hand, Push the photocontroller on and twist it clockwise to lock it into the receptacle.

Install the photocontroller with the Photocell facing the NORTH direction as indicated on the top of the photocontroller. Adjust the receptacle position if necessary

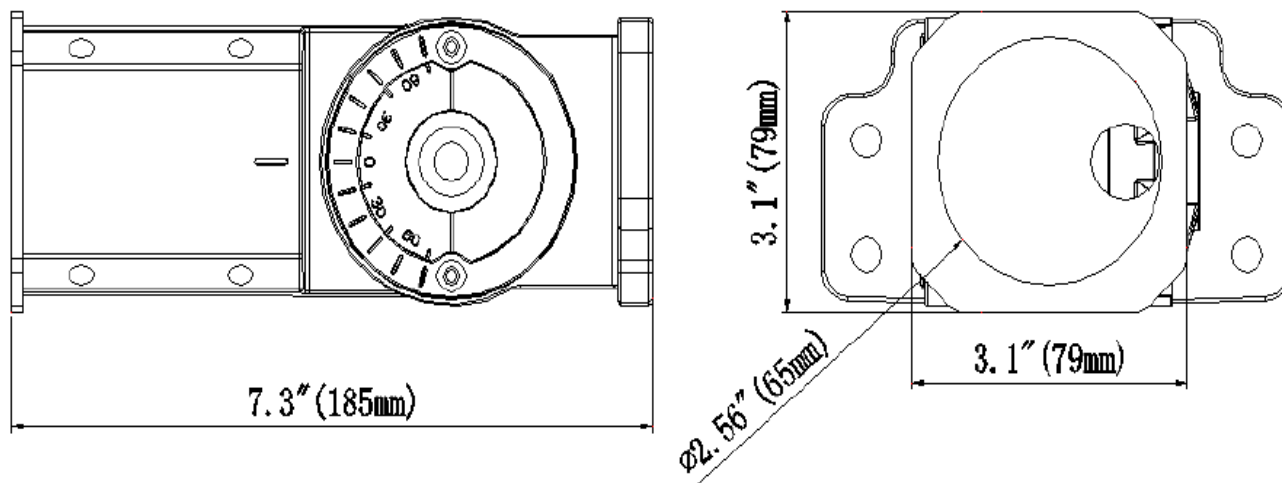


150W LED SHOEBOX STREET LIGHT/ AREA LIGHT

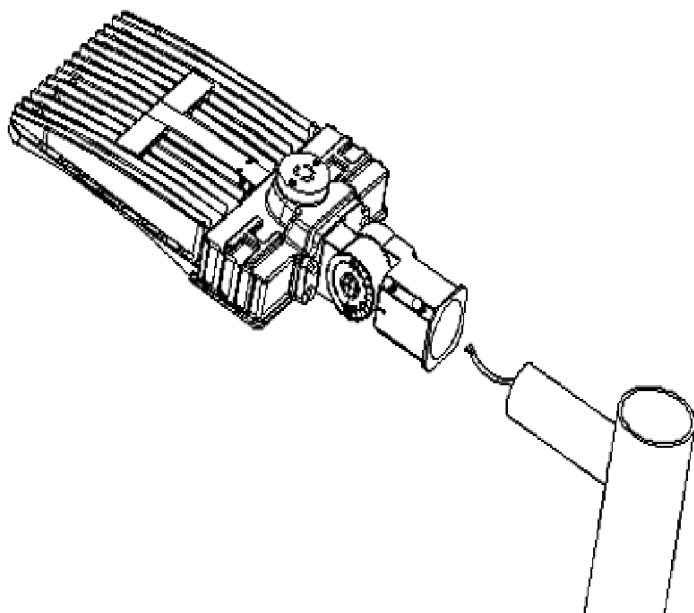
Versatile LED Street fixture light with a 135 lumen per watt plus output is one of the most cost effective flood/area light on the market today

Mounting Instructions

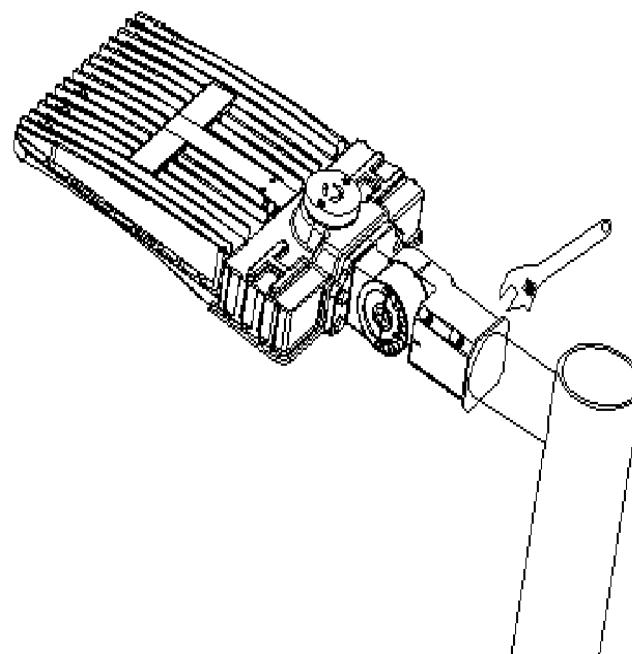
Knuckle/ Slip Fitter Arm



Step 1 Connect the AC wire, and then insert the arm of the slip fitter to the pole



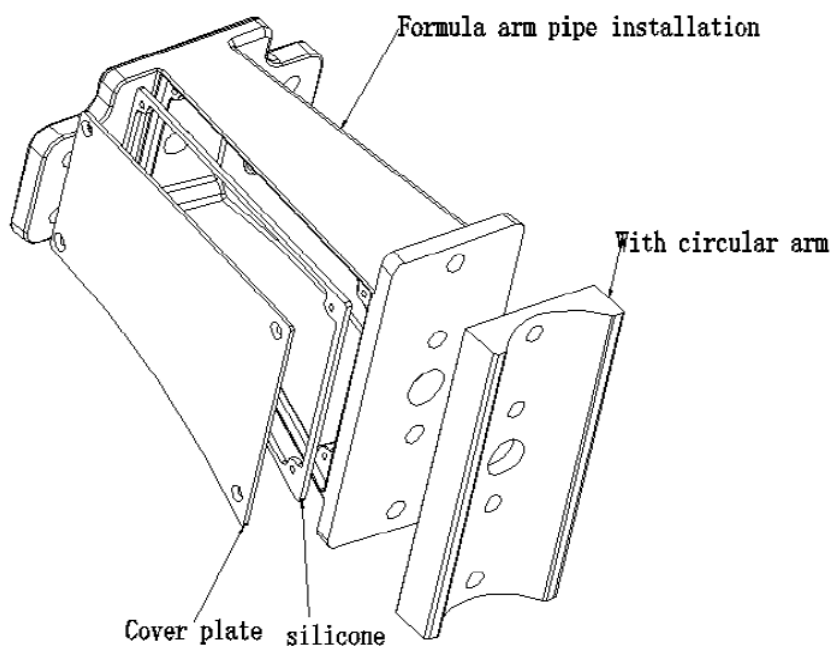
Step 2 Tighten the screws on the side of the arm and then power on.



150W LED SHOEBOX STREET LIGHT/ AREA LIGHT

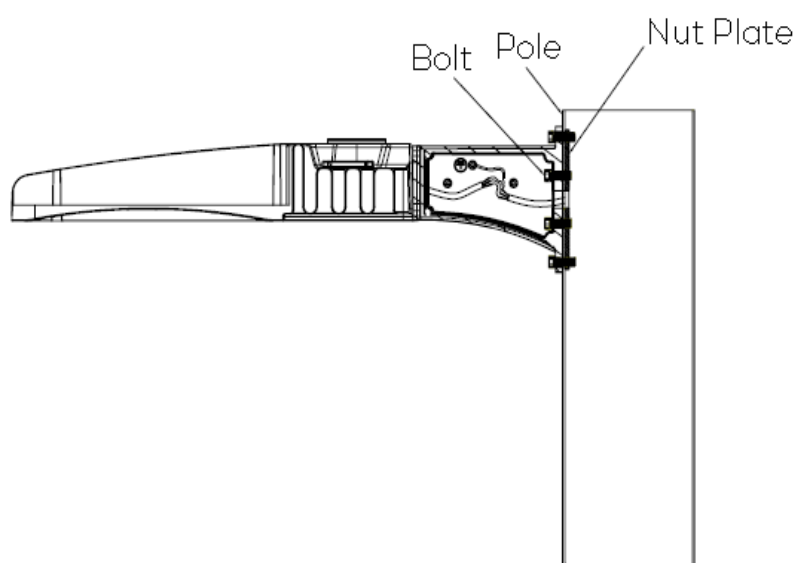
Versatile LED Street fixture light with a 135 lumen per watt plus output is one of the most cost effective flood/area light on the market today

Direct Arm Mount for Square Pole



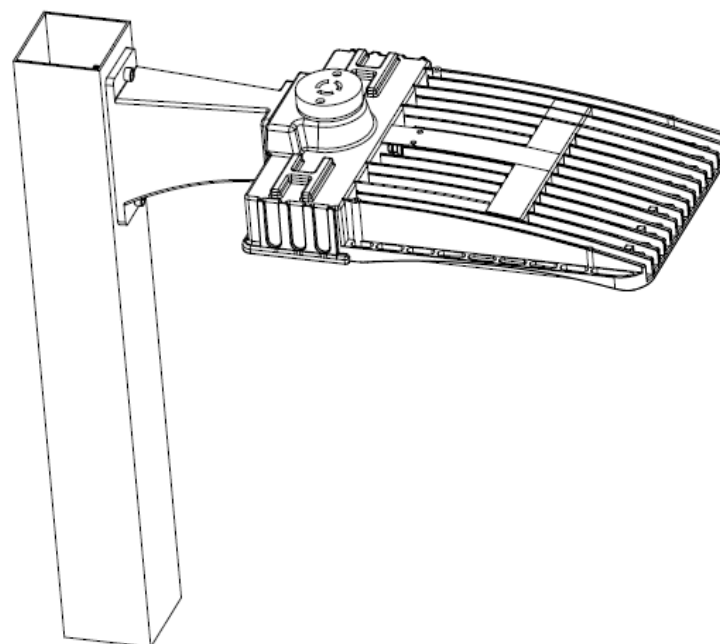
Step 1

Drill holes on the square pole corresponding to the holes on the arm, and use the bolt and nut plate to fix the fixture to the pole tightly



Step 2

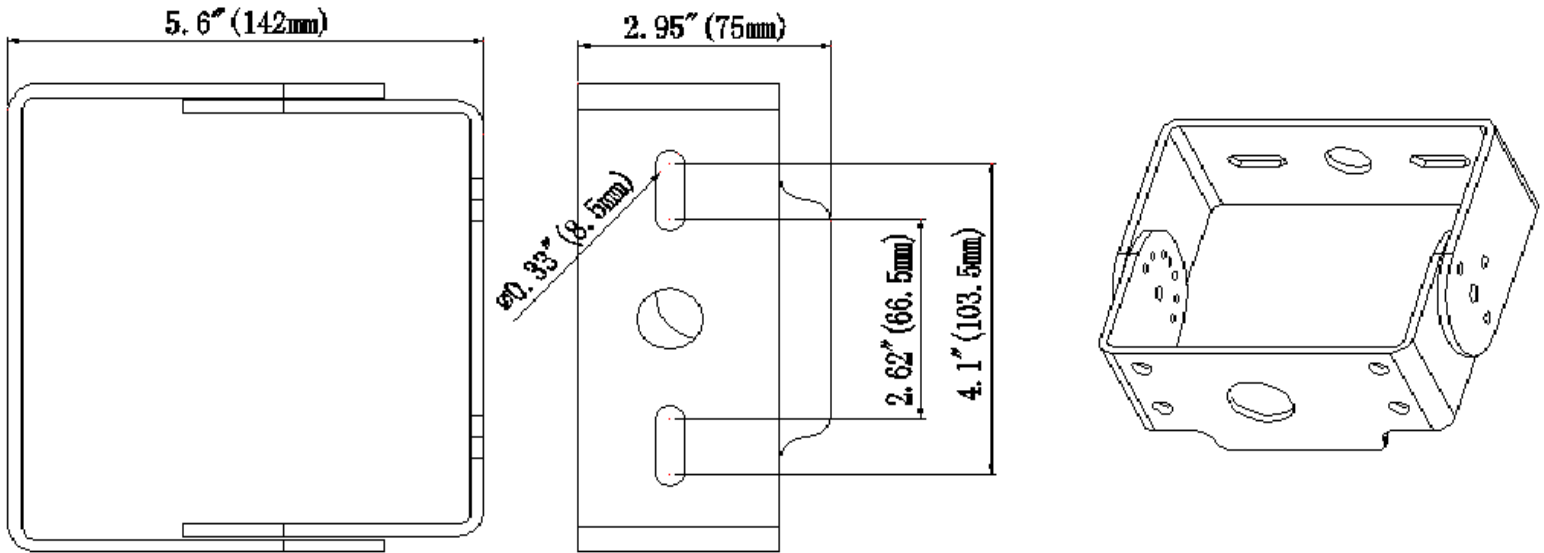
Connect the AC wire of the fixture and tighten the water-proof gasket and cover plate on the arm by



150W LED SHOEBOX STREET LIGHT/ AREA LIGHT

Versatile LED Street fixture light with a 135 lumen per watt plus output is one of the most cost effective flood/area light on the market today

Yoke Mount



Step 1 Drill two holes on the wall corresponding to the holes on the trunnion, and knock expansion screws into the holes.

Step 2 Use the nuts to fix the fixture to the wall aiming at the expansion screws, and adjust angle of the bracket and tighten the small screw on the side, then connect the AC wires.

