

# DUCAR

## Diagramme de pièces *Parts diagram*

À PARTIR DE NOVEMBRE 2019 / FROM NOVEMBER, 2019

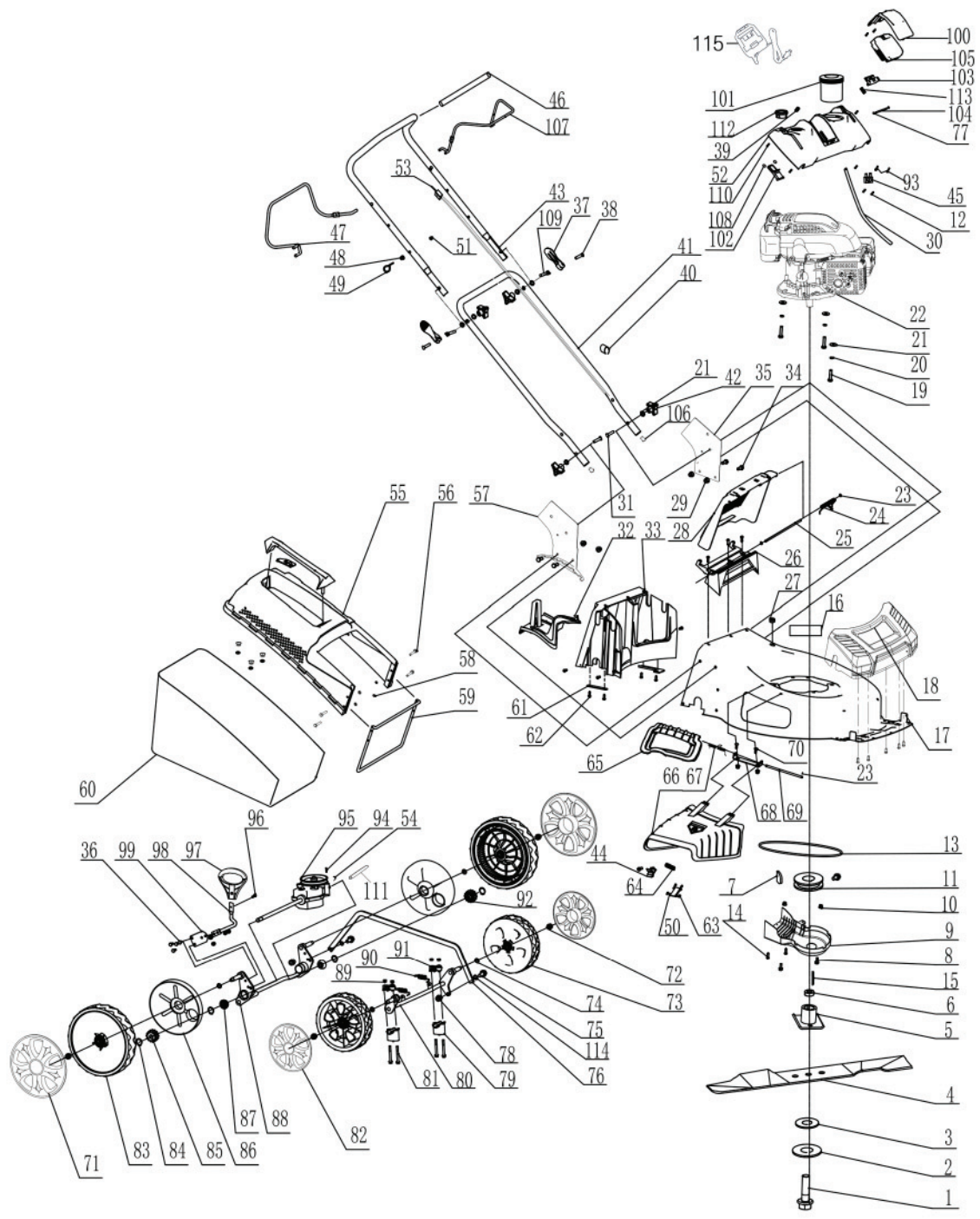


Le modèle peut différer légèrement de la photo / *The model may differ slightly from the picture*

## DM53SE Tondeuse *Mower*

**MTI**  
CANADA

# DM53SE



Spare parts for the DM53SE mower			
NO.	Code	Description	Qty
1	91221	BOLT - 24 UNFX38 3/8	1
2	94042	DISH WASHER	1
3	602001	THE BLADE ISOLATION PAD $\phi$ 35	1
4	602006	THE BLADE	1
5	602003	KNIFE HOLDER	1
6	602024	KNIFE SEAT CUSHION SETS OF	1
7	296501	WOODRUFF KEY	1
8	91304	BOLT WITH DISC M6 X 16	2
9	606111	THE BELT COVER	1
10	90060	NUT M6	4
11	606011	VARIABLE SPEED DRIVING BELT PULLEY	1
12	92022	SELF TAPPING SCREW	2
13	606064	V BELT	1
14	92139	SELF-TAPPING SCREW KAL50x12	8
15	296510	FLAT KEY	1
16	601141	DIAL THE GRASS PLATE	1
17	601007-175	CUT THE GRASS PLATE	1
18	601012	HOOD	1
19	91347	BOLT WITH DISC M8 X 30	3
20	94040	SPRING WASHER	3
21	94041	GASKET $\phi$ 8.4 * 24 * 2	7
22	220017320003	ENGINE DV173E	1
23	94036	OPEN RING	3
24	604001	TORSION SPRING FOR REAR COVER PLATE	1
25	604150	HOUGAIBAN SHAFT	1
26	604021	CHASSIS BLOCK	1
27	601005	LAP-ROPE SHEATH. $\phi$ 16	1
28	604005	HOUGAIBAN	1
29	90059	NUT M8	5
30	605201	LITHIUM BATTERY WIRING HARNESS	1
31	91868	BOLT M8 * 45	2
32	601171	AFTER THE PLUG	1
33	604151	AFTER THE AIR DUCT	1
34	91960	BOLT WITH DISC M8 X 20	4
35	601164	LEFT ARM REST	1
36	91404	BOLT M6X14	4
37	605053-175	QUICKLY LOCK THE HANDLE	2
38	91873	LOCKING PIN SHAFT $\phi$ 6	2
39	605082	LITHIUM ELECTRIC LIMIT SPRING	1
40	605221	WIRE CLIP	1
41	605019	THE PUSH ROD	1
42	605098-175	TRIANGLE KNOB	4
43	605039	THE PUSH ROD	1
44	604106	SIDE COVER LATCH	1
45	605035	LINE PRESSING BLOCK	1
46	605007-053	THE PUSH ROD BUSHING	1
47	605015-175	DRIVE ROD	1
48	90016	DISC NUT M6	1
49	605009	PULL ON THE ROPE TIED TO	1
50	604107	LOCKING BIT COVER PLATE	1

51	90061	CAP NUT M6	2
52	605065	LITHIUM BATTERY STARTUP PANEL	1
53	605058	DRIVE THE FLAMEOUT DOUBLE CABLE	1
54	606089	TENSION TENSION SPRING	1
55	604144-016	GRASS ON THE BOX COVER	1
56	92070	CROSS SLOTTED HEAD SCREW M6X14	4
57	601173	RIGHT ARM REST BRACKET ASSEMBLY	1
58	90063	NUT M5	4
59	604028	GRASS BOX BRACKET	1
60	604029-002	A STRAW BAG UNDER A STRAW BOX	1
61	606036	REAR AXLE RIGHT PLATEN	2
62	92069	SELF-TAPPING SCREW ST6.3X16F	15
63	92084	SELF-TAPPING SCREW ST3.0*12	4
64	604108	SIDE ROW LATCHING SPRING	1
65	604024	THE SIDE COVER	1
66	604023	SIDE OF THE EXHAUST DUCT	1
67	604026	TWISTED SPRING FOR SIDE COVER PLATE	1
68	604027	SIDE COVER BRACKET	1
69	604025	SIDE COVER PLATE SHAFT	1
70	91406	BOLT M6X14	2
71	606033-198	WHEEL COVER	2
72	90057	NUT M10 * 1.5	4
73	606028	PUSH WHEEL	2
74	94046	THE WAVE WASHER	4
75	91884	CONNECTING ROD FIXING BOLT	2
76	603011	RAISE THE CONNECTING ROD	1
77	94062	OPEN RING	2
78	90058	NUT M6	6
79	606029	THE FRONT AXLE IS FIXED ON THE LOWER SEAT	2
80	606031	FRONT AXLE	1
81	91339	BOLT WITH DISC M6 X 50	4
82	606007-198	WHEEL COVER	2
83	606032	SINCE THE GO ROUND	2
84	94049	SHAFT WITH ELASTIC OPEN COLLAR $\phi$ 12	2
85	606013	RIGHT OUTPUT GEAR	1
86	606034	DUSTPROOF WHEEL COVER	2
87	606010	NON-STANDARD BEARINGS $\phi$ $\phi$ 12.7 * 28.6	2
88	606040	AFTER THE SHAFT	1
89	90064	NUT M6	4
90	603010	THE HIGH TENSION SPRING	2
91	606030	THE FRONT AXLE IS FIXED ON THE UPPER SEAT	2
92	606012	LEFT OUTPUT GEAR	1
93	91870	SHAPED BOLT M6*33	2
94	606021	DRIVE GEAR PIN	2
95	606169	GEARBOX	1
96	92068	CROSS SLOTTED HEAD SCREW M6*10	1
97	603033	TURN UP THE GLOVES	1
98	603009	RAISE LEVER	1
99	603002	TURN UP THE SPRING BLADE	1
100	605066	LITHIUM BATTERY COVER	1
101	605067	DRINK HOLDER	1
102	605069	LIMIT BLOCK FOR LITHIUM BATTERY	1

103	605070	THE 12 V WIRING BLOCK	1
104	605072	LITHIUM BATTERY COVER SHAFT	1
105	605134	LITHIUM BATTERY PACK	1
106	605006	PUSH DOWN THE PLUG	2
107	605010-175	FLAMEOUT LEVER	1
108	605081	A MAGNET	2
109	91876	QUICK LOCK BOLT M8X68	2
110	92085	SELF-TAPPING SCREW ST6.3*32	4
111	599601	THE METAL CLIP	1
112	605075	LITHIUM BATTERY STARTUP SWITCH	1
113	605142	BATTERY DOOR RESET SPRING	1
114	94058	GASKET $\Phi$ 8.4 * 16 * 1.4	2
115	611007	ELECTRIC STARTER	1