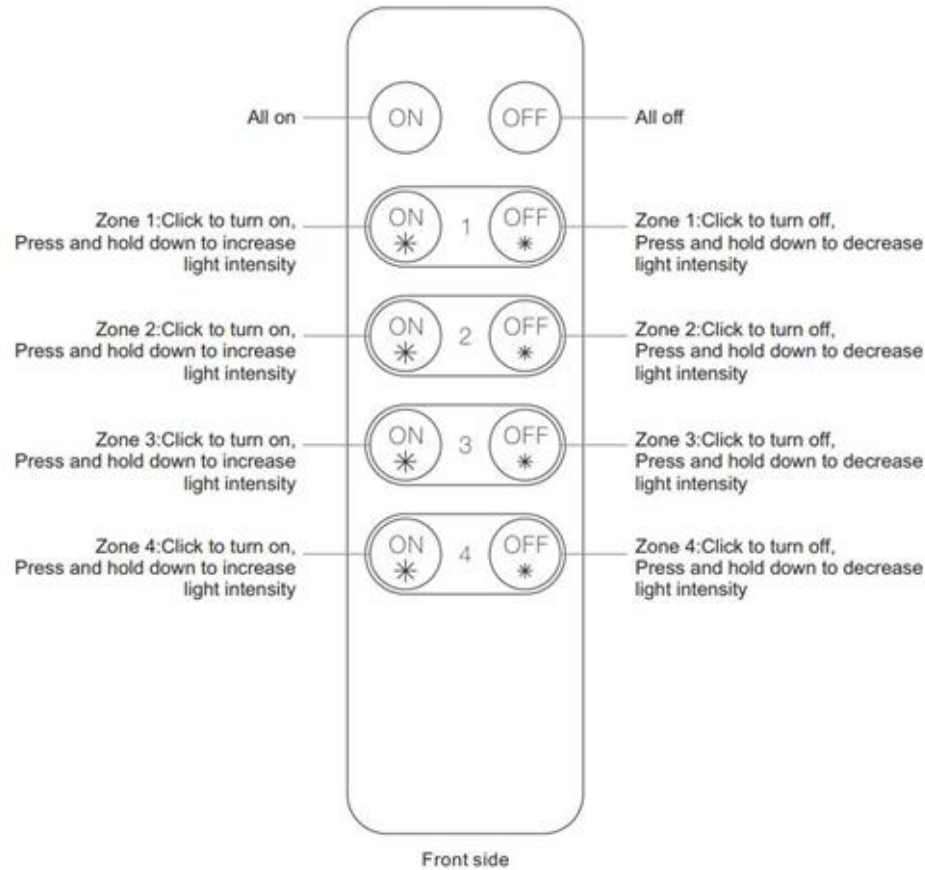




REMOTE CONTROL FUNCTIONS



Remote Control RF Single Colour LED DIMMER RF 4 Zone

FEATURES:

- Reliable dimming and switching functions of up to 4 zones separately, with the ability to pair unlimited receivers in each zone.
- Separate on-off/dimming buttons for each zone.
- 'All On' and 'All Off' buttons.
- Smooth flicker free dimming from 100% to 0.1%
- Velvet touch surface eliminates fingerprints.
- Lithium battery for long life. (5 years)
- Wall mountable magnetic cradle.
- Compatible with all LA-LED receivers.

SPECIFICATIONS:

- Output - RF (Radio Frequency)
- Operating frequency - 868mhz
- Control distance - Greater than 15 metres.
- Battery - Lithium 3V (1 x CR2025)
- Operating temperature - 0 to 40°
- Relative humidity - 8% to 80%
- Dimensions - 137 x 39 x 12mm
- CE RoHS UL FCC TUV

IMPORTANT: READ ALL INSTRUCTIONS PRIOR TO INSTALLATION

DO NOT expose this device to moisture.
DO NOT install with power applied to the device.

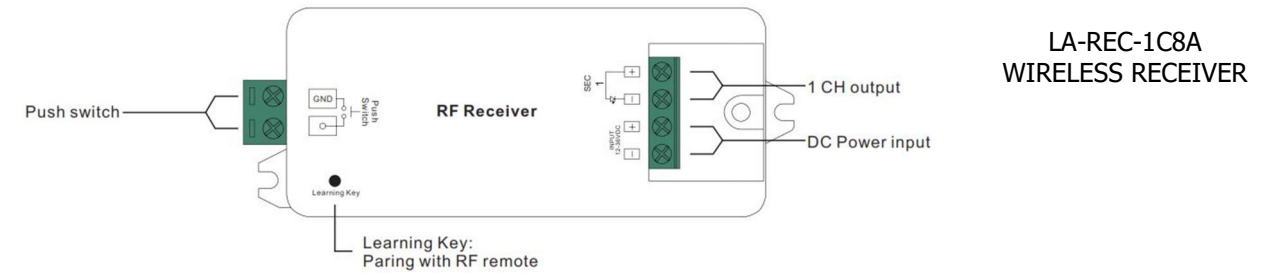
PAIRING THE REMOTE CONTROL TO THE RECEIVER(S)

- Remove the battery cover on the remote control and discard the protective film from the battery. Re-fit cover.
- Apply power to the receiver. Note the LEDs may or may not come on at this stage.
- Press "learning key" button on the receiver.
- Immediately press a Zone "On" or "Off" button on the remote control.
- The LEDs will flash once, indicating a successful pairing.
- Your remote control can now switch and dim the light via the selected Zone, and the "All on" and "All off" buttons.

TO DELETE PAIRING

- To delete pairing, push and hold the learning key on the receiver until lights flash (~3 seconds).
- All pairing for the receiver is now deleted.

Refer to the receiver data sheet for detailed installation information.

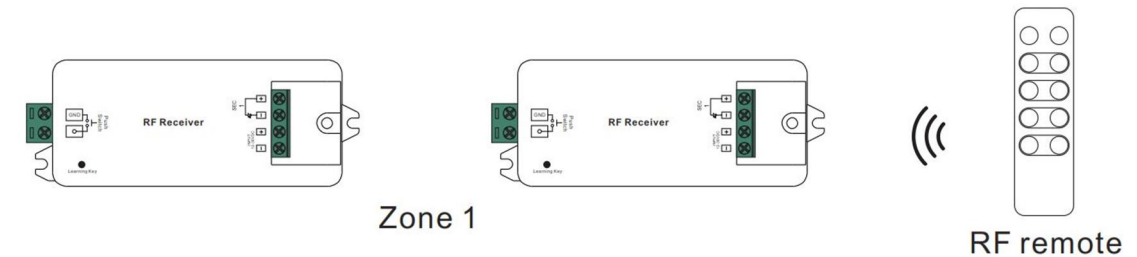


CONFIGURING ZONES

Apart from the "All on" and "All off" buttons on the remote, the receivers can be configured to operate in separate zones, or work together in the same zone. Therefore each zone can have single or multiple receivers configured.

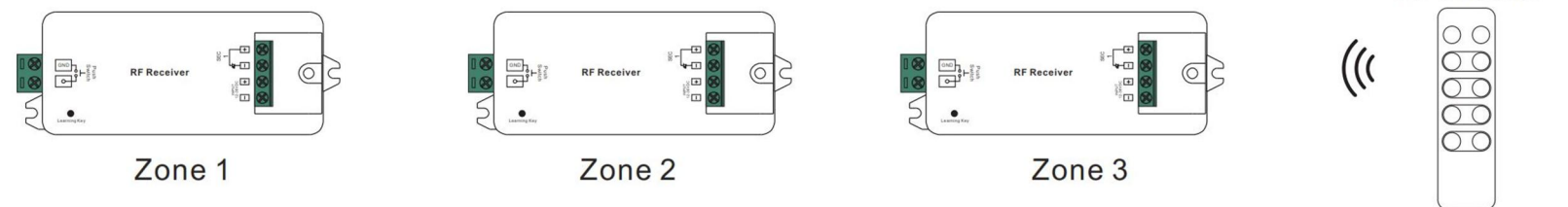
MULTIPLE RECEIVERS CONTROLLED BY ONE ZONE.

Pair each receiver to the Zone 1 buttons on the remote. Every receiver's switching and dimming functions will operate with the Zone 1 buttons.



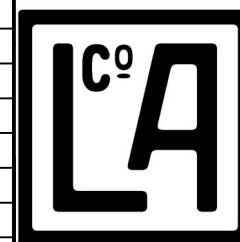
EACH RECEIVER CONTROLLED BY A ZONE.

Pair the first receiver(s) to the Zone 1 buttons on the remote. Pair the second receiver(s) to the Zone 2 buttons on the remote. Up to 4 separate Zones can be configured with multiple receivers in each zone.



REVISION HISTORY

REV	DESCRIPTION	DATE	APPROVED	CR
A0	Initial Release		DG	



Material		Finish	
SCALE: DNS		© Little Anvil www.littleanvil.com	
Designed by DavidG	Checked by NM	Approved by DG	Date 9/08/2018
Dimensions in millimetres Limit on untoleranced unmachined dimensions ± 0.2mm No decimal place 1mm 1 decimal place ± 0.3mm 2 decimal places ± 0.1mm General unmachined angular tolerance ±1° Tolerance to be non-cumulative		Remote Control RF Single Colour LED DIMMER RF 4 Zone LA-REM-4Z-DIM	
		Revision	Sheet 1 / 1