

IMPORTANT: READ ALL INSTRUCTIONS PRIOR TO INSTALLATION

DO NOT expose this device to moisture.
DO NOT install with power applied to the device.

PAIRING THE REMOTE CONTROL TO THE RECEIVER(S)

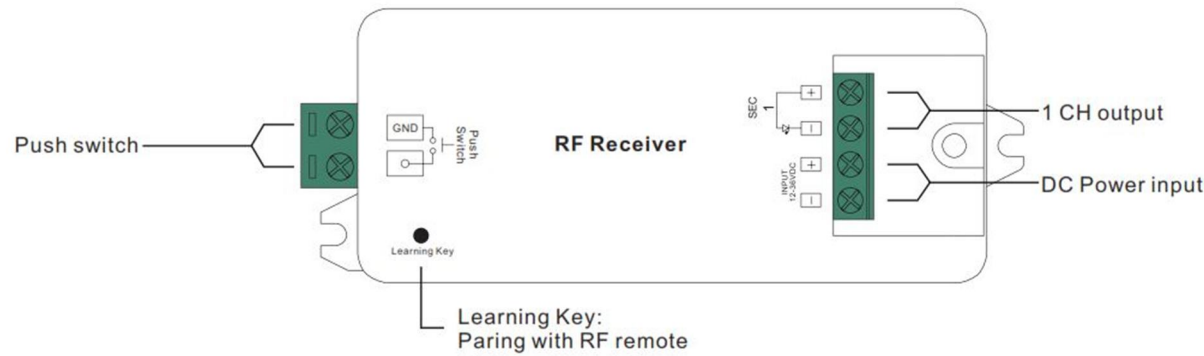
- Apply power to the Receiver. Note the LEDs may or may not come on at this stage.
- Press "learning key" button on the receiver.
- Immediately press a button on the wireless controller. Refer controller instructions for details.
- The LEDs will flash once, indicating a successful pairing.
- Your wireless controller can now switch and dim the lights.

TO DELETE PAIRING

- To delete pairing, push and hold the learning key on the receiver until lights flash (~3 seconds).
- All pairing for the receiver is now deleted.

Please refer to the wireless controller data sheet for more information.

RECEIVER DETAIL



Receiver Wireless RF Dimmer 1 Channel

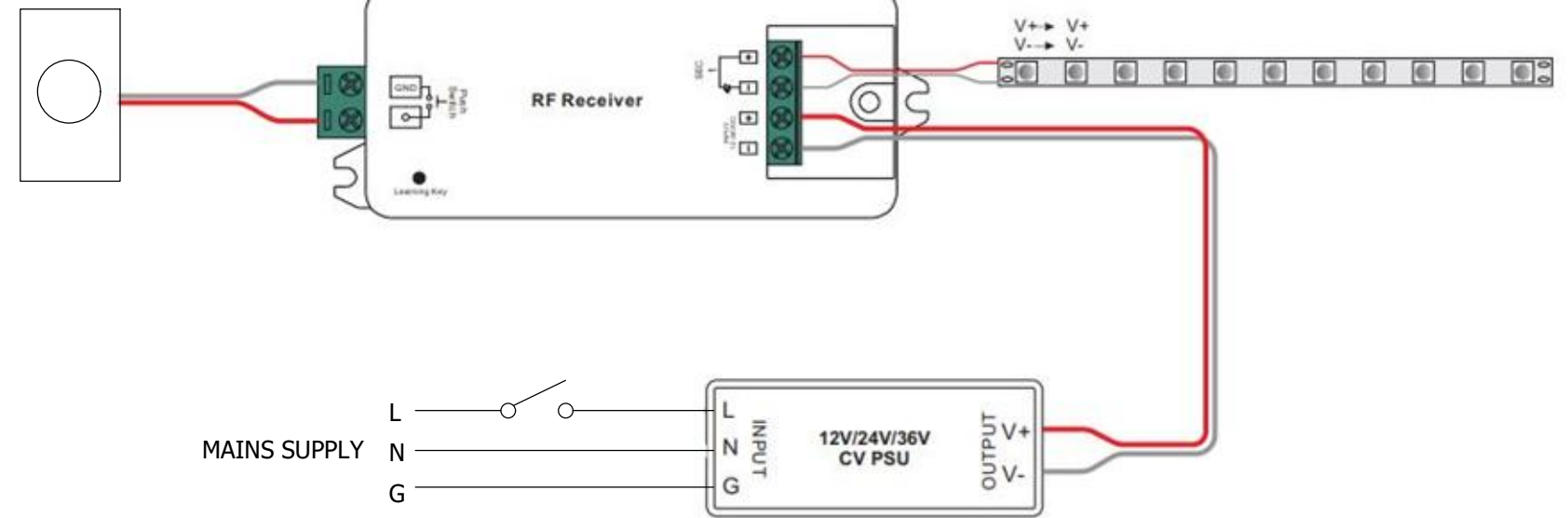
FEATURES:

- Dim and switch single colour LED strip.
- Reliable, smooth flicker-free dimming from 100% to 0.1%
- Endless receivers can be controlled via a single controller.
- Up to 8 controllers or zones can be paired to a single receiver.
- Can be controlled with Wi-Fi via Easy Lighting App on IOS or Android.
- Push button (bell press) wired connection.
- Compatible with all LA-LED single colour wireless controllers.

SPECIFICATIONS:

- SKU: LA-REC-1C8A
- Indoor use only.
- Output: RF (Radio Frequency)
- Operating frequency: 434/869.5/916.5MHz
- Control distance: Up to 20 metres.
- Input Voltage: 12-36VDC
- Output Current: 8A
- Output Power: 12V@96W, 24V@182W, 36V@288W
- Output Type: Constant Voltage.
- Operating temperature: 0 to 40°
- Relative humidity: 8% to 80%
- Dimensions: 37 x 95 x 20mm
- CE RoHS UL FCC TUV

OPTIONAL PUSH BUTTON CONTROL



REVISION HISTORY

REV	DESCRIPTION	DATE	APPROVED	CR
A0	Initial Release		DG	

Material		Finish	
SCALE: DNS		© Little Anvil www.littleanvil.com	
Designed by DavidG	Checked by NM	Approved by DG	Date 15/08/2018
Dimensions in millimetres Limit on untoleranced unmachined dimensions ± 0.2mm No decimal place 1mm 1 decimal place ± 0.3mm 2 decimal places ± 0.1mm General unmachined angular tolerance ± 1° Tolerance to be non-cumulative		Receiver Wireless RF Dimmer Constant Voltage 1 Channel LA-REC-1C8A	
		Revision	Sheet 1 / 1