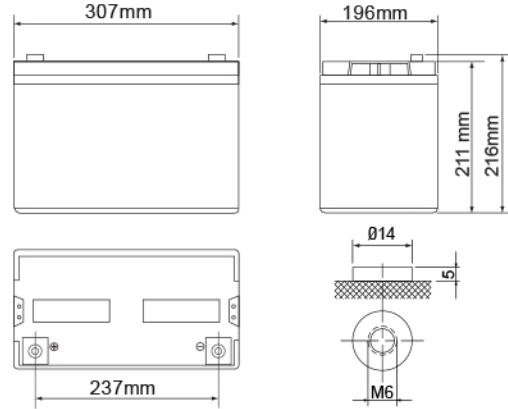




ENERWATT

WPHR12-99



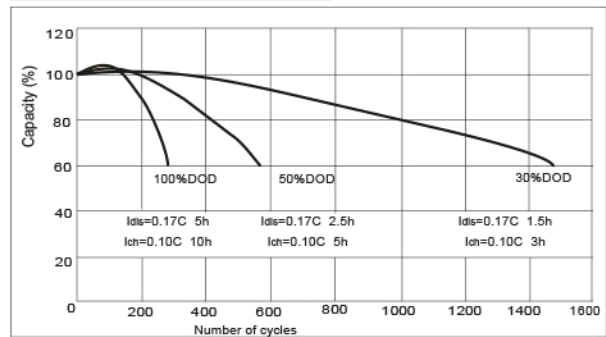
Specifications

Nominal Voltage	12V	
Rated capacity (20 Hour rate)	99Ah	
Dimensions	Longeur / Length	307 mm / 12.08"
	Largeur / Width	169 mm / 6.65"
	Hauteu / Height	211 mm / 8.30"
	Hauteur total Total Height	216 mm / 8.50"
Poids approx/ Weight Approx	28Kg / 61.88 lbs	

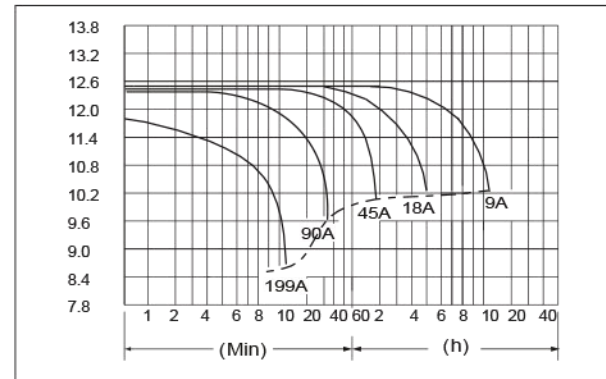
Characteristics

Capacity 25°C (77°F)	10 hour rate (9A)	90AH
	5 hour rate (14.4A)	72AH
	1 hour rate (54A)	54AH
Internal Resistance	Full charged Battery at 25°C(77°F)	4.6mΩ
Capacity affected by Temperature (10 Hour rate)	40°C (104°F)	102%
	25°C (77°F)	100%
	0°C (32°F)	85%
	-15°C (5°F)	65%
Self-Discharge at 25°C (77°F)	Capacity after 3 month storage	91%
	Capacity after 6 month storage	82%
	Capacity after 12 month storage	64%
Terminal	T16	
Charge (constant Voltage)	Cycle	Initial Charging Current less than 36A Voltage 14.10-14.40V
	Float	Voltage 13.50-13.80V

Curves of cycle life 25°C



Discharge Curves 25°C (77°F)



Constant Current (Amp) and Constant Power (watt) Discharge Table at 25°C (77°F)

Time		5min	10min	15min	30min	1h	2h	3h	4h	5h	8h	10h	20h
9.60V	A	288	190	153	103	54	32	23.1	18	14.9	10.5	9.5	5.1
	W	2975	2028	1641	1103	583	346	257.4	202.5	168.8	120.7	109.1	59.3
10.20V	A	279	171	144	98	51	30	22.5	17.6	14.6	10.3	9.3	5
	W	2982	1913	1613	1101	574	346	260.6	204.1	170	120	108.9	58.1
10.50V	A	270	153	126	92	49	29	22	17.3	14.4	10.2	9.1	5
	W	2949	1744	1439	1056	569	340	255.9	202.2	168.8	119.6	107.6	58.5
10.80V	A	260	144	117	85	48	29	21.4	17	14	9.9	9	4.9
	W	2920	1666	1350	980	553	335	252.5	200.9	166	117	107	57.9
11.10V	A	52	135	108	76	46	28	20.7	16.6	13.7	9.6	8.6	4.6
	W	2853	1567	1259	885	540	330	245.9	197.2	163.3	115.3	103.2	55.6