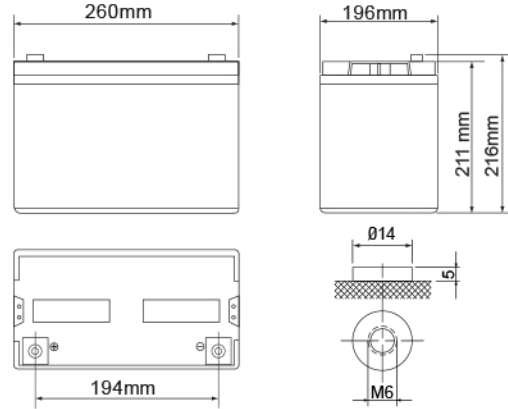




ENERWATT

WPHR12-88



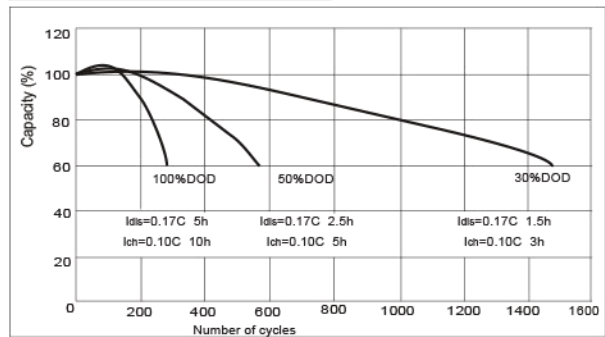
Specifications

Nominal Voltage	12V	
Rated capacity (20 Hour rate)	88Ah	
Dimensions	Longeur / Length	260 mm / 10.2"
	Largeur / Width	169 mm / 6.65"
	Hauteu / Height	211 mm / 8.30"
	Hauteur total Total Height	216 mm / 8.50"
Poids approx/ Weight Approx	23.5Kg / 51.93 lbs	

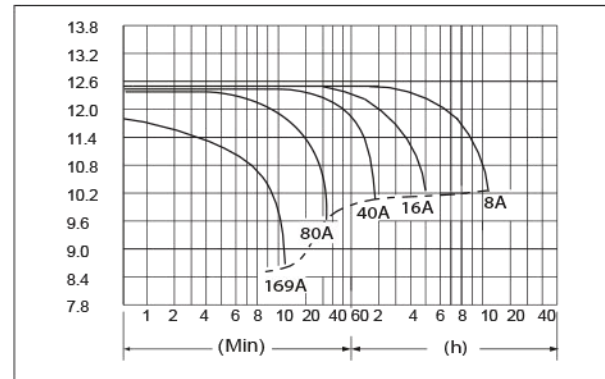
Characteristics

Capacity 25°C (77°F)	10 hour rate (8A)	80AH
	5 hour rate (12.8A)	64AH
	1 hour rate (48A)	48AH
Internal Resistance	Full charged Battery at 25°C(77°F)	4.9mΩ
Capacity affected by Temperature (10 Hour rate)	40°C (104°F)	102%
	25°C (77°F)	100%
	0°C (32°F)	85%
	-15°C (5°F)	65%
Self-Discharge at 25°C (77°F)	Capacity after 3 month storage	91%
	Capacity after 6 month storage	82%
	Capacity after 12 month storage	64%
Terminal	T16	
Charge (constant Voltage)	Cycle	Initial Charging Current less than 32A Voltage 14.10-14.40V
	Float	Voltage 13.50-13.80V

Curves of cycle life 25°C



Discharge Curves 25°C (77°F)



Constant Current (Amp) and Constant Power (watt) Discharge Table at 25°C (77°F)

Time		5min	10min	15min	30min	1h	2h	3h	4h	5h	8h	10h	20h
9.60V	A	256	169	136	91.2	48	28	20.6	16	13.2	9.36	8.40	4.54
	W	2644	1803	1459	981	518	307	229	180	150	107	97	52.7
10.20V	A	248	152	128	87.2	45.1	26.7	20	15.6	13	9.12	8.24	4.40
	W	2650	1701	1434	979	510	308	232	181	151	107	97	51.6
10.50V	A	240	136	112	81.6	43.7	26.1	19.5	15.4	12.8	9.04	8.08	4.40
	W	2622	1550	1279	939	506	302	227	180	150	106	96	52
10.80V	A	231	128	104	75.2	42.2	25.4	19	15.1	12.5	8.80	8	4.32
	W	2596	1481	1200	871	492	298	224	179	148	104	95	51.5
11.10V	A	224	120	96	67.2	40.8	24.8	18.4	14.7	12.2	8.56	7.60	4.08
	W	2536	1393	1119	786	480	293	219	175	145	103	91.7	49.4