

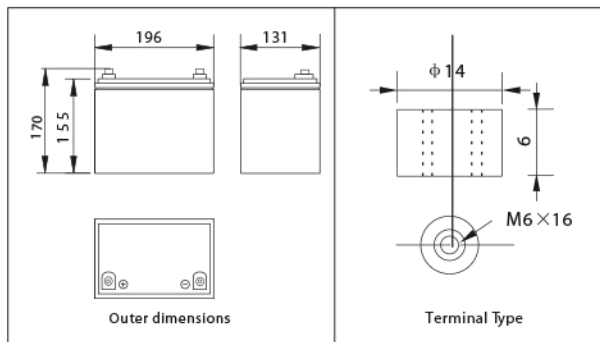


# ENERWATT

## WPHR12-38



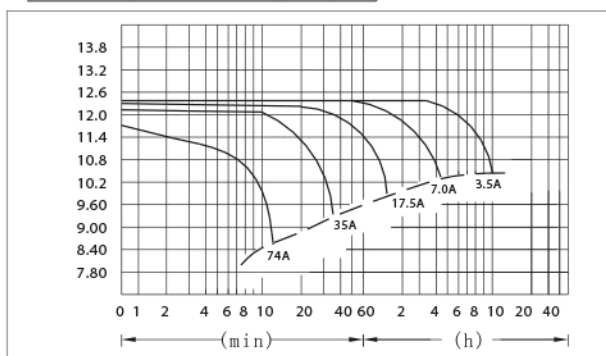
### Outer dimensions & Terminal (mm)



### Specifications

Nominal Voltage		12V
Rated capacity (20hour rate)		38 Ah
Dimensions	Total Height	180 mm (7.09 inches)
	Height	155 mm (6.10 inches)
	Length	196 mm (7.70 inches)
	Width	131mm (5.16inches)
Weight Approx		11.5Kg(25.3lbs)

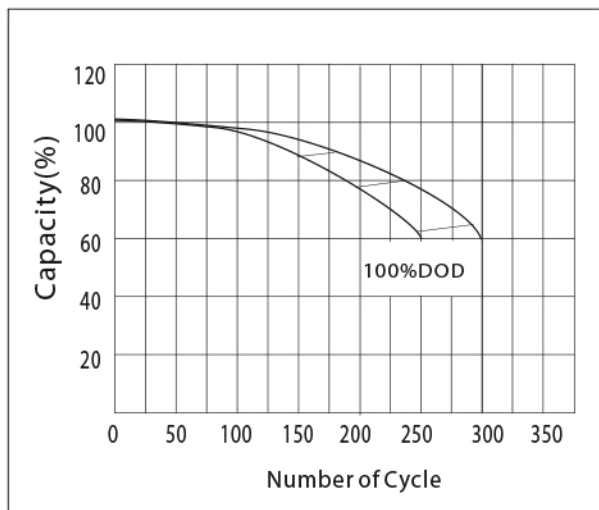
### Discharge Curves 25°C (77°F)



### Characteristics

Capacity 25°C(77°F)	10 hour rate(3.5A)	35 AH
	5 hour rate(5.6A)	28 AH
	1 hour rate(21.0A)	21 AH
	1.5 hour discharge to 10.5V	14 A
Internal Resistance	Full charged Battery at 25°C (77°F)	9 m Ω
Capacity affected by Temperature (10hour rate)	40°C(104°F)	102%
	25°C(77°F)	100%
	0°C(32°F)	85%
	-15°C(5°F)	65%
Self-Discharge at 25°C(77°F)	Capacity after 3 month storage	91%
	Capacity after 6 month storage	82%
	Capacity after 12 month storage	64%
Terminal	T16	
Charge (constant Voltage)	Cycle	
	Float	

### Cycling Curve 25°C (77°F)



Constant Current(Amp)and Constant Power(Watt) Discharge Table at 25 (77 ) °C °F

Time		10min	30min	1h	2h	3h	4h	5h	8h	10h	20h
9.60V	A	74	40	21	12	9.0	7.0	5.8	4.1	3.7	1.98
	W	820	427	243	142	104	81	67	47	43	23.0
10.20V	A	72	39	19.7	11.7	8.8	6.8	5.7	4.0	3.6	1.94
	W	789	423	229	135	101	79	66	46	42	22.4
10.50V	A	69	37	19	11.4	8.5	6.7	5.6	4.0	3.5	1.91
	W	764	400	221	132	99	78	65	46	41	22.1
10.80V	A	64	36	18	11.1	8.3	6.6	5.5	3.9	3.4	1.89
	W	735	385	212	130	97	76	64	45	41	22.0
11.10V	A	59	33	17	10.9	8.1	6.4	5.3	3.7	3.33	1.80
	W	722	382	206	129	96	76	63	45	40	21.4