

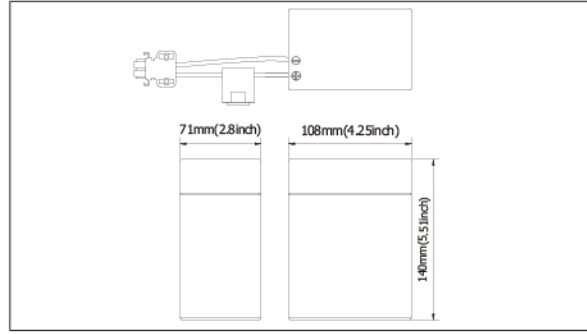


ENERWATT

WP14-6W/FH



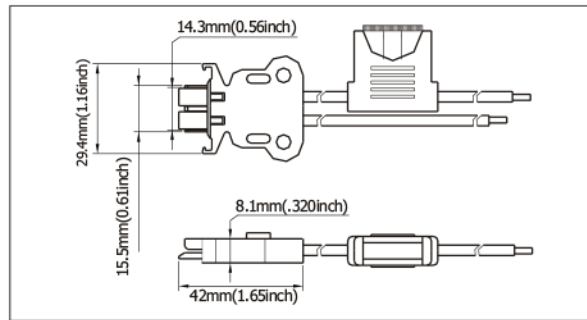
Outer dimensions



Specifications

Nominal Voltage	6V	
Rated capacity (20hour rate)	14 Ah	
Dimensions	Total Height	140 mm(5.5 1 inches)
	Height	140 mm(5.5 1 inches)
	Length	108 mm(4.25 inches)
	Width	70 mm(2.76 inches)
Weight Approx	2.1 Kg(4.63lbs)	

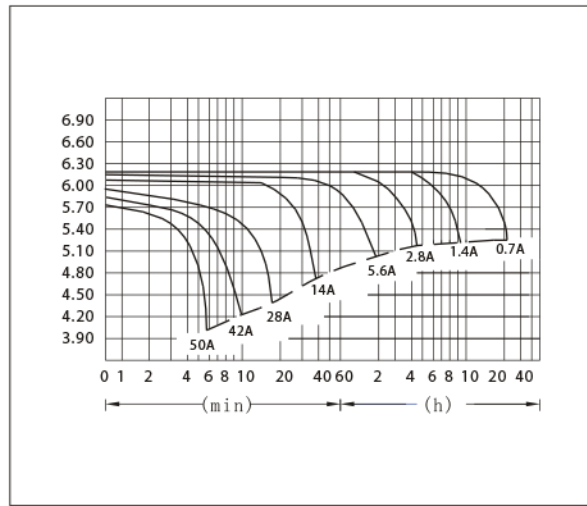
Terminal Type (mm)



Characteristics

Capacity 25°C(77°F)	20 hour rate(0.70A)	14.0AH
	10 hour rate(1.29A)	12.9AH
	5 hour rate(2.40A)	12.0AH
	1 hour rate(8.40A)	8.40AH
	1.5 hour discharge to 5.25 V	5.6A
Internal Resistance	Full charged Battery at 25 °C(77°F)	10 m Ω
Capacity affected by Temperature (20hour rate)	40°C(104°F)	102%
	25°C(77°F)	100%
	0°C(32°F)	85%
	-15°C(5°F)	65%
Self-Discharge at 25°C(77°F)	Capacity after 3 month storage	91%
	Capacity after 6 month storage	82%
	Capacity after 12 month storage	64%
Terminal	Tw10	
Charge (constant Voltage)	Cycle	Initial Charging Current less than 5.6A Voltage 7.05-7.20V
	Float	Voltage 6.75-6.90V

Discharge Curves 25 °C(77°F)



Constant Current(Amp) and Constant Power(Watt) Discharge Table at 25 (77) °C °F

Time	5min	10min	15min	30min	1h	2h	3h	4h	5h	8h	10h	20h
4.80V	A	50.4	31.6	24.5	16.1	8.40	4.90	3.61	2.89	2.46	1.62	0.72
	W	297.2	186.7	141.2	85.5	48.4	28.4	20.9	16.7	14.2	9.4	4.20
5.10V	A	46.2	30.9	22.5	15.3	7.89	4.70	3.50	2.80	2.41	1.59	0.71
	W	279.7	183.8	132.7	84.9	45.5	27.2	20.3	16.2	13.9	9.2	4.08
5.25V	A	42.8	29.5	21.0	14.8	7.63	4.61	3.44	2.66	2.40	1.58	0.70
	W	270.1	171.5	126.9	84.0	44.2	26.7	19.9	15.4	13.9	9.1	4.05
5.40V	A	39.0	28.2	19.6	14.1	7.37	4.49	3.38	2.61	2.28	1.53	0.68
	W	257.8	166.3	122.2	83.7	42.9	26.1	19.7	15.2	13.2	8.8	3.97
5.55V	A	33.7	26.6	18.2	13.2	7.12	4.38	3.21	2.57	2.18	1.49	0.67
	W	201.0	160.7	116.4	83.1	42.3	26.0	19.1	15.2	13.0	8.5	3.94

