

Tap Filter System

Model: F2, F3,
F5 & F7

Installation instructions,
care and use.

IMPORTANT

Please Read All Instructions Before Using

IMPORTANT SAFEGUARDS:

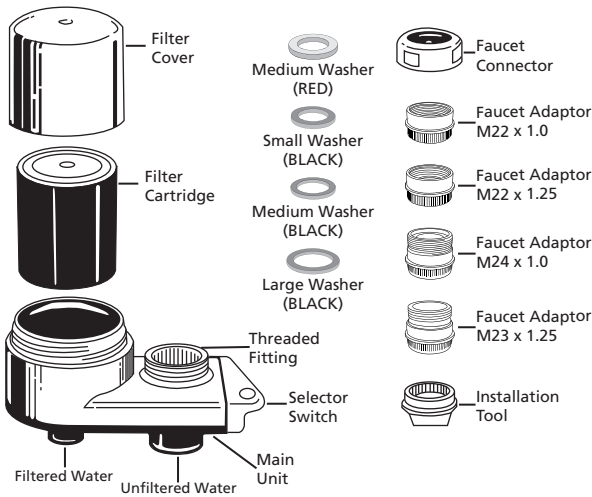
- Do not use with microbiologically unsafe water or water of unknown quality without adequate disinfection before or after the system. However, the filter within F5 & F7 may be used with disinfected water systems which may contain filterable cysts, such as giardia and cryptosporidium.
- Use the filtered mode only with COLD water, DO NOT FILTER HOT WATER.
- Not intended for outdoor applications.

SAVE THESE INSTRUCTIONS

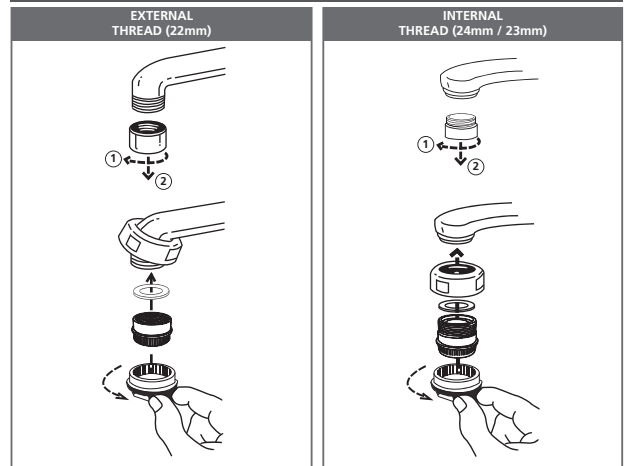
Instapure Brands, Inc.

3855 Precision Drive Building 180 Loveland, CO 80538 USA

1. PARTS LIST

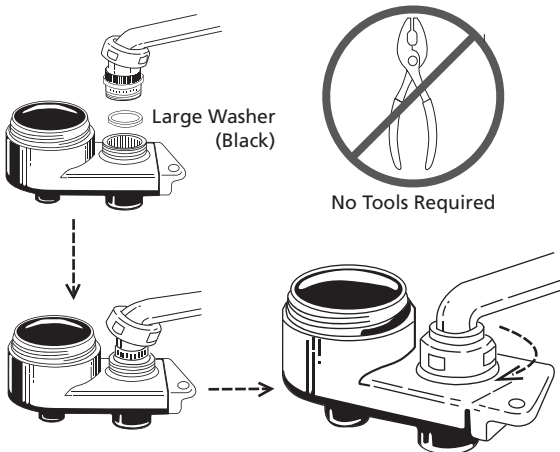


2. FAUCET SET-UP

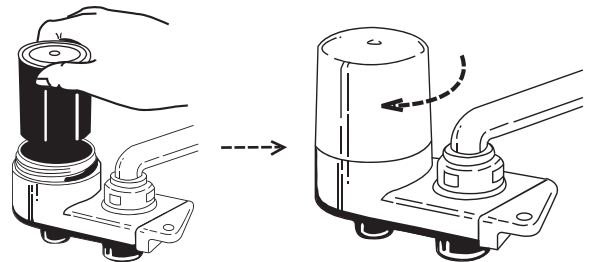


PLEASE CHECK the size and thread pitch of your faucet.
DO NOT use excessive force to tighten.

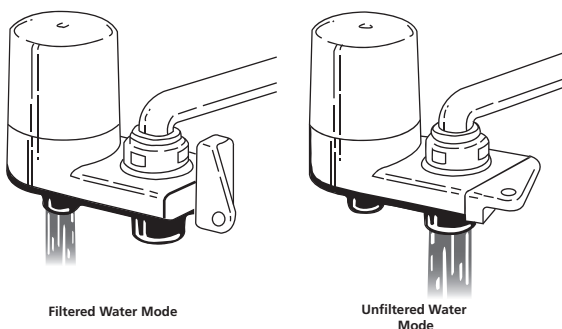
3. INSTALLATION



4. INSTALLING FILTER CARTRIDGE



5. USE



Filtered Water Mode

Unfiltered Water Mode

INSTALLATION INSTRUCTIONS

1. Remove faucet aerator. Unscrew the Faucet Connector from the Main Unit.
 - If the faucet threads are on the outside, place Small Black Washer inside the Faucet Adaptor. Slide the Faucet Connector over the end of faucet as far as it will go. Screw Faucet Adaptor onto the faucet. Use Installation Tool to tighten. Do not tighten with pliers.
 - If faucet threads are on the inside, turn Faucet Adaptor so the outside threads are on top. Place Medium Red Washer on top of Faucet Adaptor and screw into faucet using Installation Tool to tighten. Do not tighten with pliers.
2. Insert Large Black Washer inside Threaded Fitting of the Main Unit. Position Main Unit under faucet and slide Threaded Fitting over the Faucet Adaptor. Hand tighten the Faucet Connector onto Threaded Fitting on Main Unit.
3. Align holes in the Filter Cartridge with the posts on the Main Unit and press down until firmly in place. Replace Filter Cover and hand tighten. Do Not Over Tighten.
4. Turn Selector Switch to vertical position. Run cold water through to flush new filter cartridge for approximately 20 litres or more. (The flushed water can be used to water plants.) This flushing procedure has to be exercised for every new cartridge replaced.