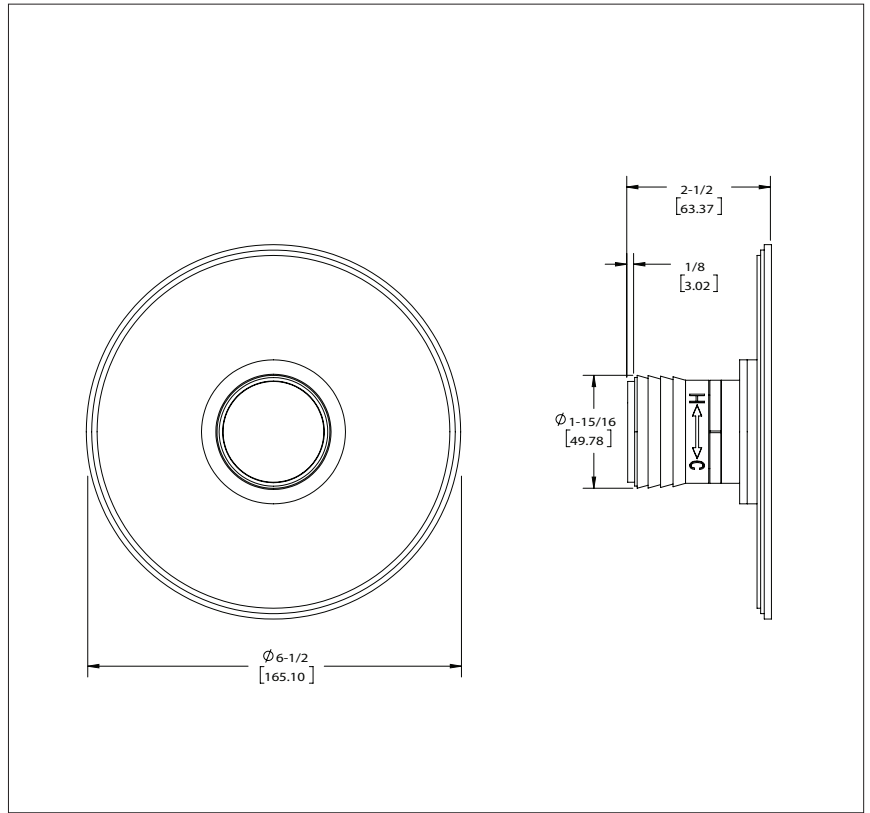


SHERLE WAGNER INTERNATIONAL

KEYSTONE THERMOSTATIC TRIM WITH INSERT TM012KY-S25-XXXX-XX



PRODUCT FEATURES

- o Available in all Sherle Wagner International finishes
- o Solid brass/bronze construction
- o Trim only used in conjunction with S25 Thermostatic Valve VLVE-TMO-S25
- o Available with metal (MLIN), stone, and ceramic inserts
- o Shown in Keystone dial with metal insert
- o Required add-ons for installation: VLVE-TMO-S25 in-wall Thermostatic Valve

AVAILABLE METAL FINISHES

PN Polished Nickel	SB Satin Brass	GP Gold Plate	ES English Silver	PE Black Pearl	SP Satin Platinum
CP Polished Chrome	OB Oil Rubbed Brass	AL Almond Gold	BS Butler Silver	BG Burnished Gold	HP High Polished Platinum
BN Brushed Nickel	PB Polished Brass	RG Rose Gold	AP Antique Pewter	AG Antique Gold	BP Burnished Platinum
BC Brushed Chrome					

AVAILABLE STONE INSERTS

BKOX Black Onyx	WHOX White Onyx	HNOX Honey Onyx	PKOX Pink Onyx	GROX Green Onyx	BROX Brown Onyx
RKCR Rock Crystal	AMET Amethyst	BRTI Brown Tiger Eye	MALA Malachite	JASP Jasper	RHOD Rhodochrosite
RSQU Rose Quartz	BKOB Black Obsidian	BLTI Blue Tiger Eye	LAPI Lapis Lazuli		

AVAILABLE SEMIPRECIOUS INSERTS

BL01 Bermuda	BL05 Aegean	GR04 Olive	RD02 Merlot	WHT White	14GP Burnished Gold
BL02 Silver Blue	GR01 Chartreuse	GR05 Sage Grey	VT01 Aubergine	SWHT Satin White	15PL Burnished Platinum
BL03 Slate Blue	GR02 Leaf Green	OR02 Walnut	YL01 Sunflower	SND Sand	17HP Highly Polished Platinum
BL04 Royal Blue	GR03 Blue Spruce	RD01 Poppy		SBLK Satin Black	

The measurements shown are for reference only. Products and specifications shown are subject to change without notice.