

# SHERLE WAGNER INTERNATIONAL

## ACANTHUS HIGH FLOW THERMOSTATIC TRIM WITH INSERT TM002 XX-XXXX-XX



TM002AC-LOGO-GP

### PRODUCT FEATURES

- o Available in all Sherle Wagner International finishes
- o Solid brass/bronze construction
- o Trim only used in conjunction with 3/4" High Flow Thermostatic Valve VLVE-TMO
- o Available with SW logo, metal (MLIN) and stone inserts
- o Available with Plain (PL), Knurled (KN) and Acanthus (AC) dials
- o Figure shown in Plain (PL) dial with SW logo insert
- o Required add-ons for installation:  
VLVE-TMO 3/4" in-wall High Flow Thermostatic Valve

### AVAILABLE METAL FINISHES

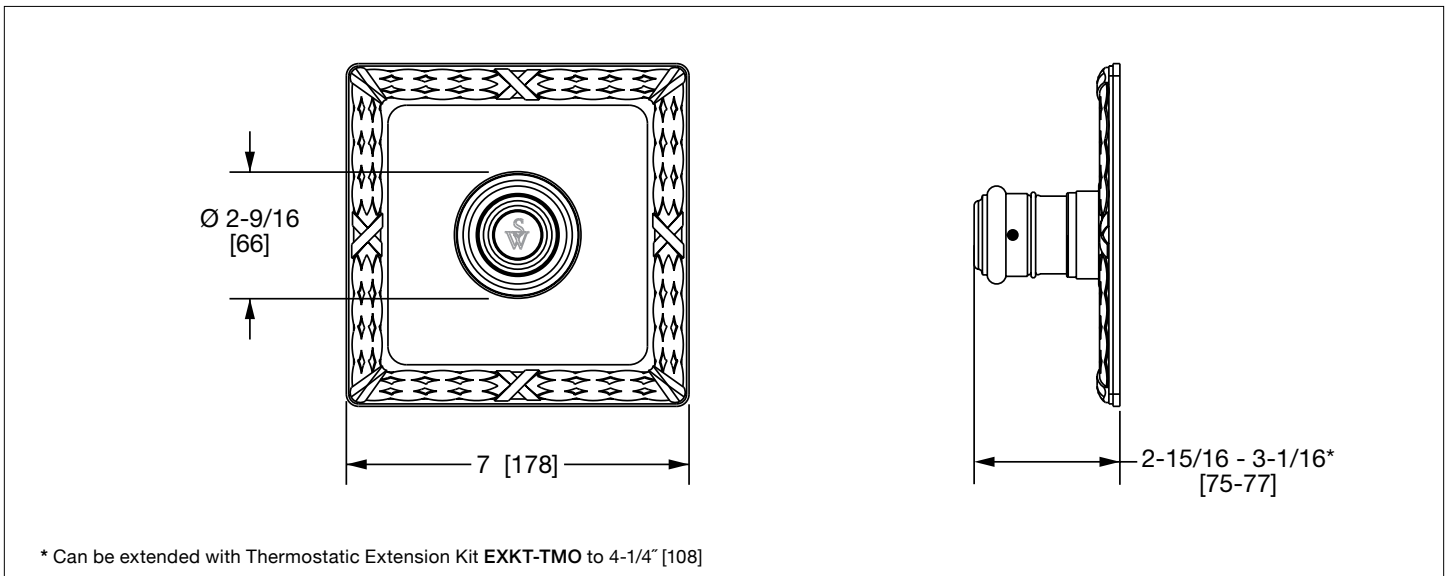
PN Polished Nickel	PB Polished Brass	ES English Silver	AG Antique Gold
CP Polished Chrome	FP Flemish Patina	BS Butler Silver	SP Satin Platinum
BN Brushed Nickel	EP English Patina	RG Rose Gold	HP High Polished Platinum
BC Brushed Chrome	VA Verdi Antique	AP Antique Pewter	BP Burnished Platinum
SB Satin Brass	GP Gold Plate	PE Black Pearl	
OB Oil Rubbed Brass	AL Almond Gold	BG Burnished Gold	

### AVAILABLE ONYX INSERTS

BROX Brown Onyx	CROX Cream Onyx	WHOX White Onyx	HNOX Honey Onyx
PKOX Pink Onyx	BKOX Black Onyx	GROX Green Onyx	

### AVAILABLE SEMIPRECIOUS INSERTS

RKCR Rock Crystal	RSQU Rose Quartz	AMET Amethyst	BKOB Black Obsidian
BRTI Brown Tiger Eye	BLTI Blue Tiger Eye	MALA Malachite	
JASP Jasper	RHOD Rhodochrosite	LAPI Lapis Lazuli	



\* Can be extended with Thermostatic Extension Kit EXKT-TMO to 4-1/4" [108]