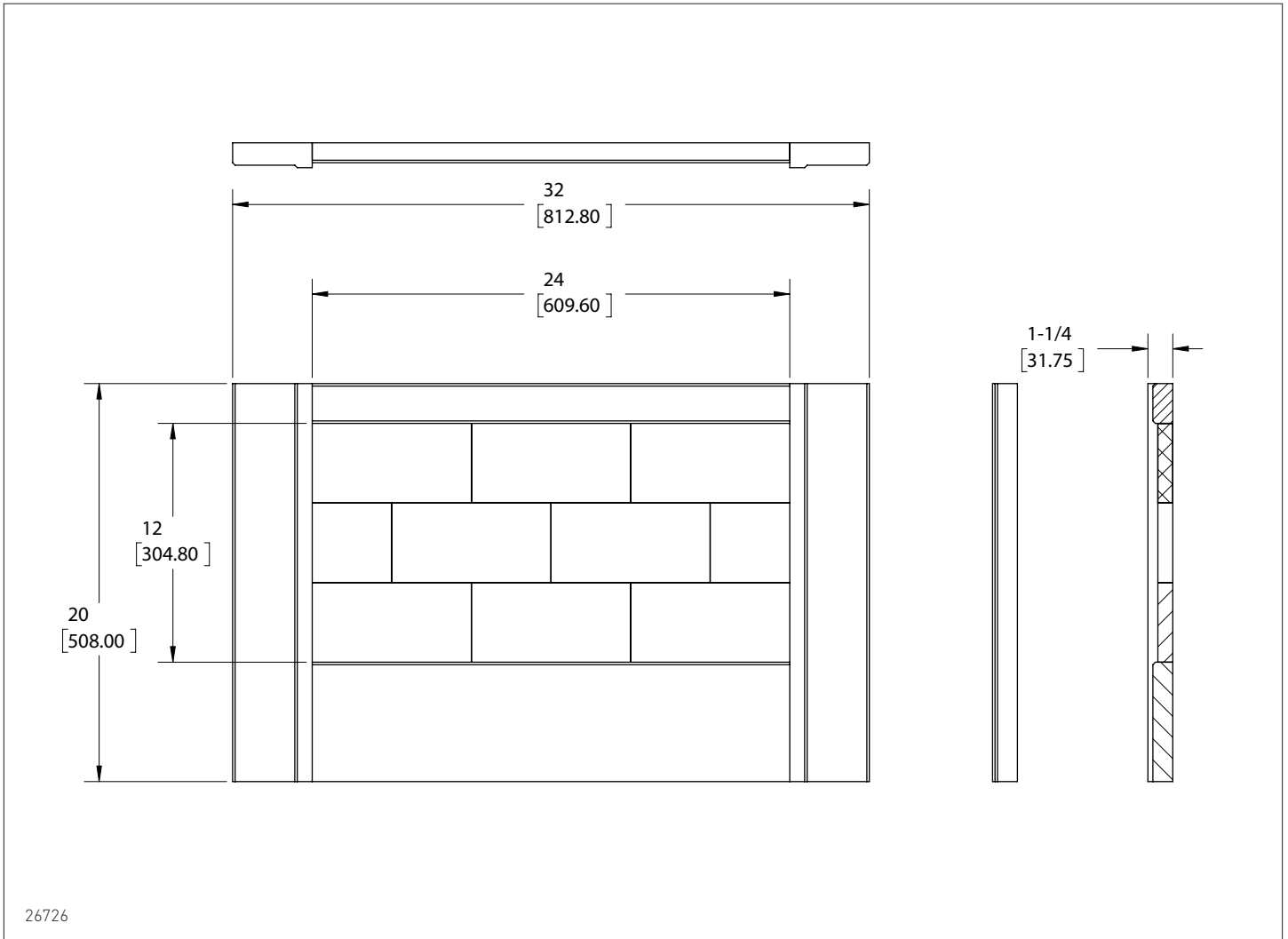


SHERLE WAGNER INTERNATIONAL

ASSEMBLY DISPLAY STONE MOULDING TYPE D 26726



PRODUCT FEATURES

- o Carved from solid block of stone
- o Available in various marble and onyx
- o Note: All dimensions vary from piece to piece. Consult your SWI representative for details

AVAILABLE MARBLE

| | | | |
|------------------|---------------------|----------------------|-------------------------|
| RSAU Rose Aurora | CAGR Carnico Grey | PORT Portoro | VERD Verdi Viana |
| ARAB Arabescato | NEMA Negro Marquina | RSDM Rosa Du Monte | THAS Ultra White Thasos |
| CARR Cararra | MARI Marianella | CALA Calacatta | CREMA Crema Marfil |
| RUVI Ruvina | PTLA Port Laurent | IMBR Imperador Brown | |

AVAILABLE ONYX

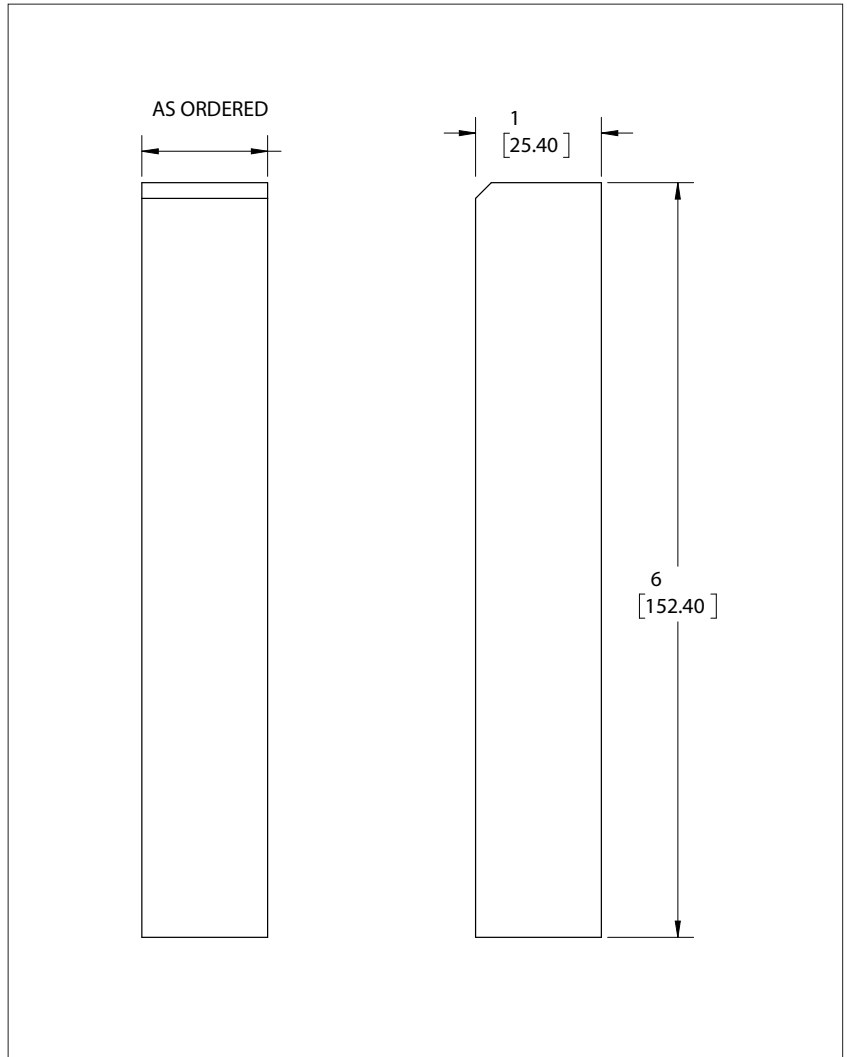
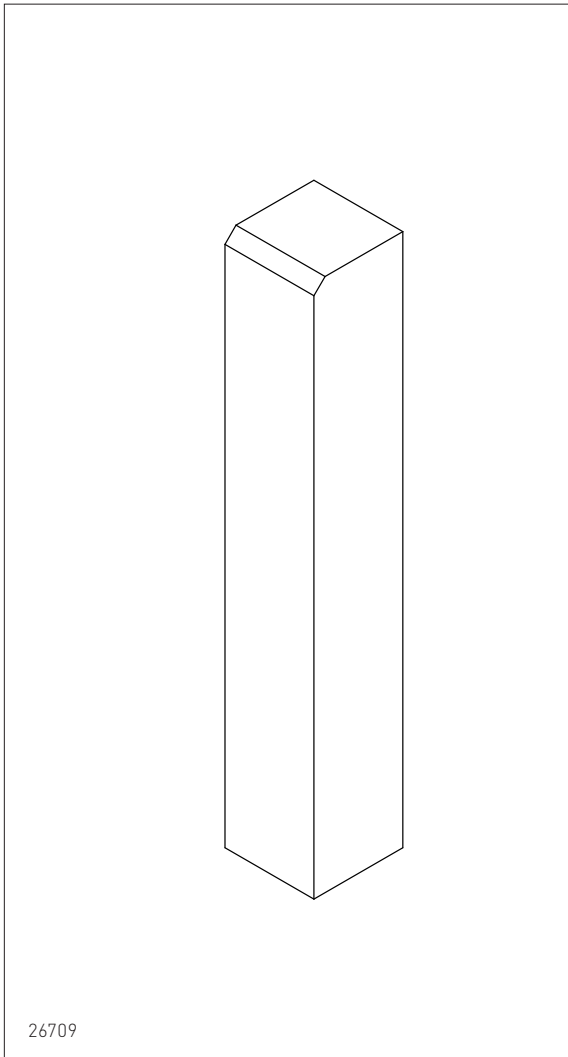
| | | | |
|-----------------|-----------------|-----------------|-----------------|
| BROX Brown Onyx | GROX Green Onyx | WHOX White Onyx | HNOX Honey Onyx |
| PKOX Pink Onyx | BKOX Black Onyx | | |

The measurements shown are for reference only. Products and specifications shown are subject to change without notice.

Rev A

SHERLE WAGNER INTERNATIONAL

MOULDING STONE BASEBOARD TYPE D 26709



PRODUCT FEATURES

- o Carved from solid block of stone
- o Available in various marble and onyx
- o Note: All dimensions vary from piece to piece. Consult your SWI representative for details

AVAILABLE MARBLE

RSAU Rose Aurora
ARAB Arabescato
CARR Cararra
RUVI Ruvina

CAGR Carnico Grey
NEMA Negro Marquina
MARI Marianella
PTLA Port Laurent

PORT Portoro
RSDM Rosa Du Monte
CALA Calacatta
IMBR Imperador Brown

VERD Verdi Viana
THAS Ultra White Thasos
CREMA Crema Marfil

AVAILABLE ONYX

BROX Brown Onyx
PKOX Pink Onyx

GROX Green Onyx
BKOX Black Onyx

WHOX White Onyx

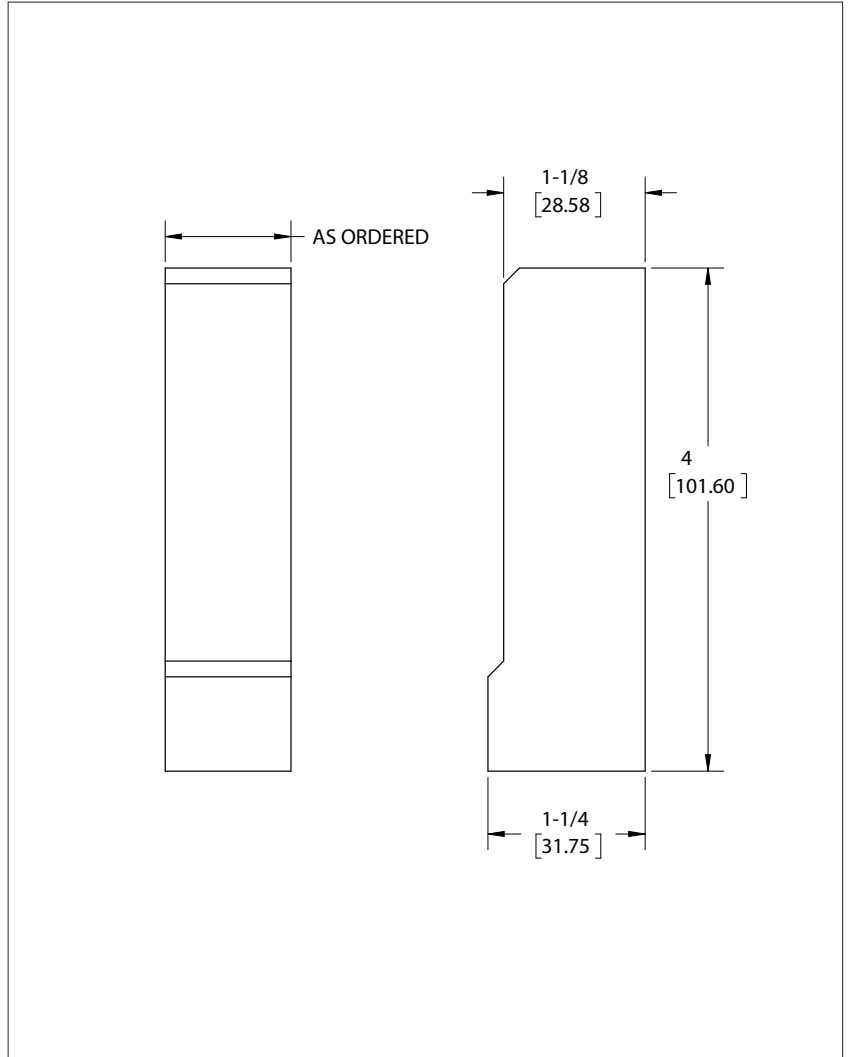
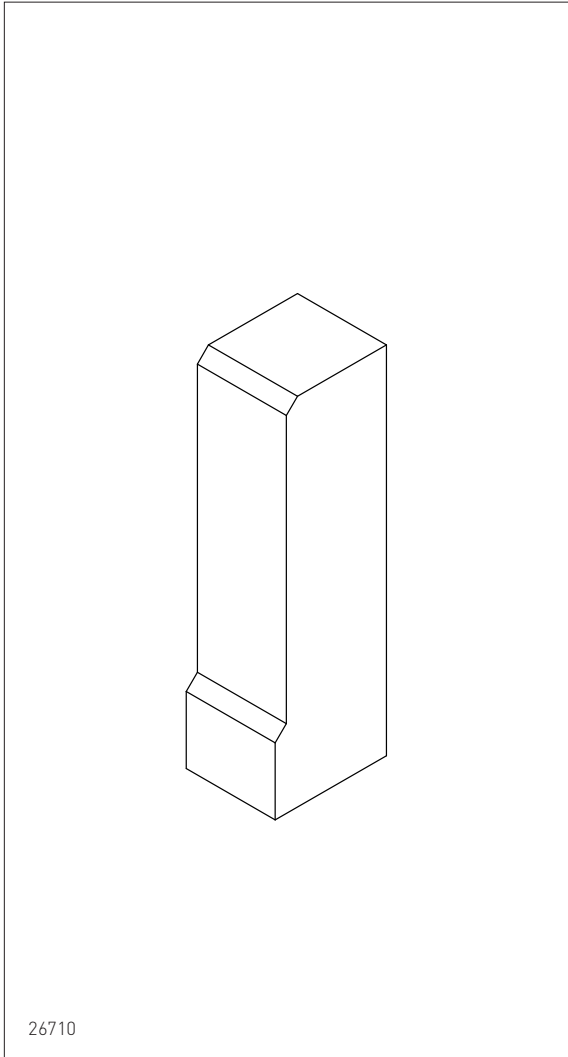
HNOX Honey Onyx

The measurements shown are for reference only. Products and specifications shown are subject to change without notice.

Rev A

SHERLE WAGNER INTERNATIONAL

MOULDING STONE CASING TYPE D 26710



PRODUCT FEATURES

- o Carved from solid block of stone
- o Available in various marble and onyx
- o Note: All dimensions vary from piece to piece. Consult your SWI representative for details

AVAILABLE MARBLE

RSAU Rose Aurora
ARAB Arabescato
CARR Cararra
RUVI Ruvina

CAGR Carnico Grey
NEMA Negro Marquina
MARI Marianella
PTLA Port Laurent

PORT Portoro
RSDM Rosa Du Monte
CALA Calacatta
IMBR Imperador Brown

VERD Verdi Viana
THAS Ultra White Thasos
CREMA Crema Marfil

AVAILABLE ONYX

BROX Brown Onyx
PKOX Pink Onyx

GROX Green Onyx
BKOX Black Onyx

WHOX White Onyx

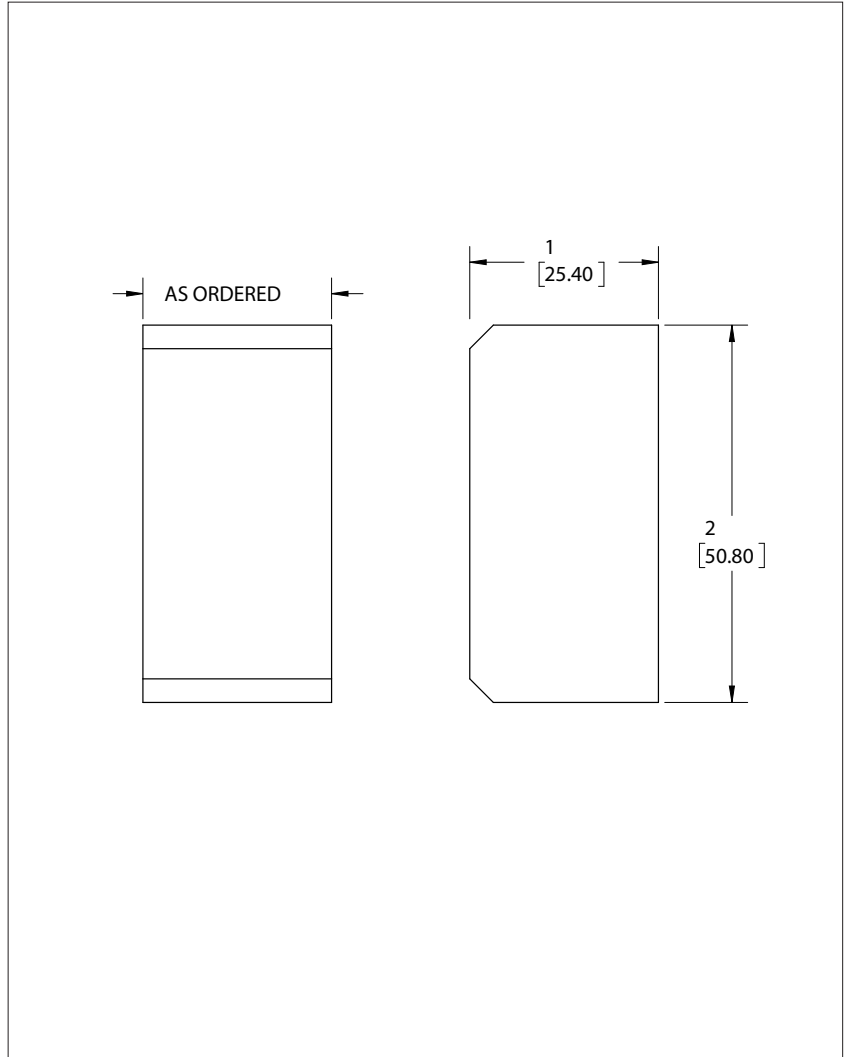
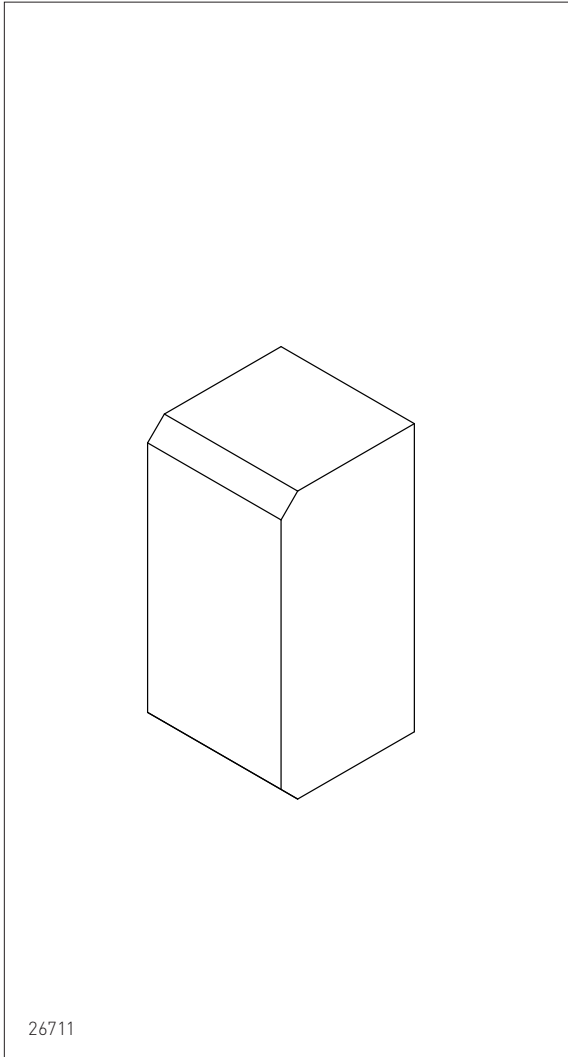
HNOX Honey Onyx

The measurements shown are for reference only. Products and specifications shown are subject to change without notice.

Rev A

SHERLE WAGNER INTERNATIONAL

MOULDING STONE CHAIR RAIL TYPE D 26711



PRODUCT FEATURES

- o Carved from solid block of stone
- o Available in various marble and onyx
- o Note: All dimensions vary from piece to piece. Consult your SWI representative for details

AVAILABLE MARBLE

RSAU Rose Aurora
ARAB Arabescato
CARR Cararra
RUVI Ruvina

CAGR Carnico Grey
NEMA Negro Marquina
MARI Marianella
PTLA Port Laurent

PORT Portoro
RSDM Rosa Du Monte
CALA Calacatta
IMBR Imperador Brown

VERD Verdi Viana
THAS Ultra White Thasos
CREMA Crema Marfil

AVAILABLE ONYX

BROX Brown Onyx
PKOX Pink Onyx

GROX Green Onyx
BKOX Black Onyx

WHOX White Onyx

HNOX Honey Onyx

The measurements shown are for reference only. Products and specifications shown are subject to change without notice.

Rev A