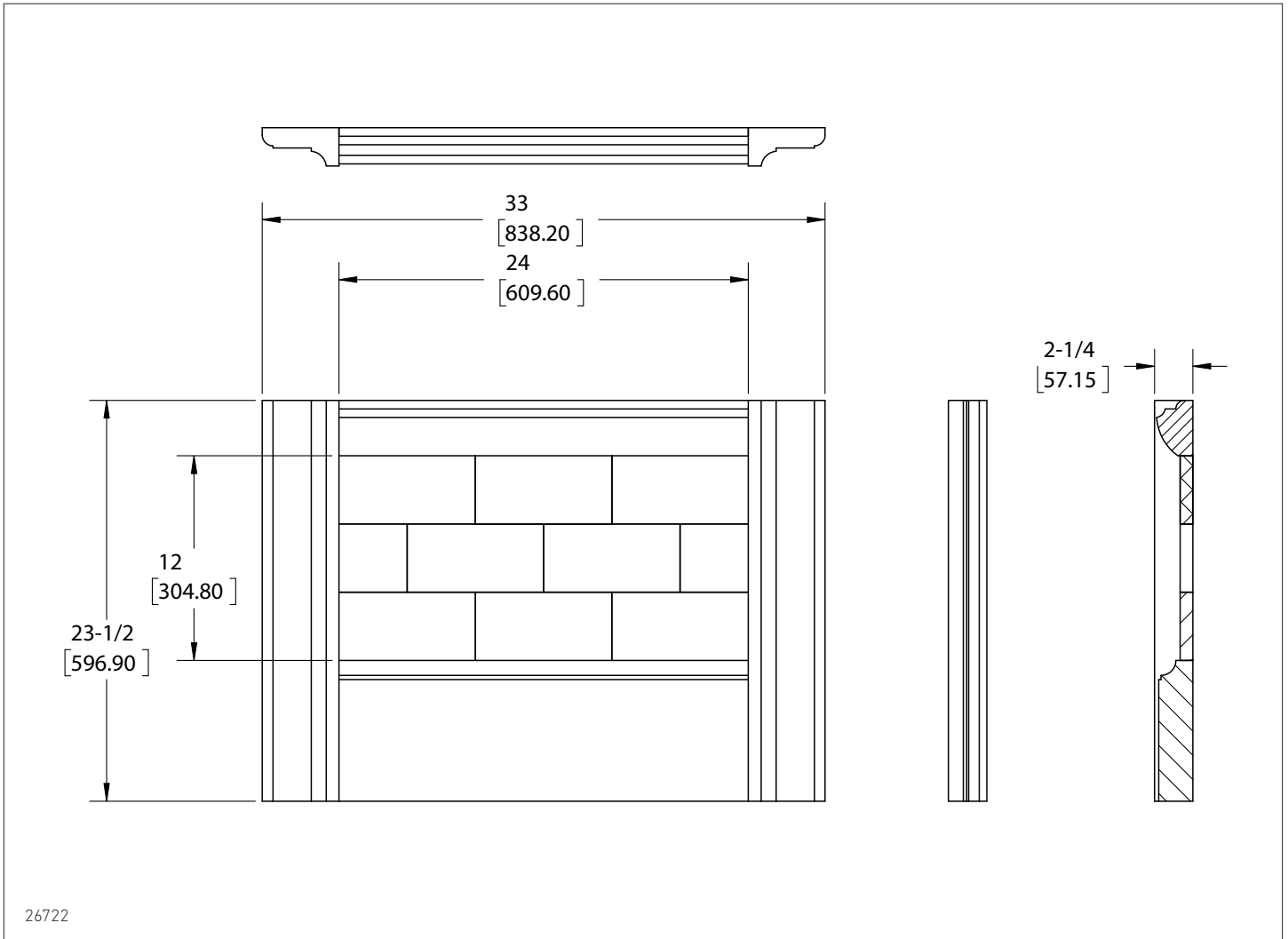


SHERLE WAGNER INTERNATIONAL

ASSEMBLY DISPLAY STONE MOULDING TYPE C 26722



PRODUCT FEATURES

- o Carved from solid block of stone
- o Available in various marble and onyx
- o Note: All dimensions vary from piece to piece. Consult your SWI representative for details

AVAILABLE MARBLE

RSAU Rose Aurora
ARAB Arabescato
CARR Cararra
RUVI Ruvina

CAGR Carnico Grey
NEMA Negro Marquina
MARI Marianella
PTLA Port Laurent

PORT Portoro
RSDM Rosa Du Monte
CALA Calacatta
IMBR Imperador Brown

VERD Verdi Viana
THAS Ultra White Thasos
CREMA Crema Marfil

AVAILABLE ONYX

BROX Brown Onyx
PKOX Pink Onyx

GROX Green Onyx
BKOX Black Onyx

WHOX White Onyx

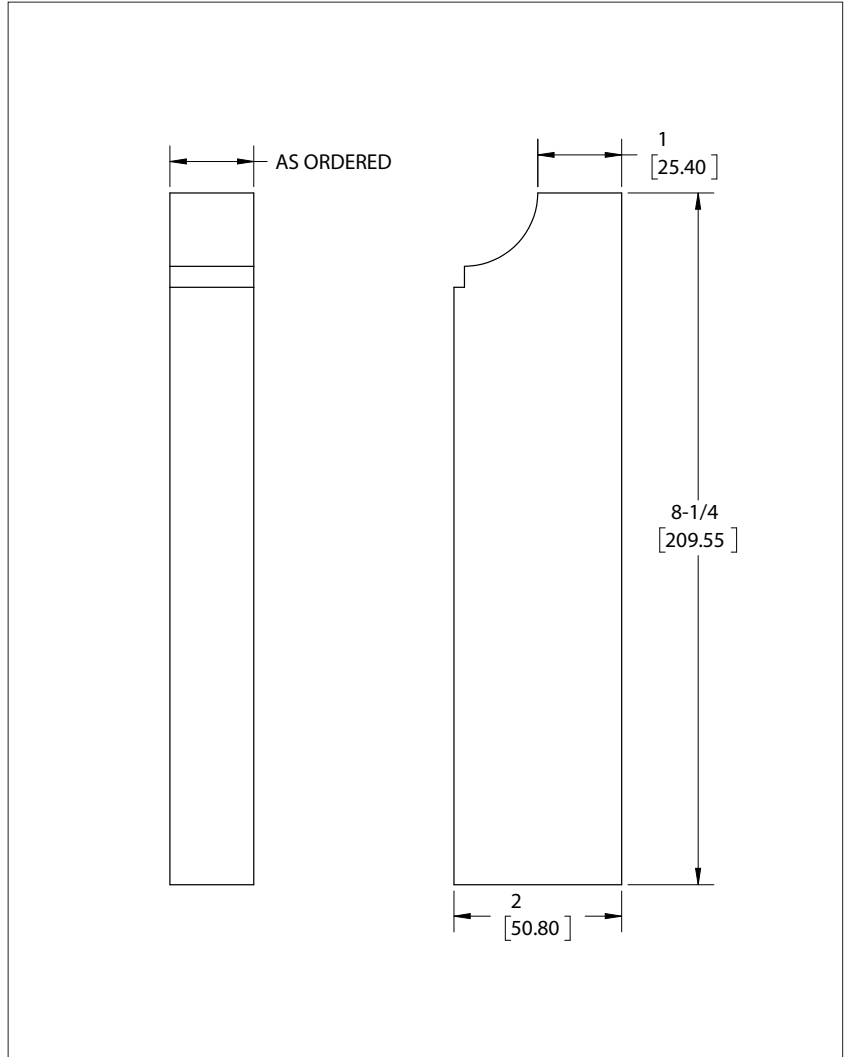
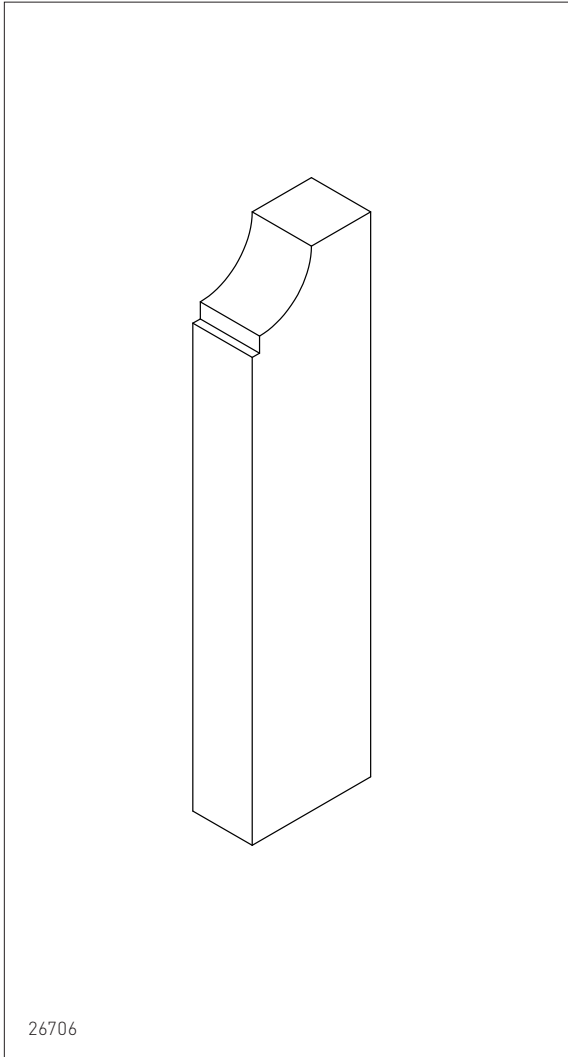
HNOX Honey Onyx

The measurements shown are for reference only. Products and specifications shown are subject to change without notice.

Rev A

SHERLE WAGNER INTERNATIONAL

MOULDING STONE BASEBOARD TYPE C 26706



PRODUCT FEATURES

- o Carved from solid block of stone
- o Available in various marble and onyx
- o Note: All dimensions vary from piece to piece. Consult your SWI representative for details

AVAILABLE MARBLE

RSAU Rose Aurora
 ARAB Arabescato
 CARR Cararra
 RUVI Ruvina

CAGR Carnico Grey
 NEMA Negro Marquina
 MARI Marianella
 PTLA Port Laurent

PORT Portoro
 RSDM Rosa Du Monte
 CALA Calacatta
 IMBR Imperador Brown

VERD Verdi Viana
 THAS Ultra White Thasos
 CREMA Crema Marfil

AVAILABLE ONYX

BROX Brown Onyx
 PKOX Pink Onyx

GROX Green Onyx
 BKOX Black Onyx

WHOX White Onyx

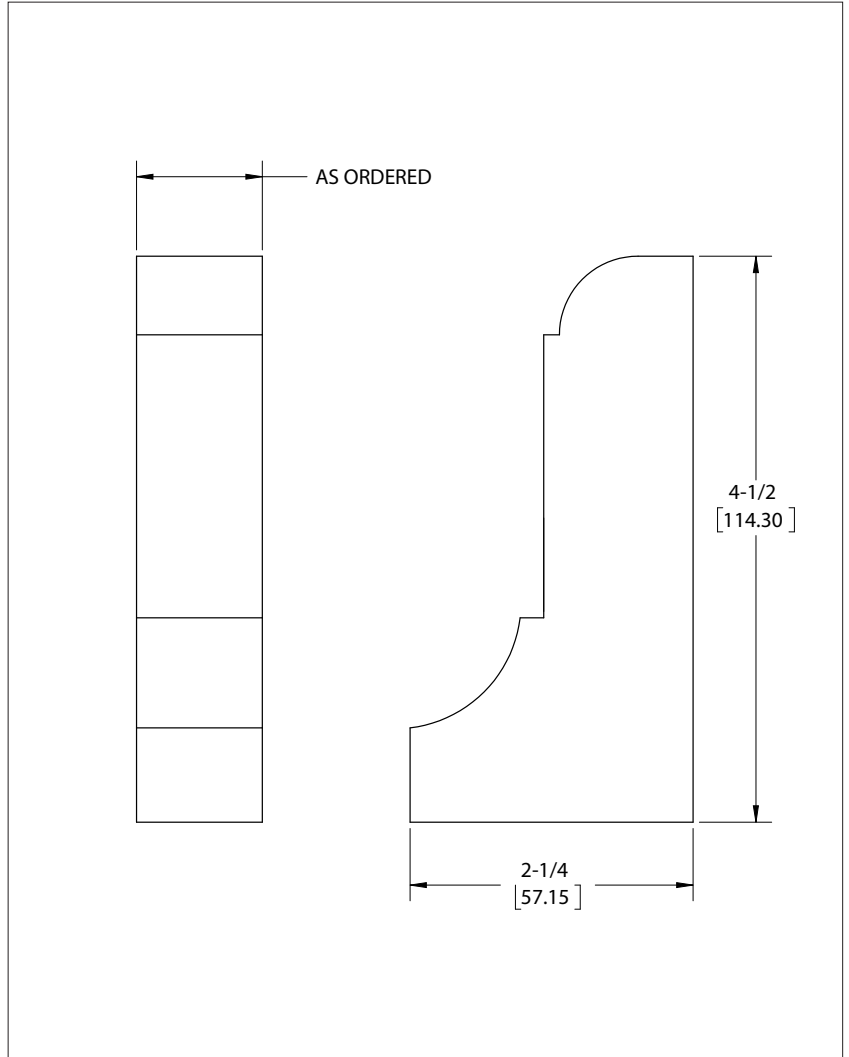
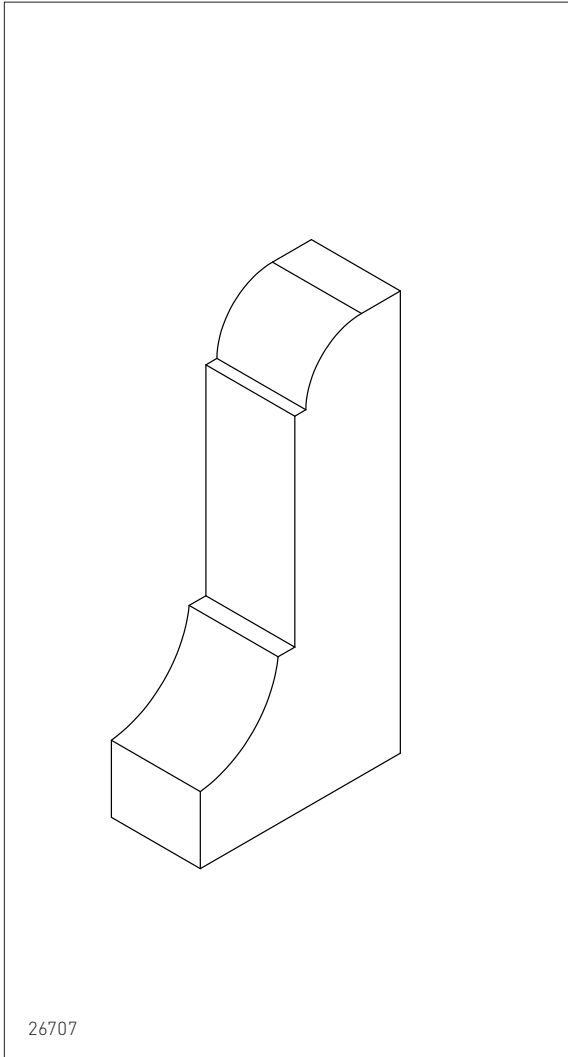
HNOX Honey Onyx

The measurements shown are for reference only. Products and specifications shown are subject to change without notice.

Rev A

SHERLE WAGNER INTERNATIONAL

MOULDING STONE CASING TYPE C 26707



PRODUCT FEATURES

- o Carved from solid block of stone
- o Available in various marble and onyx
- o Note: All dimensions vary from piece to piece. Consult your SWI representative for details

AVAILABLE MARBLE

RSAU Rose Aurora
ARAB Arabescato
CARR Cararra
RUVI Ruvina

CAGR Carnico Grey
NEMA Negro Marquina
MARI Marianella
PTLA Port Laurent

PORT Portoro
RSDM Rosa Du Monte
CALA Calacatta
IMBR Imperador Brown

VERD Verdi Viana
THAS Ultra White Thasos
CREMA Crema Marfil

AVAILABLE ONYX

BROX Brown Onyx
PKOX Pink Onyx

GROX Green Onyx
BKOX Black Onyx

WHOX White Onyx

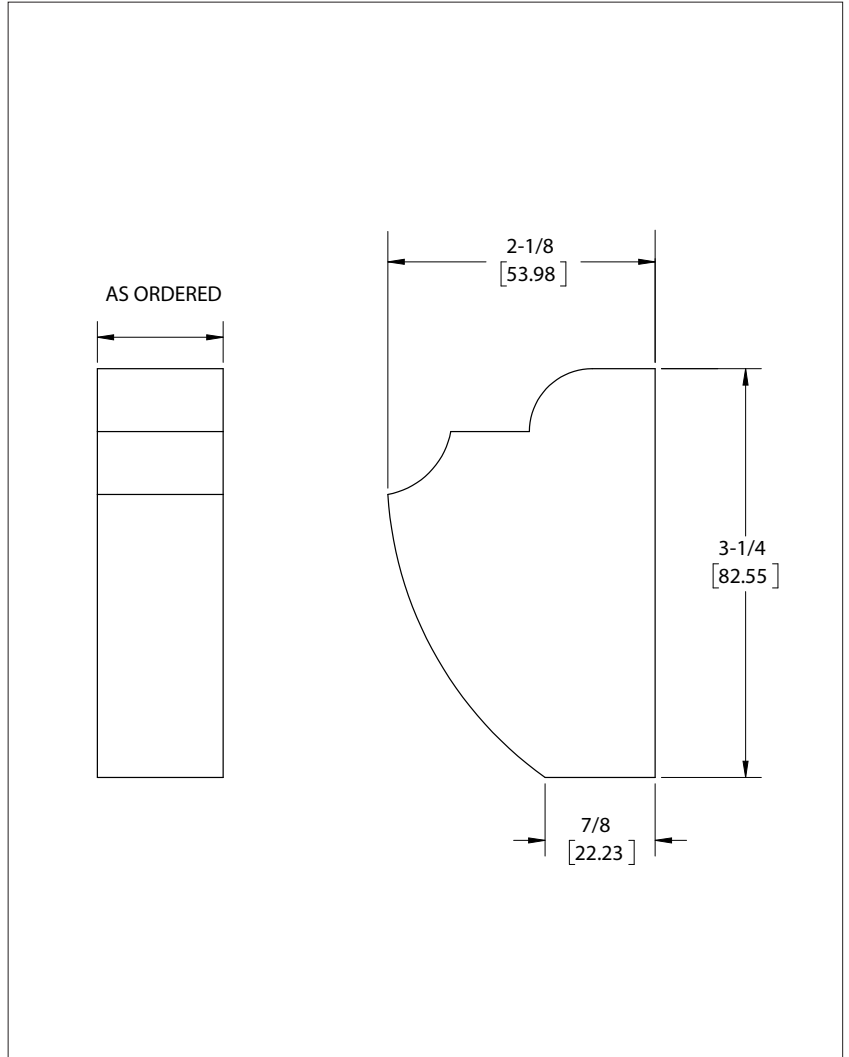
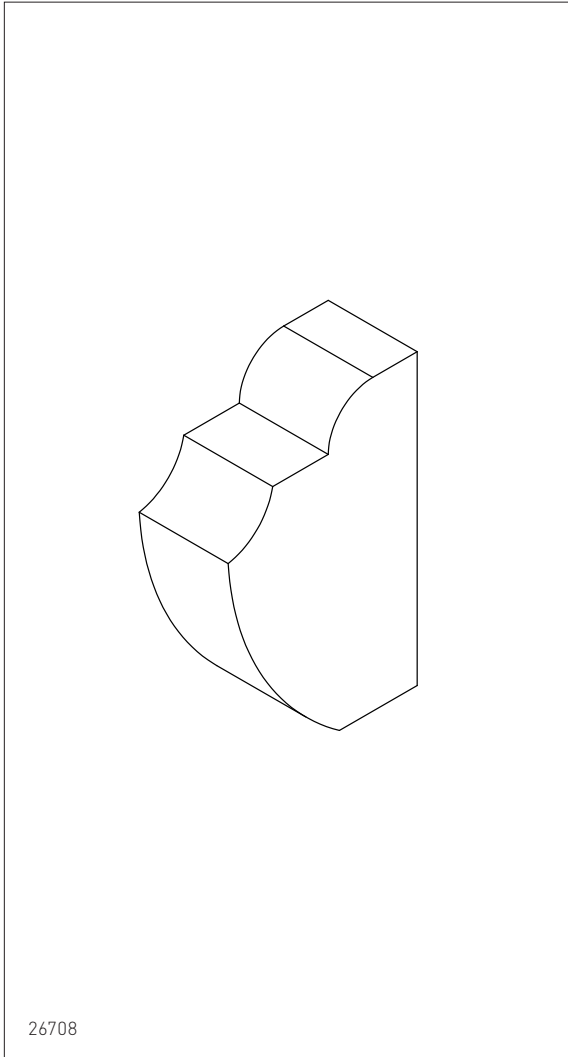
HNOX Honey Onyx

The measurements shown are for reference only. Products and specifications shown are subject to change without notice.

Rev A

SHERLE WAGNER INTERNATIONAL

MOULDING STONE CHAIR RAIL TYPE C 26708



PRODUCT FEATURES

- o Carved from solid block of stone
- o Available in various marble and onyx
- o Note: All dimensions vary from piece to piece. Consult your SWI representative for details

AVAILABLE MARBLE

RSAU Rose Aurora
ARAB Arabescato
CARR Cararra
RUVI Ruvina

CAGR Carnico Grey
NEMA Negro Marquina
MARI Marianella
PTLA Port Laurent

PORT Portoro
RSDM Rosa Du Monte
CALA Calacatta
IMBR Imperador Brown

VERD Verdi Viana
THAS Ultra White Thasos
CREMA Crema Marfil

AVAILABLE ONYX

BROX Brown Onyx
PKOX Pink Onyx

GROX Green Onyx
BKOX Black Onyx

WHOX White Onyx

HNOX Honey Onyx

The measurements shown are for reference only. Products and specifications shown are subject to change without notice.

Rev A