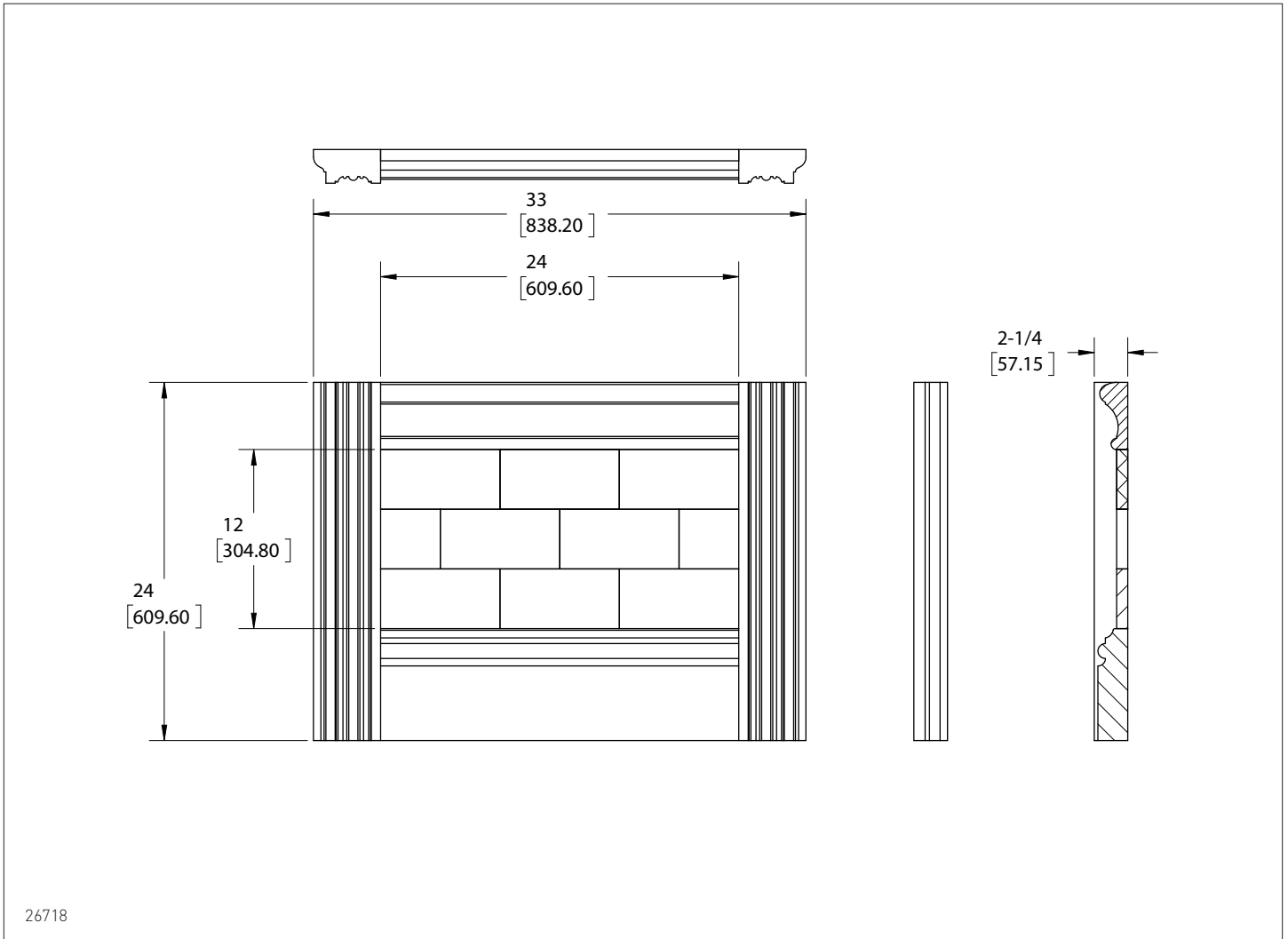


# SHERLE WAGNER INTERNATIONAL

## ASSEMBLY DISPLAY STONE MOULDING TYPE A 26718



### PRODUCT FEATURES

- o Carved from solid block of stone
- o Available in various marble and onyx
- o Note: All dimensions vary from piece to piece. Consult your SWI representative for details

### AVAILABLE MARBLE

RSAU Rose Aurora  
ARAB Arabescato  
CARR Cararra  
RUVI Ruvina

CAGR Carnico Grey  
NEMA Negro Marquina  
MARI Marianella  
PTLA Port Laurent

PORT Portoro  
RSDM Rosa Du Monte  
CALA Calacatta  
IMBR Imperador Brown

VERD Verdi Viana  
THAS Ultra White Thasos  
CREMA Crema Marfil

### AVAILABLE ONYX

BROX Brown Onyx  
PKOX Pink Onyx

GROX Green Onyx  
BKOX Black Onyx

WHOX White Onyx

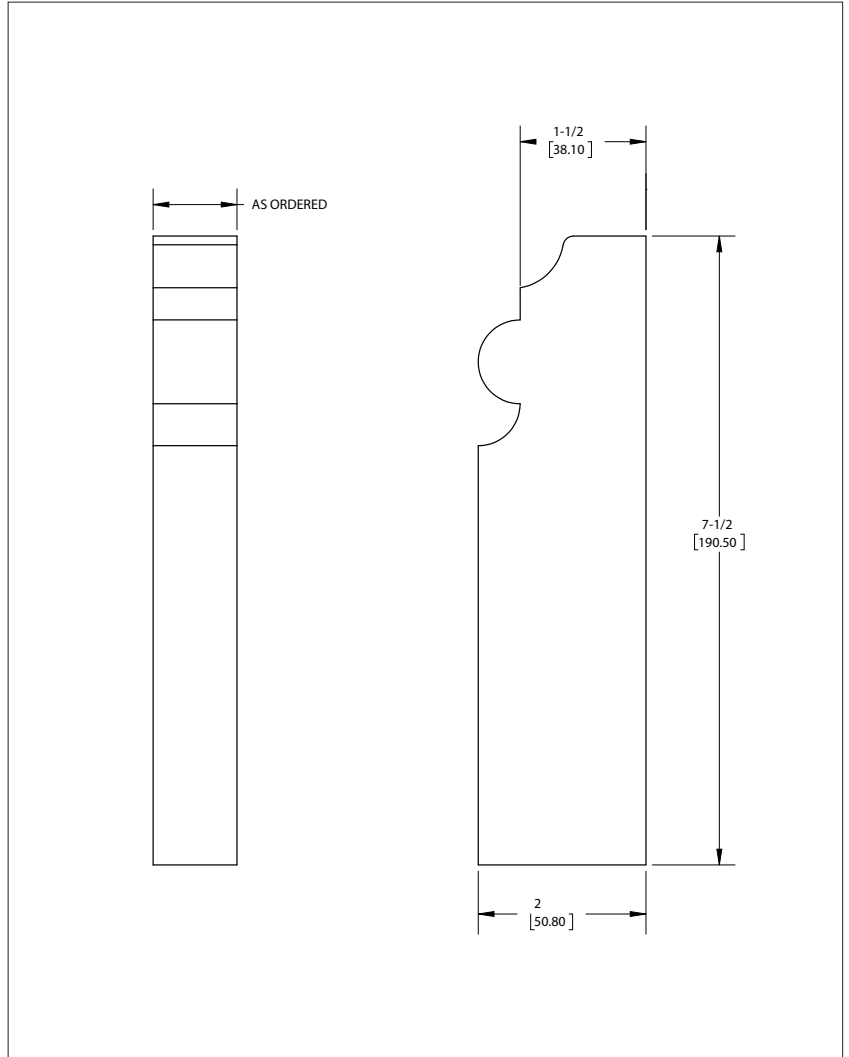
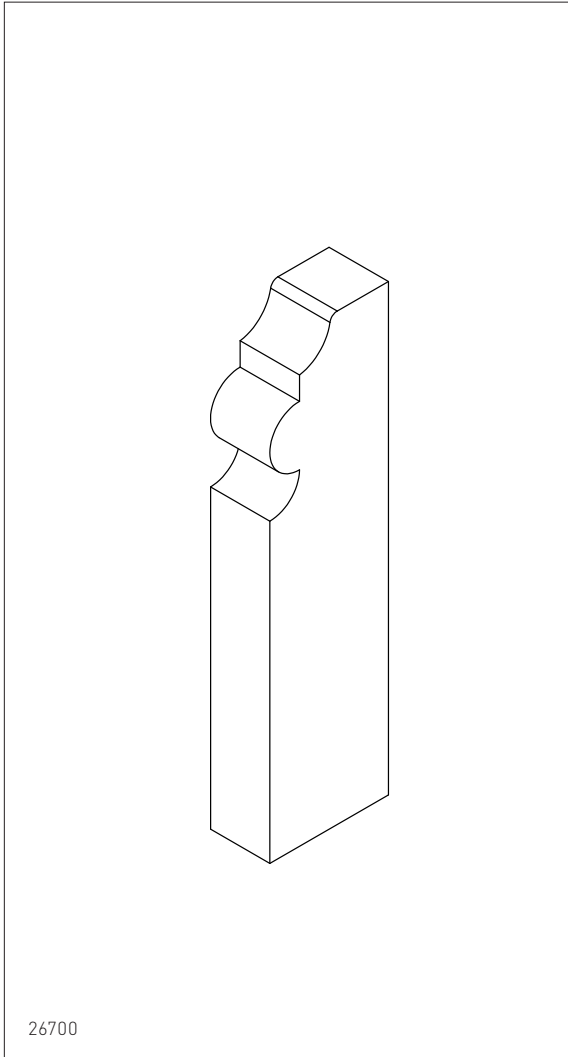
HNOX Honey Onyx

The measurements shown are for reference only. Products and specifications shown are subject to change without notice.

Rev A

# SHERLE WAGNER INTERNATIONAL

## MOULDING STONE BASEBOARD TYPE A 26700



### PRODUCT FEATURES

- o Carved from solid block of stone
- o Available in various marble and onyx
- o Note: All dimensions vary from piece to piece. Consult your SWI representative for details

### AVAILABLE MARBLE

RSAU Rose Aurora  
ARAB Arabescato  
CARR Cararra  
RUVI Ruvina

CAGR Carnico Grey  
NEMA Negro Marquina  
MARI Marianella  
PTLA Port Laurent

PORT Portoro  
RSDM Rosa Du Monte  
CALA Calacatta  
IMBR Imperador Brown

VERD Verdi Viana  
THAS Ultra White Thasos  
CREMA Crema Marfil

### AVAILABLE ONYX

BROX Brown Onyx  
PKOX Pink Onyx

GROX Green Onyx  
BKOX Black Onyx

WHOX White Onyx

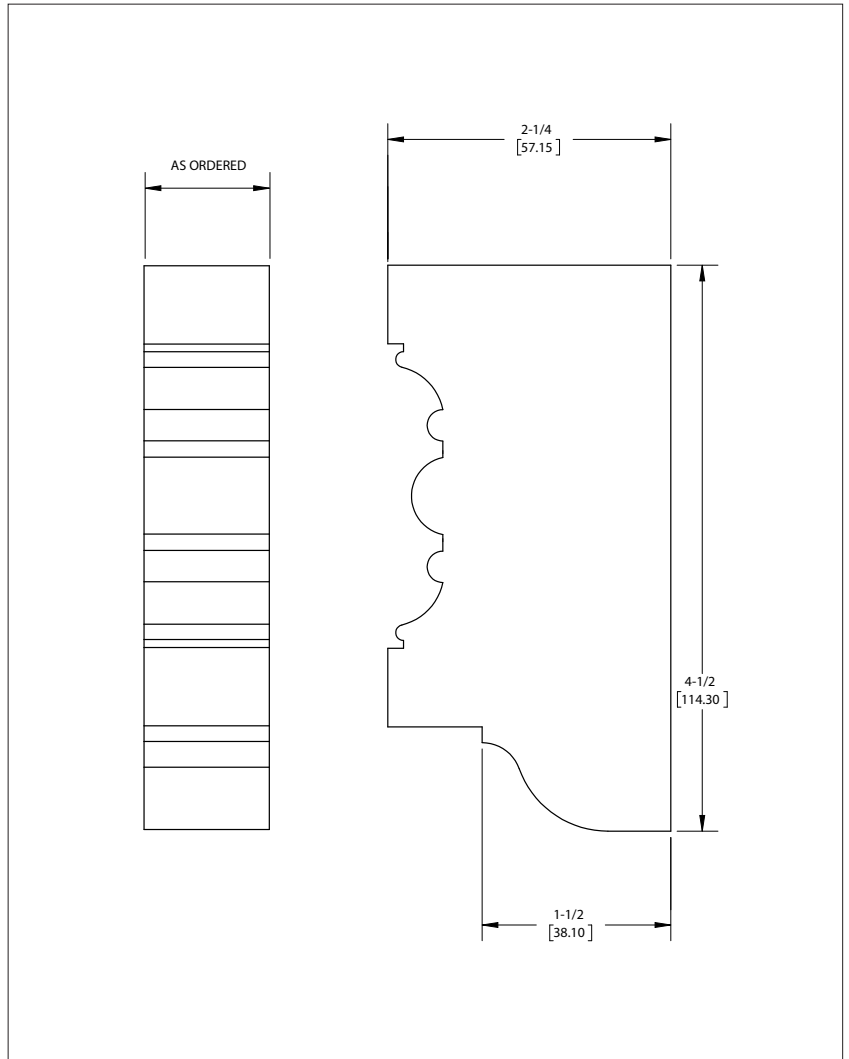
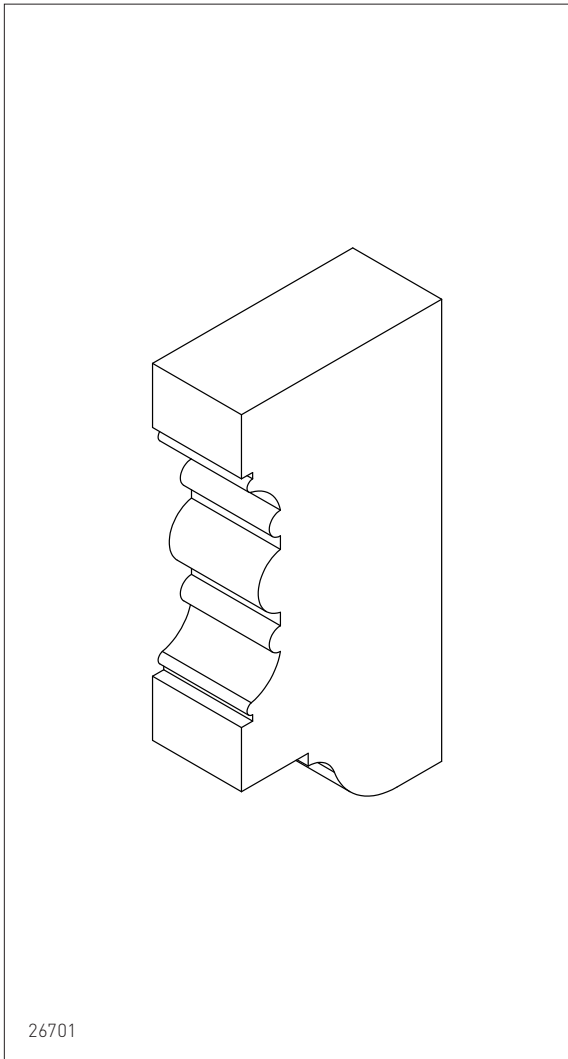
HNOX Honey Onyx

The measurements shown are for reference only. Products and specifications shown are subject to change without notice.

Rev A

# SHERLE WAGNER INTERNATIONAL

## MOULDING STONE CASING TYPE A 26701



### PRODUCT FEATURES

- o Carved from solid block of stone
- o Available in various marble and onyx
- o Note: All dimensions vary from piece to piece. Consult your SWI representative for details

### AVAILABLE MARBLE

**RSAU** Rose Aurora  
**ARAB** Arabescato  
**CARR** Cararra  
**RUVI** Ruvina

**CAGR** Carnico Grey  
**NEMA** Negro Marquina  
**MARI** Marianella  
**PTLA** Port Laurent

**PORT** Portoro  
**RSDM** Rosa Du Monte  
**CALA** Calacatta  
**IMBR** Imperador Brown

**VERD** Verdi Viana  
**THAS** Ultra White Thasos  
**CREMA** Crema Marfil

### AVAILABLE ONYX

**BROX** Brown Onyx  
**PKOX** Pink Onyx

**GROX** Green Onyx  
**BKOX** Black Onyx

**WHOX** White Onyx

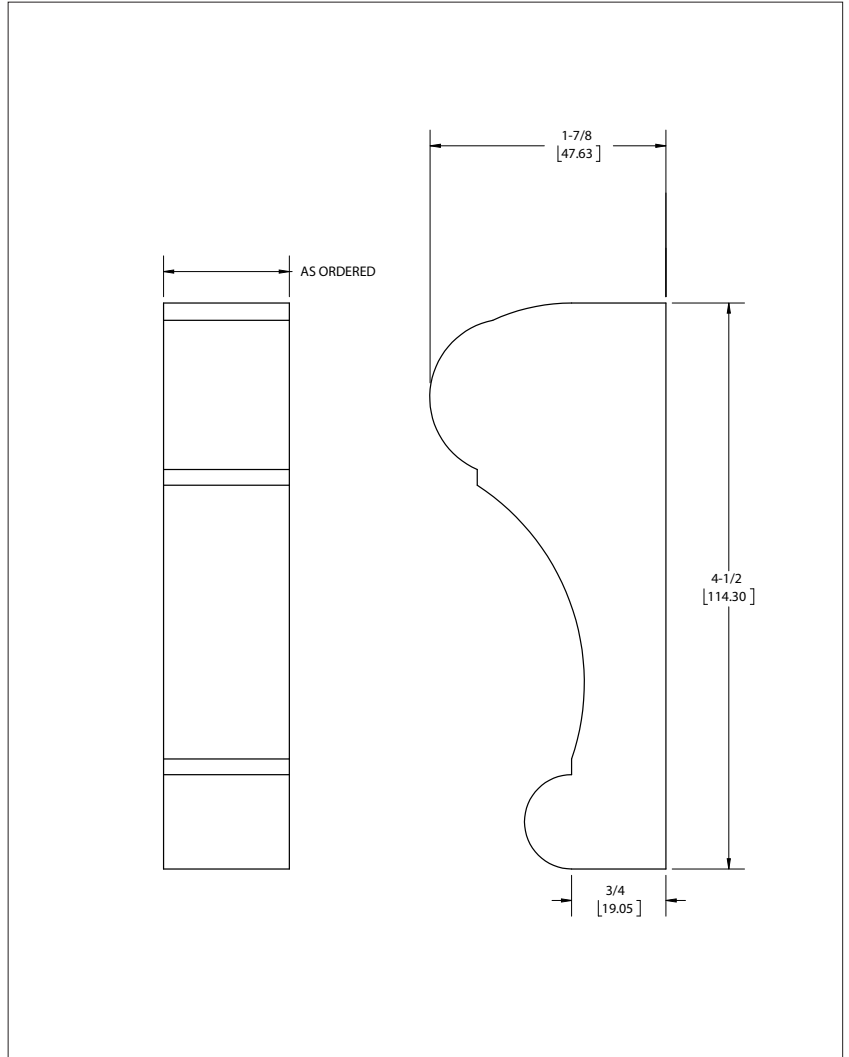
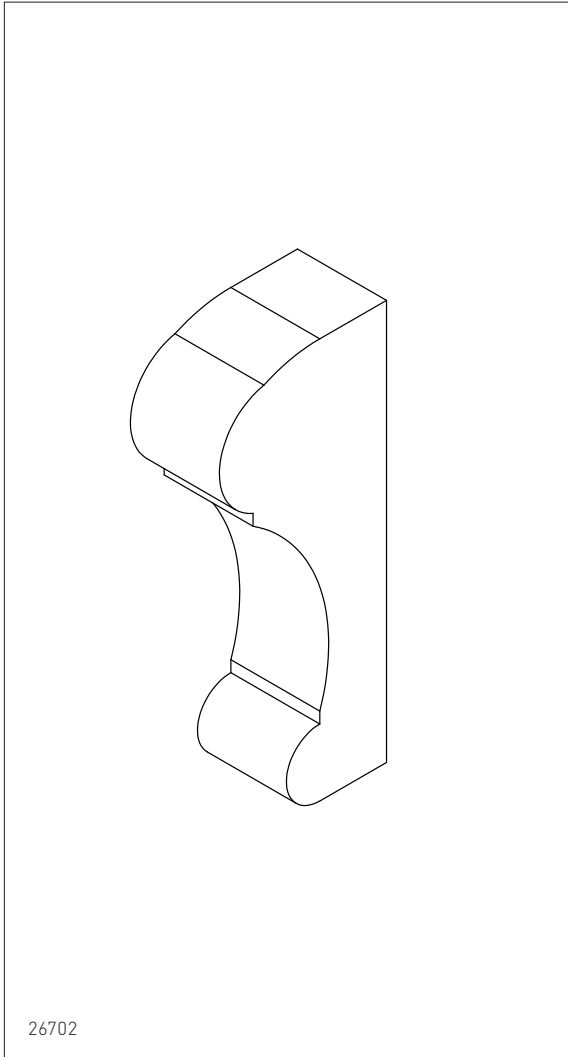
**HNOX** Honey Onyx

The measurements shown are for reference only. Products and specifications shown are subject to change without notice.

Rev A

# SHERLE WAGNER INTERNATIONAL

## MOULDING STONE CHAIR RAIL TYPE A 26702



### PRODUCT FEATURES

- o Carved from solid block of stone
- o Available in various marble and onyx
- o Note: All dimensions vary from piece to piece. Consult your SWI representative for details

### AVAILABLE MARBLE

RSAU Rose Aurora  
ARAB Arabescato  
CARR Cararra  
RUVI Ruvina

CAGR Carnico Grey  
NEMA Negro Marquina  
MARI Marianella  
PTLA Port Laurent

PORT Portoro  
RSDM Rosa Du Monte  
CALA Calacatta  
IMBR Imperador Brown

VERD Verdi Viana  
THAS Ultra White Thasos  
CREMA Crema Marfil

### AVAILABLE ONYX

BROX Brown Onyx  
PKOX Pink Onyx

GROX Green Onyx  
BKOX Black Onyx

WHOX White Onyx

HNOX Honey Onyx

The measurements shown are for reference only. Products and specifications shown are subject to change without notice.

Rev A