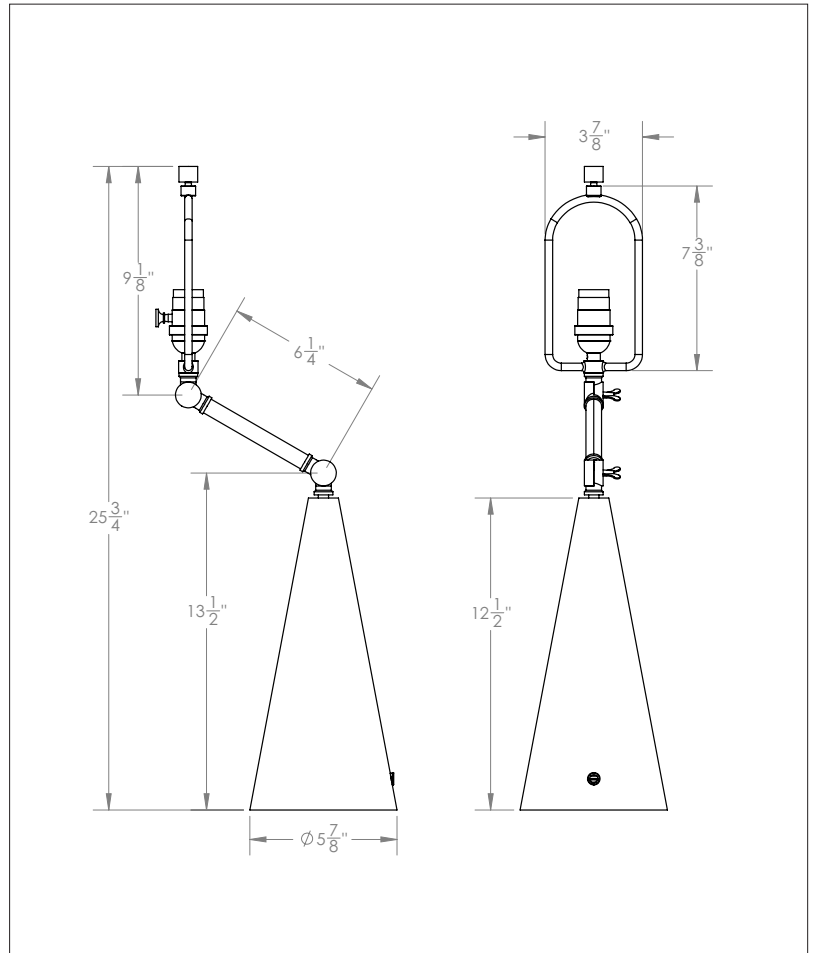


SHERLE WAGNER INTERNATIONAL

CONE CERAMIC TABLE LAMP WITH ADJUSTABLE ARM 7310-S-XXXX-XX



PRODUCT FEATURES

- o Type: Incandescent Table Lamp
- o Construction: Glazed Ceramic with Plated Brass Trim
- o Socket: E26 (Medium Base)
- o Bulb Wattage: 60 watts (Not Included)
- o Shade: Not Included
- o Cord: 8 feet (Black Braided Nylon)
- o Certification: Dry Location
- o Trim available in all Sherle Wagner finishes
- o Lamp Cluster available in Brass and Nickel
- o Segments available in any color combination, contact SWI representative for details

AVAILABLE METAL FINISHES

PN Polished Nickel	OB Oil Rubbed Brass	ES English Silver	AG Antique Gold
CP Polished Chrome	PB Polished Brass	BS Butler Silver	SP Satin Platinum
BN Brushed Nickel	GP Gold Plate	AP Antique Pewter	HP High Polished Platinum
BC Brushed Chrome	AL Almond Gold	PE Black Pearl	BP Burnished Platinum
SB Satin Brass	RG Rose Gold	BG Burnished Gold	

AVAILABLE CERAMIC GLAZE INSERTS

WHT White	15PL Burnished Platinum	BL05 Aegean	OR02 Walnut
SWHT Satin White	17HP Highly Polished Platinum	GR01 Chartreuse	RD01 Poppy
SND Sand	BL01 Bermuda	GR02 Leaf Green	RD02 Melon
BLK Black	BL02 Silver Blue	GR03 Blue Spruce	VT01 Aubergine
SBLK Satin Black	BL03 Slate Blue	GR04 Olive	YL01 Sunflower
14GP Burnished Gold	BL04 Royal Blue	GR05 Sage Grey	

The measurements shown are for reference only. Products and specifications shown are subject to change without notice.

Rev A