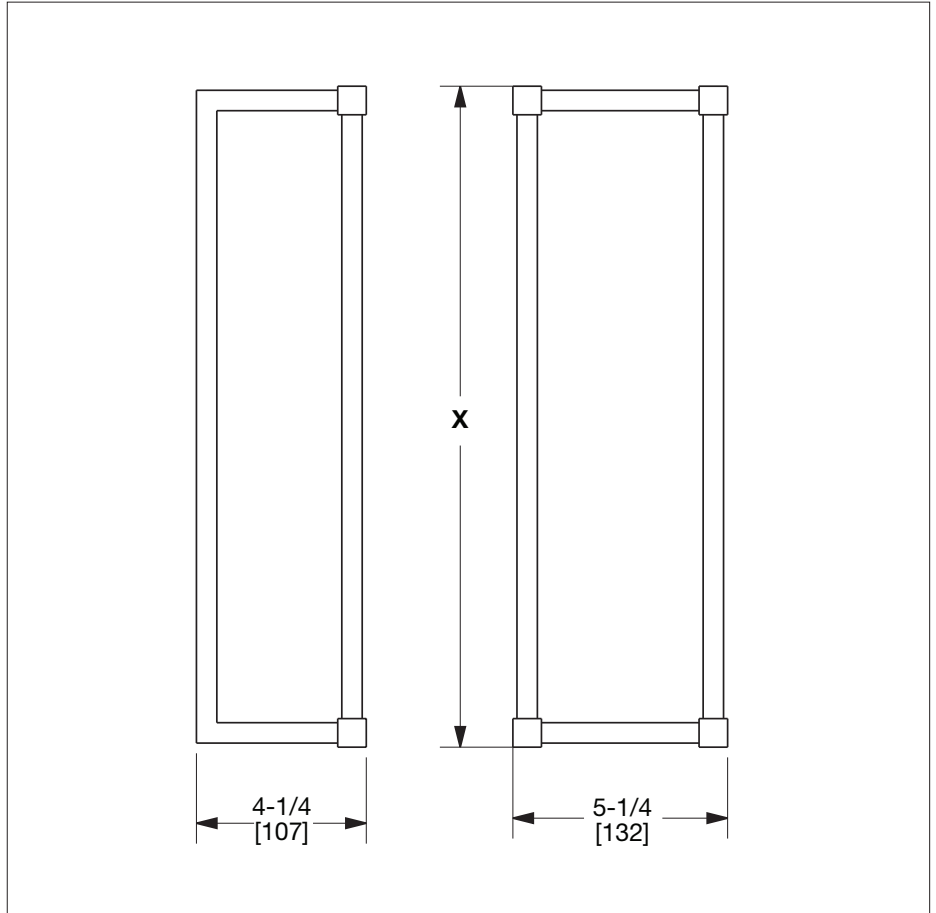
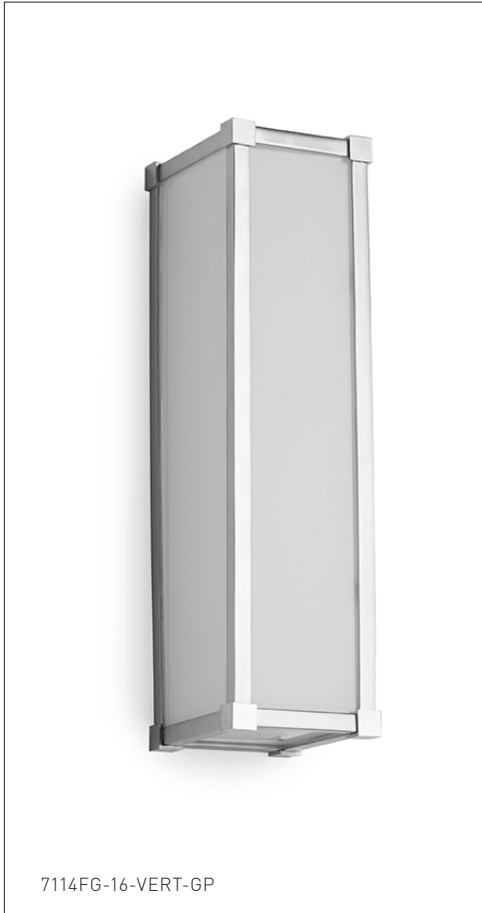


# SHERLE WAGNER INTERNATIONAL

**SQUARE KNUCKLE FROSTED GLASS 16" PANEL LIGHT** 7114FG-16-VERT-XX  
**SQUARE KNUCKLE FROSTED GLASS 27" PANEL LIGHT** 7114FG-27-VERT-XX  
**SQUARE KNUCKLE FROSTED GLASS 35" PANEL LIGHT** 7114FG-35-VERT-XX



## PRODUCT FEATURES

- o Available in all Sherle Wagner International finishes
- o Solid brass/bronze construction
- o Includes mounting hardware
- o Suitable for bathroom installations
- o Compatible with ANSI/UL standards
- o Bulb type: (E25) Max. 60W
- o Light bulb not included
- o Available in Beaded (CB) or Frosted Glass (FG) panels
- o Available horizontal or vertical
- o Available in various sizes

X	DIMENSION	BULB CAPACITY
16	16-1/4 [411]	2 X 60W
27	27-1/4 [691]	4 X 60W
35	35-1/4 [895]	6 X 60W

## AVAILABLE METAL FINISHES

PN Polished Nickel  
 CP Polished Chrome  
 BN Brushed Nickel  
 BC Brushed Chrome  
 SB Satin Brass  
 OB Oil Rubbed Brass

PB Polished Brass  
 FP Flemish Patina  
 EP English Patina  
 VA Verdi Antique  
 GP Gold Plate  
 AL Almond Gold

ES English Silver  
 BS Butler Silver  
 RG Rose Gold  
 AP Antique Pewter  
 PE Black Pearl  
 BG Burnished Gold

AG Antique Gold  
 SP Satin Platinum  
 HP High Polished Platinum  
 BP Burnished Platinum