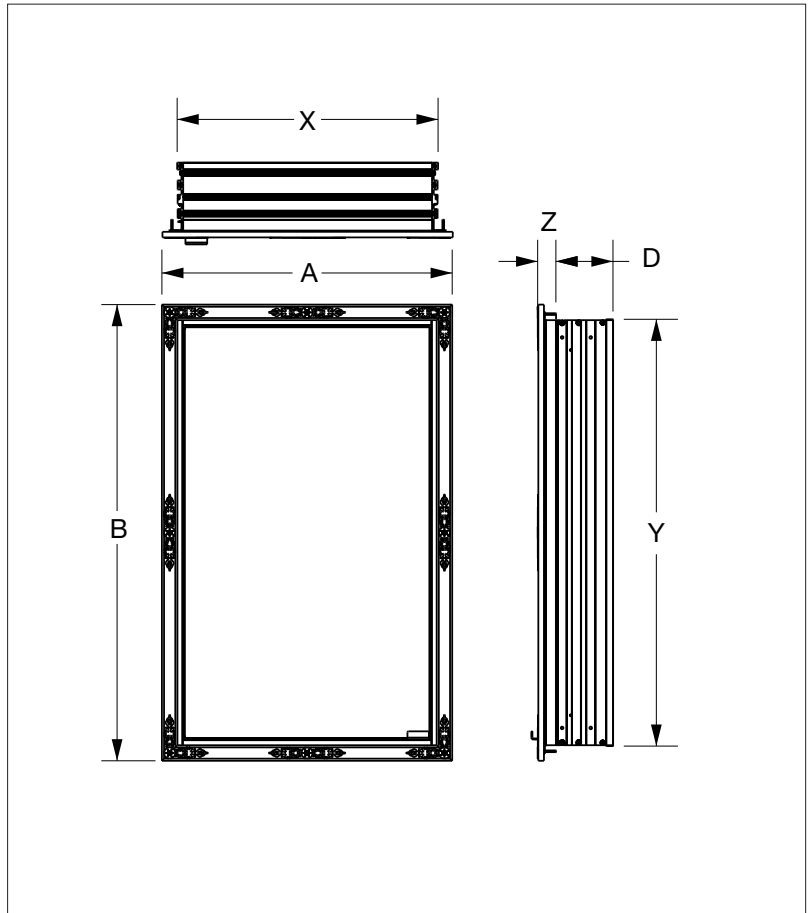


# SHERLE WAGNER INTERNATIONAL

## FILIGREE MEDICINE CABINET 4261



### PRODUCT FEATURES

- o Available in all Sherle Wagner International finishes
- o Solid brass/bronze construction
- o Includes mounting hardware
- o Specify left or right hand door opening for Singles
- o In wall cabinet with mirrored doors

SIZES	CODE	A	B	WALL OPENING	
				X	Y
SMALL SINGLE	4261C21-ZZ-XX	20-7/8 [530]	32-7/8 [835]	19 [533]	31 [787]
MEDIUM SINGLE	4261C25-ZZ-XX	24-7/8 [632]	32-7/9 [835]	23 [584]	31 [787]
2 DOORS	4261C-DS-XX	46-7/8 [1216]	32-7/10 [835]	45 [1143]	31 [787]
3 DOORS	4261C-TW-XX	46-7/8 [1216]	32-7/11 [835]	45 [1143]	31 [787]

### AVAILABLE METAL FINISHES

PN Polished Nickel  
 CP Polished Chrome  
 BN Brushed Nickel  
 BC Brushed Chrome  
 SB Satin Brass

OB Oil Rubbed Brass  
 PB Polished Brass  
 GP Gold Plate  
 AL Almond Gold  
 RG Rose Gold

ES English Silver  
 BS Butler Silver  
 AP Antique Pewter  
 PE Black Pearl  
 BG Burnished Gold

AG Antique Gold  
 SP Satin Platinum  
 HP High Polished Platinum  
 BP Burnished Platinum