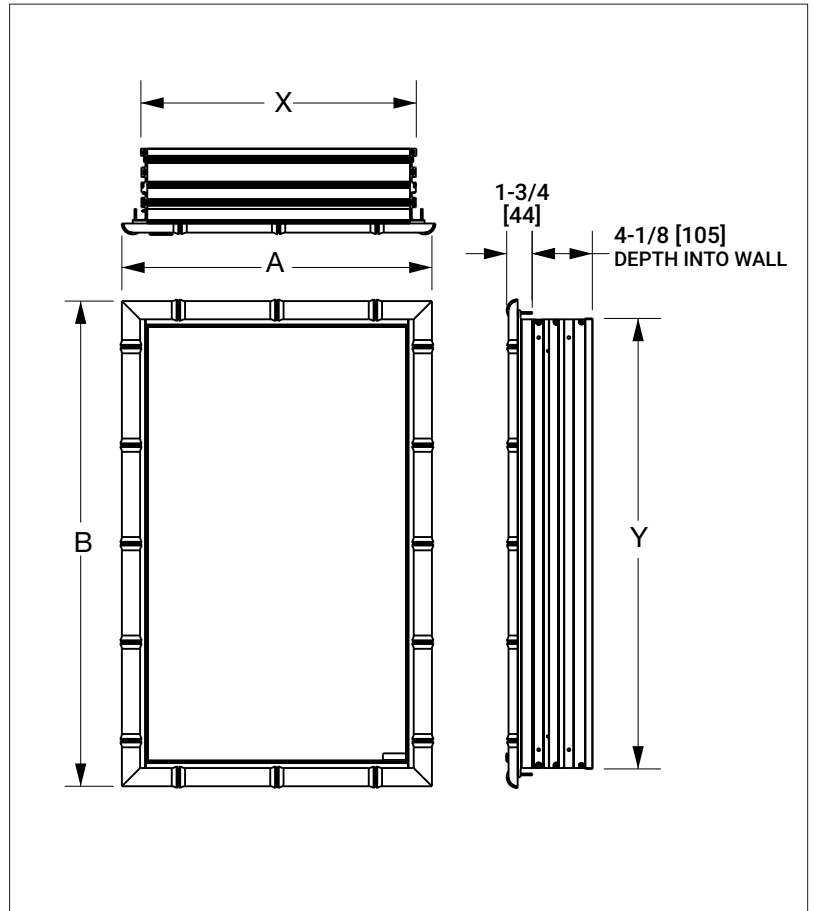


SHERLE WAGNER INTERNATIONAL

BAMBOO MEDICINE CABINET 4251



PRODUCT FEATURES

- o Available in all Sherle Wagner International finishes
- o Solid brass/bronze construction
- o Includes mounting hardware
- o Specify left or right hand door opening for Singles
- o In wall cabinet with mirrored doors

SIZES	CODE	A	B	WALL OPENING	
				X	Y
SMALL SINGLE	4251C21-ZZ-XX	20-7/8 [530]	32-7/8 [835]	19 [533]	31 [787]
MEDIUM SINGLE	4251C25-ZZ-XX	24-7/8 [632]	32-7/9 [835]	23 [584]	31 [787]
2 DOORS	4251C-DS-XX	46-7/8 [1216]	32-7/10 [835]	45 [1143]	31 [787]
3 DOORS	4251C-TW-XX	46-7/8 [1216]	32-7/11 [835]	45 [1143]	31 [787]

AVAILABLE METAL FINISHES

PN Polished Nickel
CP Polished Chrome
BN Brushed Nickel
BC Brushed Chrome
SB Satin Brass
OB Oil Rubbed Brass
PB Polished Brass
GP Gold Plate
AL Almond Gold
RG Rose Gold

ES English Silver
BS Butler Silver
AP Antique Pewter
PE Black Pearl
BG Burnished Gold

AG Antique Gold
SP Satin Platinum
HP High Polished Platinum
BP Burnished Platinum