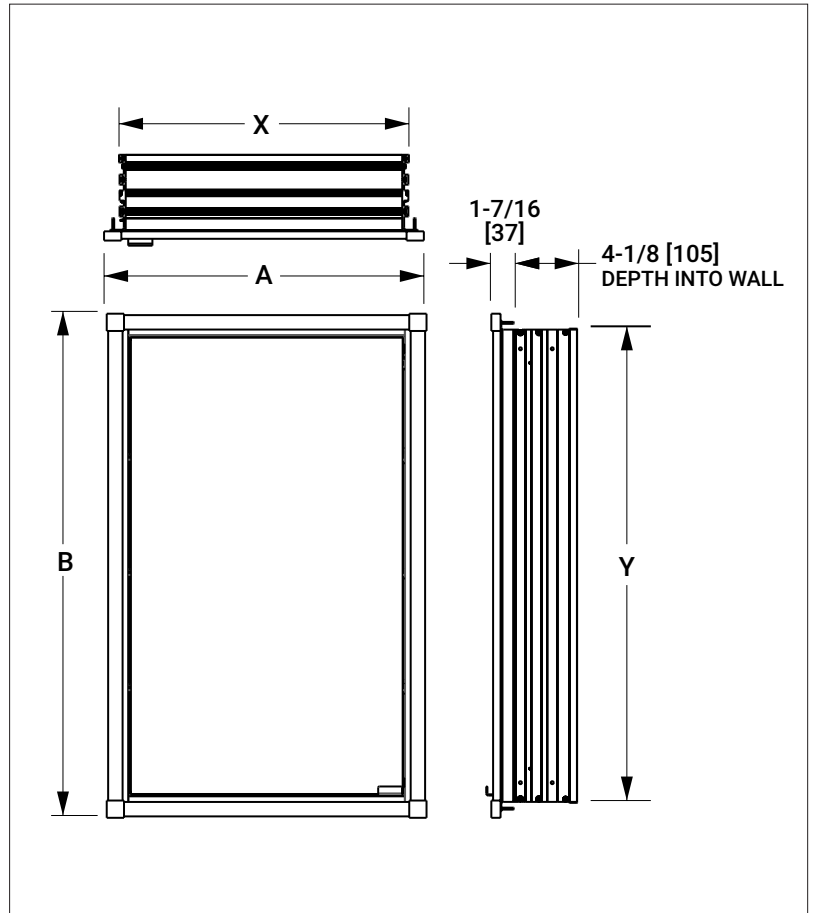


# SHERLE WAGNER INTERNATIONAL

## SQUARE KNUCKLE MEDICINE CABINET 4250



### PRODUCT FEATURES

- o Available in all Sherle Wagner International finishes
- o Solid brass/bronze construction
- o Includes mounting hardware
- o Specify left or right hand door opening for Singles
- o In wall cabinet with mirrored doors

SIZES	CODE	A	B	WALL OPENING	
				X	Y
SMALL SINGLE	4250C21-ZZ-XX	20-7/8 [530]	32-7/8 [835]	19 [533]	31 [787]
MEDIUM SINGLE	4250C25-ZZ-XX	24-7/8 [632]	32-7/9 [835]	23 [584]	31 [787]
2 DOORS	4250C-DS-XX	46-7/8 [1216]	32-7/10 [835]	45 [1143]	31 [787]
3 DOORS	4250C-TW-XX	46-7/8 [1216]	32-7/11 [835]	45 [1143]	31 [787]

### AVAILABLE METAL FINISHES

**PN** Polished Nickel  
**CP** Polished Chrome  
**BN** Brushed Nickel  
**BC** Brushed Chrome  
**SB** Satin Brass  
**OB** Oil Rubbed Brass  
**PB** Polished Brass  
**GP** Gold Plate  
**AL** Almond Gold  
**RG** Rose Gold

**ES** English Silver  
**BS** Butler Silver  
**AP** Antique Pewter  
**PE** Black Pearl  
**BG** Burnished Gold

**AG** Antique Gold  
**SP** Satin Platinum  
**HP** High Polished Platinum  
**BP** Burnished Platinum