

# SHERLE WAGNER INTERNATIONAL

## MOLECULE DOUBLE HOOK 3411-XX



### PRODUCT FEATURES

- o Available in all Sherle Wagner International finishes
- o Solid brass/bronze construction
- o Includes mounting hardware

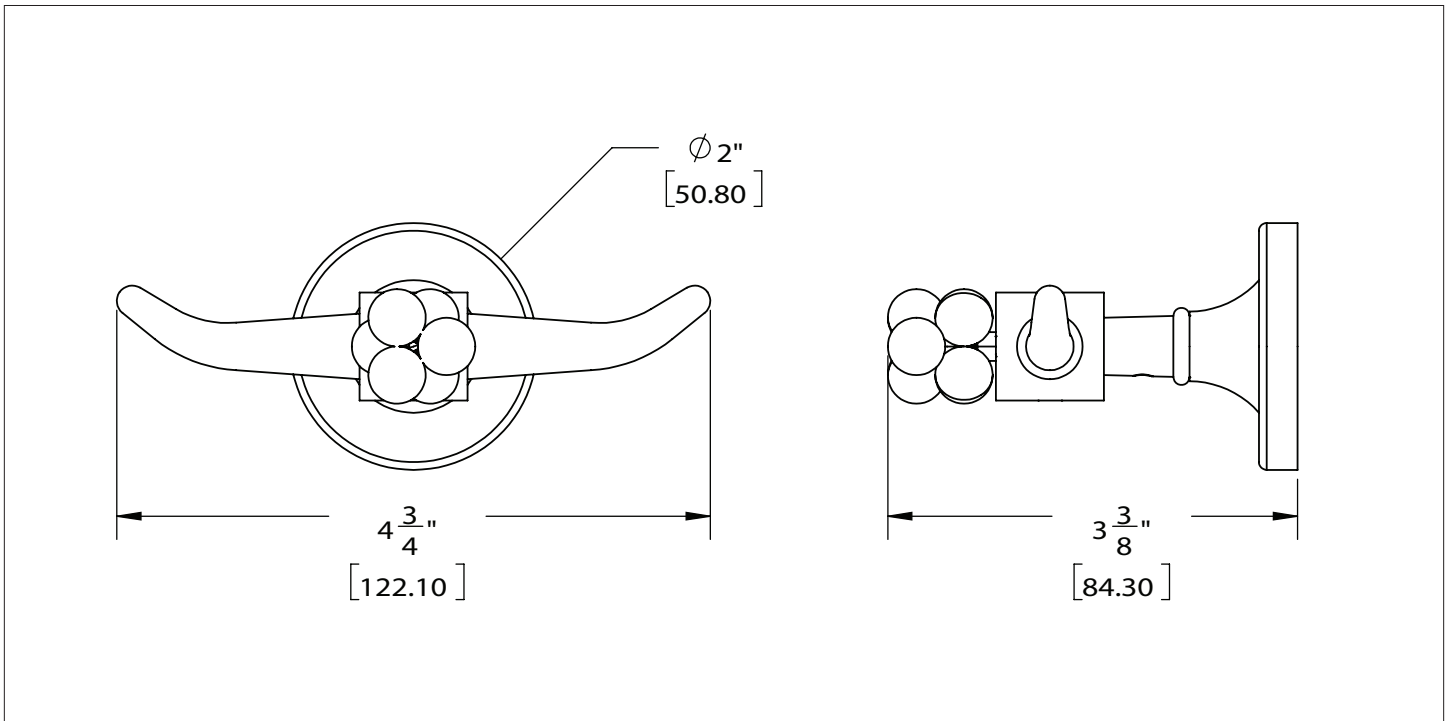
### AVAILABLE METAL FINISHES

PN Polished Nickel  
CP Polished Chrome  
BN Brushed Nickel  
BC Brushed Chrome  
SB Satin Brass

OB Oil Rubbed Brass  
PB Polished Brass  
GP Gold Plate  
AL Almond Gold  
RG Rose Gold

ES English Silver  
BS Butler Silver  
AP Antique Pewter  
PE Black Pearl  
BG Burnished Gold

AG Antique Gold  
SP Satin Platinum  
HP High Polished Platinum  
BP Burnished Platinum



The measurements shown are for reference only. Products and specifications shown are subject to change without notice.

Rev A