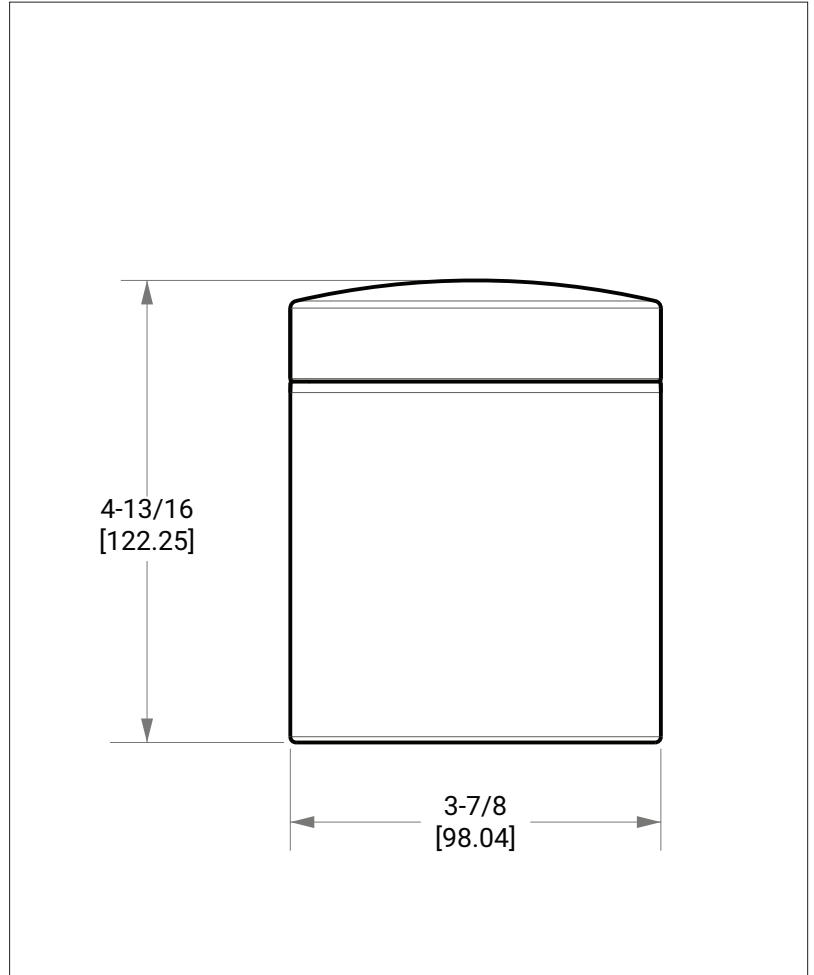


SHERLE WAGNER INTERNATIONAL

MODE CERAMIC COVERED JAR 3380-CJAR-XXXX



PRODUCT FEATURES

- o Construction: Glazed Ceramic
- o Vitreous China
- o Tabletop use
- o Available in any color combination, contact SWI representative for details

AVAILABLE CERAMIC GLAZE

WHT White	15PL Burnished Platinum	BL05 Aegean	OR02 Walnut
SWHT Satin White	17HP Highly Polished Platinum	GR01 Chartreuse	RD01 Poppy
SND Sand	BL01 Bermuda	GR02 Leaf Geen	RD02 Melot
BLK Black	BL02 Silver Blue	GR03 Blue Spruce	VT01 Aubergine
SBLK Satin Black	BL03 Slate Blue	GR04 Olive	YL01 Sunflower
14GP Burnished Gold	BL04 Royal Blue	GR05 Sage Grey	