

# SHERLE WAGNER INTERNATIONAL

## ORGANIC CERAMIC VESSEL SINK 240V-VSL-XXXX



### PRODUCT FEATURES

- o Vitreous China
- o 1-3/4" trap diameter
- o Counter basin
- o 4" water depth
- o Contact an SWI representative for custom glaze options

### AVAILABLE CERAMIC GLAZE COLOR

WHT White

SWHT Satin White

15PL Burnished Platinum

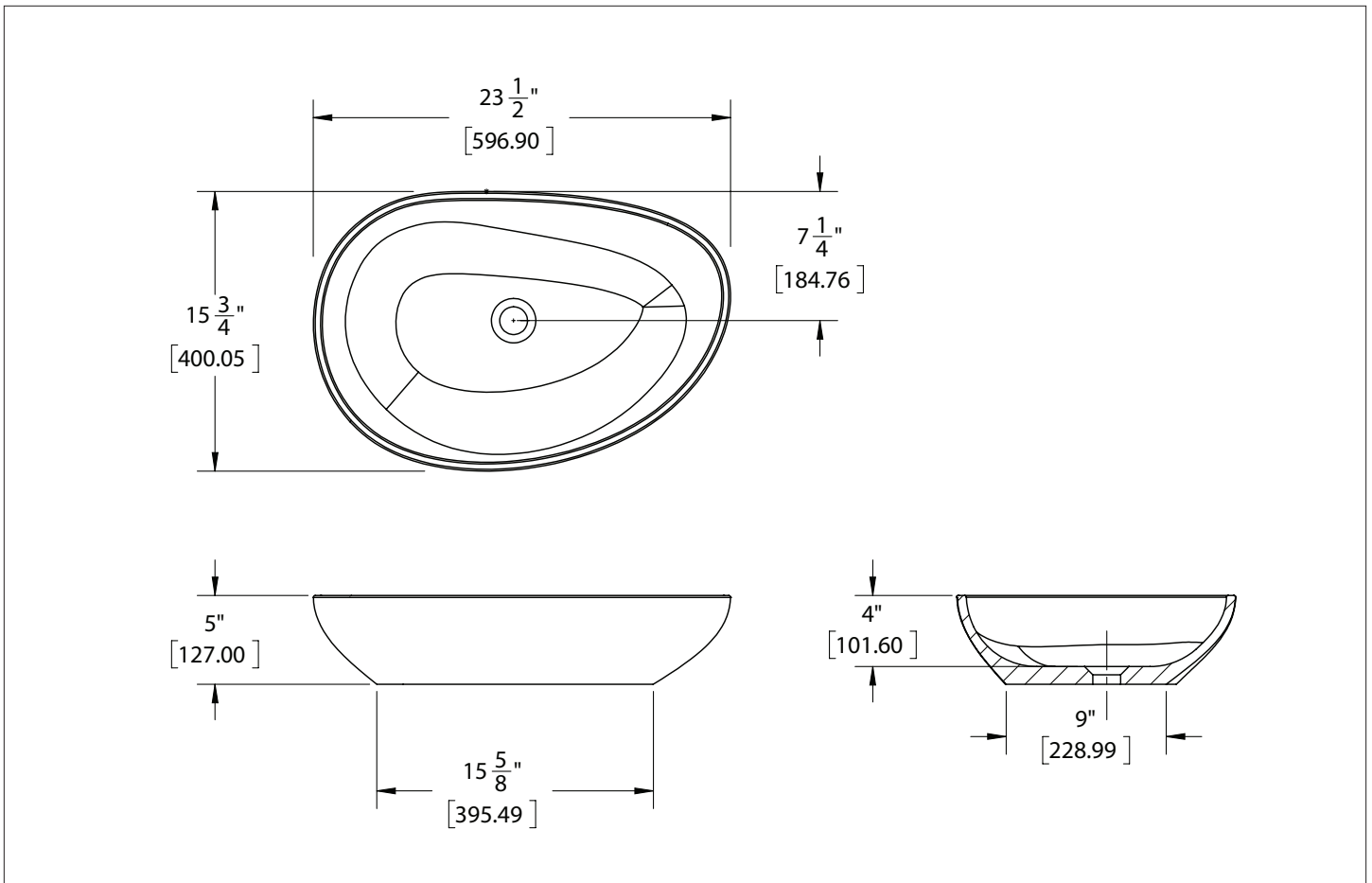
GR06 Avocado

CUST Custom Glaze

SBLK Satin Black

14GP Burnished Gold

BL06 Cactus



The measurements shown are for reference only. Products and specifications shown are subject to change without notice.

Rev A