

SHERLE WAGNER INTERNATIONAL

DORIAN PAPER HOLDER WITH STONE INSERT 2170PH-XXXX-XX



PRODUCT FEATURES

- o Available in all Sherle Wagner International finishes
- o Solid brass/bronze construction
- o Optional vertical installation
- o Includes mounting hardware
- o Refer to stone chart for standard stone insert, contact sales associate for custom stone options

2170PH-MALA-PN

AVAILABLE METAL FINISHES

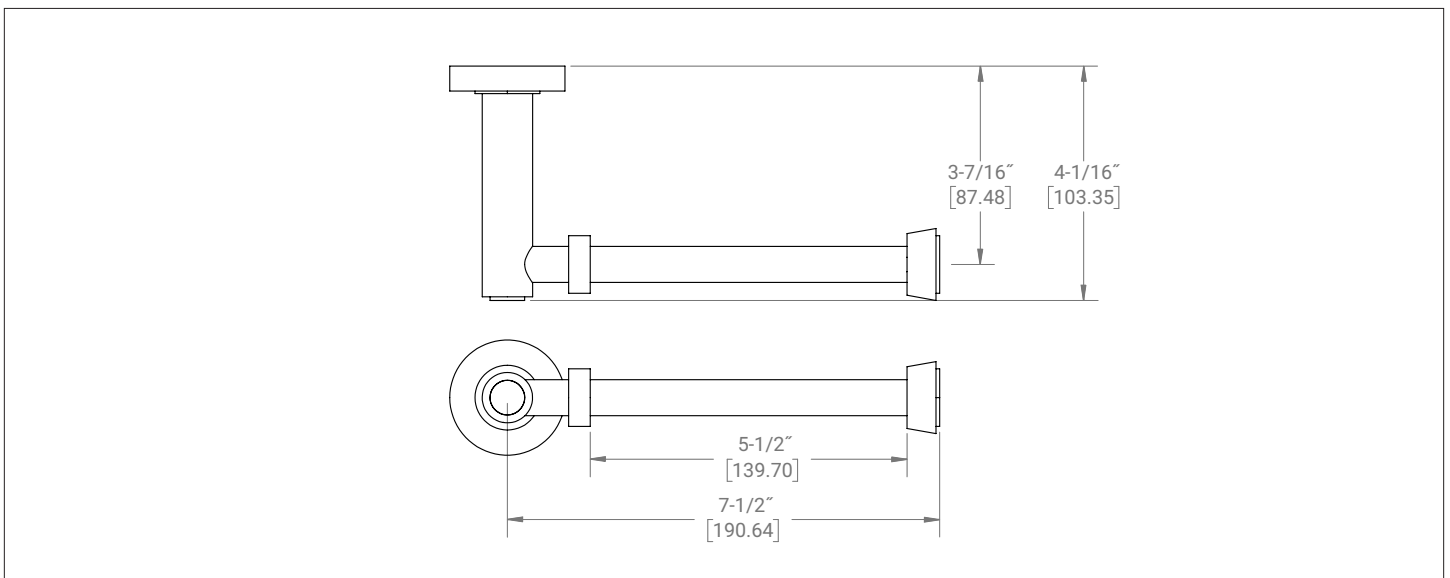
PN Polished Nickel	OB Oil Rubbed Brass	ES English Silver	AG Antique Gold
CP Polished Chrome	PB Polished Brass	BS Butler Silver	SP Satin Platinum
BN Brushed Nickel	GP Gold Plate	AP Antique Pewter	HP High Polished Platinum
BC Brushed Chrome	AL Almond Gold	PE Black Pearl	BP Burnished Platinum
SB Satin Brass	RG Rose Gold	BG Burnished Gold	

AVAILABLE ONYX INSERTS

BROX Brown Onyx	GROX Green Onyx	WHOX White Onyx	HNOX Honey Onyx
PKOX Pink Onyx	BKOX Black Onyx		

AVAILABLE SEMIPRECIOUS INSERTS

RKCR Rock Crystal	RSQU Rose Quartz	AMET Amethyst	BKOB Black Obsidian
BRTI Brown Tiger Eye	BLTI Blue Tiger Eye	MALA Malachite	LAPI Lapis Lazuli
JASP Jasper	RHOD Rhodochrosite		



The measurements shown are for reference only. Products and specifications shown are subject to change without notice.

Rev A