

SHERLE WAGNER INTERNATIONAL

DORIAN STONE INSERT LEVER BAR SET 2170BAR808-X-XXXX-XX



2170BAR808-X-MALA-HP

PRODUCT FEATURES

- o Available in all Sherle Wagner International finishes
- o Solid brass/bronze construction
- o 1.0 gpm (3.8 L/min) flow rate
- o Includes (2) 1/2" washerless 1/4 turn ceramic cartridges
- o Includes (2) flexible hoses 1/2" FIP x 1/2" FIP x 12" length
- o Includes gaskets and tee fitting
- o Includes Lift & turn with overflow waste assembly. Push pop-up or strainer waste assembly optional
- o Recommended 12" spread. Can be installed 8"-16"
- o Refer to stone chart for standard stone insert, contact sales associate for custom stone options
- o Spout (X) options: Available in Swivel (S) or Fixed (F), contact sales associate for details

AVAILABLE METAL FINISHES

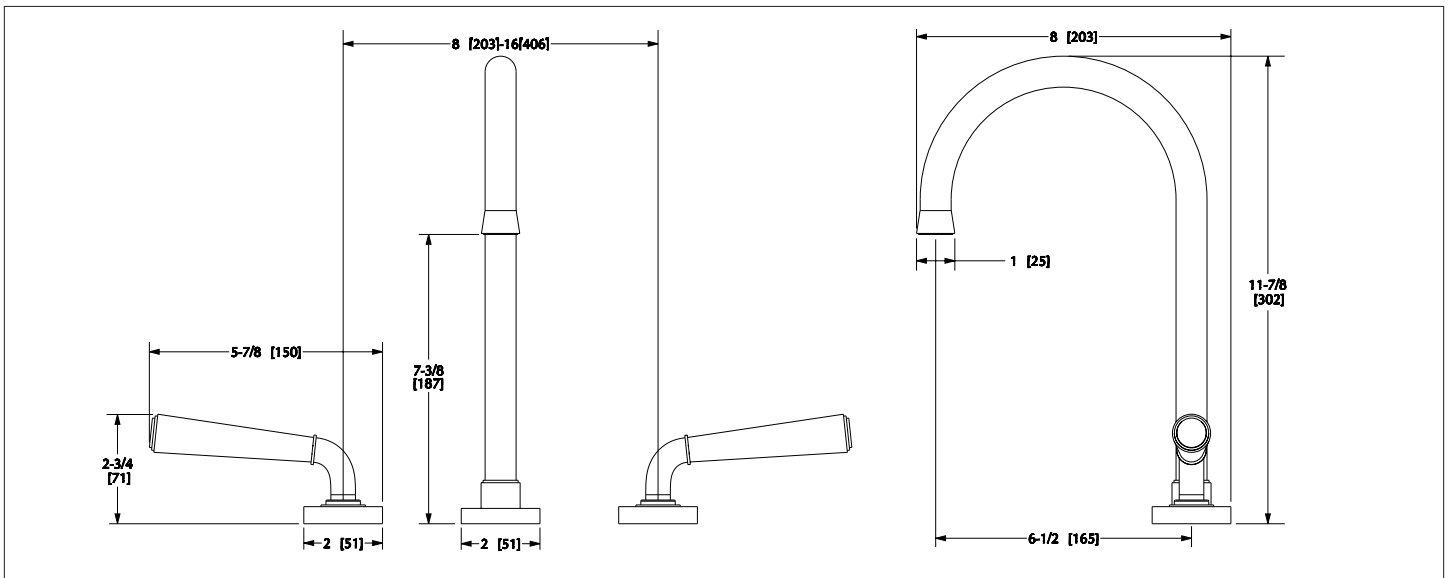
PN Polished Nickel	PB Polished Brass	ES English Silver	AG Antique Gold
CP Polished Chrome	FP Flemish Patina	BS Butler Silver	SP Satin Platinum
BN Brushed Nickel	EP English Patina	RG Rose Gold	HP High Polished Platinum
BC Brushed Chrome	VA Verdi Antique	AP Antique Pewter	BP Burnished Platinum
SB Satin Brass	GP Gold Plate	PE Black Pearl	
OB Oil Rubbed Brass	AL Almond Gold	BG Burnished Gold	

AVAILABLE ONYX INSERTS

BROX Brown Onyx	CROX Cream Onyx	WHOX White Onyx	HNOX Honey Onyx
PKOX Pink Onyx	BKOX Black Onyx	GROX Green Onyx	

AVAILABLE SEMIPRECIOUS INSERTS

RKCR Rock Crystal	RSQU Rose Quartz	AMET Amethyst	BKOB Black Obsidian
BRTI Brown Tiger Eye	BLTI Blue Tiger Eye	MALA Malachite	
JASP Jasper	RHOD Rhodochrosite	LAPI Lapis Lazuli	



The measurements shown are for reference only. Products and specifications shown are subject to change without notice.

Rev A