

SHERLE WAGNER INTERNATIONAL

KEYSTONE CERAMIC INSERT KNOB BAR SET 2165BAR808-X-XXXX-XX



PRODUCT FEATURES

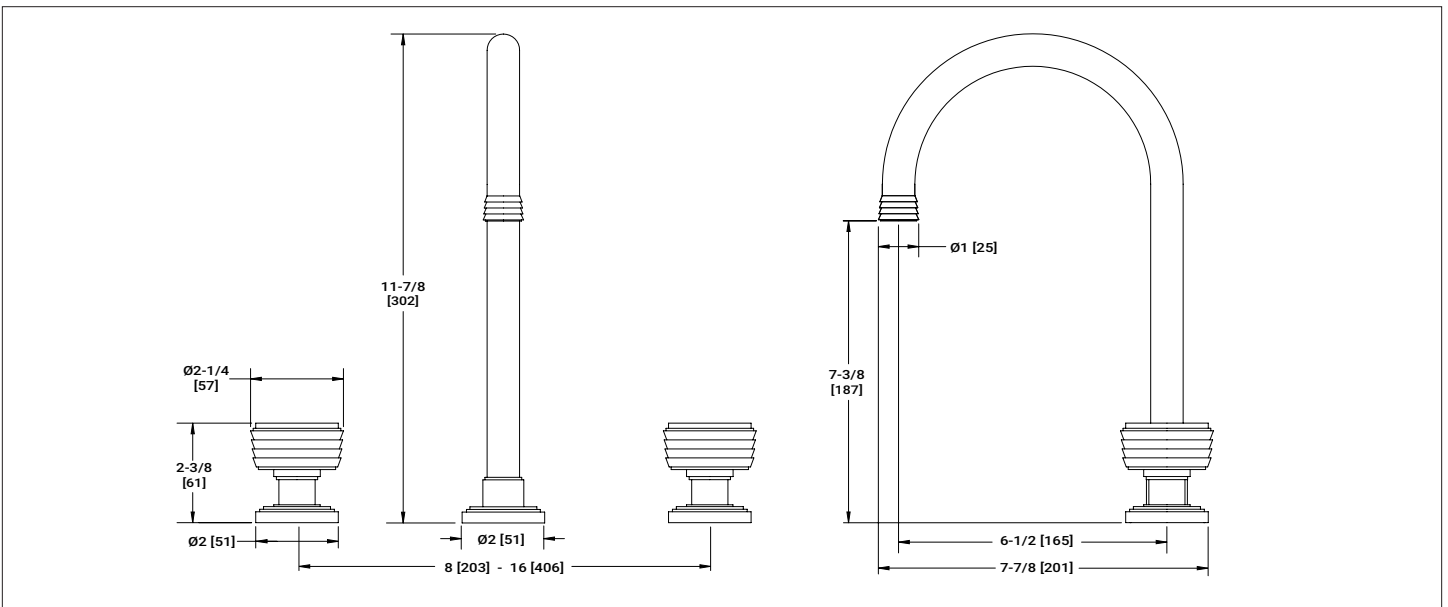
- o Available in all Sherle Wagner International finishes
- o Solid brass/bronze construction
- o 1.0 gpm (3.8 L/min) flow rate
- o Includes (2) 1/2" washerless 1/4 turn ceramic cartridges
- o Includes (2) flexible hoses 1/2" FIP x 1/2" FIP x 12" length
- o Includes gaskets and tee fitting
- o Includes Lift & turn with overflow waste assembly. Push pop-up or strainer waste assembly optional
- o Recommended 12" spread. Can be installed 8"-16"
- o Available with various ceramic glaze inserts
- o Spout (X) options: Available in Swivel (S) or Fixed (F), contact sales associate for details

AVAILABLE METAL FINISHES

PN Polished Nickel	PB Polished Brass	ES English Silver	AG Antique Gold
CP Polished Chrome	FP Flemish Patina	BS Butler Silver	SP Satin Platinum
BN Brushed Nickel	EP English Patina	RG Rose Gold	HP High Polished Platinum
BC Brushed Chrome	VA Verdi Antique	AP Antique Pewter	BP Burnished Platinum
SB Satin Brass	GP Gold Plate	PE Black Pearl	
OB Oil Rubbed Brass	AL Almond Gold	BG Burnished Gold	

AVAILABLE CERAMIC GLAZE INSERTS

WHT White	15PL Burnished Platinum	BL05 Aegean	OR02 Walnut
SWHT Satin White	17HP Highly Polished Platinum	GR01 Chartreuse	RD01 Poppy
SND Sand	BL01 Bermuda	GR02 Leaf Green	RD02 Melot
BLK Black	BL02 Silver Blue	GR03 Blue Spruce	VT01 Aubergine
SBLK Satin Black	BL03 Slate Blue	GR04 Olive	YL01 Sunflower
14GP Burnished Gold	BL04 Royal Blue	GR05 Sage Grey	



The measurements shown are for reference only. Products and specifications shown are subject to change without notice.

Rev A