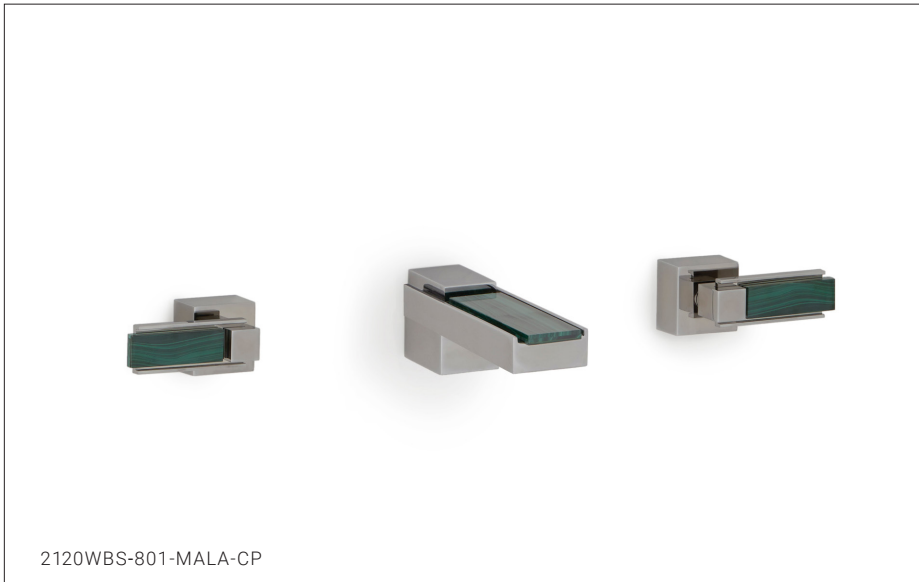


# SHERLE WAGNER INTERNATIONAL

## STONE INSERT APOLLO LEVER WALL MOUNT FAUCET SET 2120WBS-801-XXXX-XX



### PRODUCT FEATURES

- o Available in all Sherle Wagner International finishes
- o Solid brass/bronze construction
- o 1.0 gpm (3.8 L/min) flow rate
- o 8" C/C fixed spread
- o Includes lift & turn non-overflow waste assembly
- o Inwall fixed 8" C/C valves sold separately, contact sales associate for details
- o Refer to stone chart for standard stone insert, contact SWI representative for custom stone options
- o Optional: Strainer waste or Push pop waste assemblies available, contact SWI representative for details

### AVAILABLE METAL FINISHES

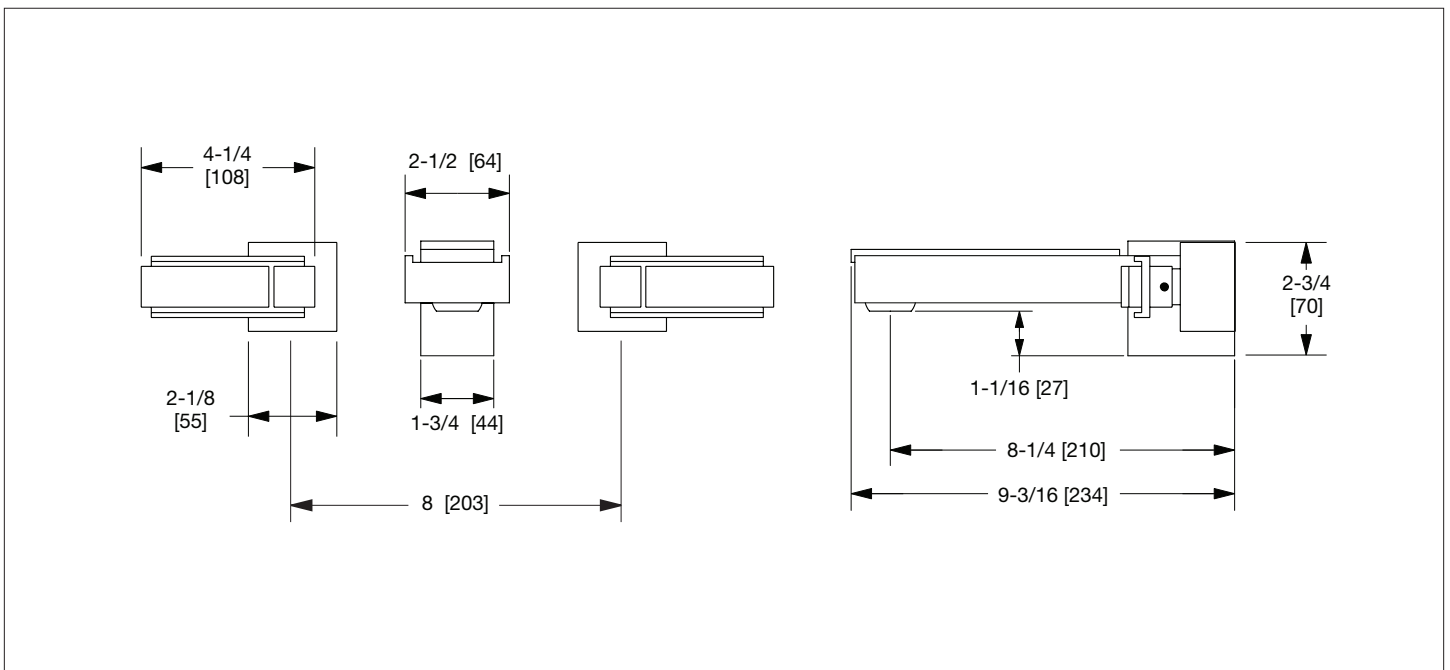
<b>PN</b> Polished Nickel	<b>SB</b> Satin Brass	<b>GP</b> Gold Plate	<b>ES</b> English Silver	<b>BE</b> Black Eclipse	<b>SP</b> Satin Platinum
<b>CP</b> Polished Chrome	<b>OB</b> Oil Rubbed Brass	<b>AL</b> Almond Gold	<b>BS</b> Butler Silver	<b>BG</b> Burnished Gold	<b>HP</b> High Polished Platinum
<b>BN</b> Brushed Nickel	<b>PB</b> Polished Brass	<b>RG</b> Rose Gold	<b>AP</b> Antique Pewter	<b>AG</b> Antique Gold	<b>BP</b> Burnished Platinum
<b>BC</b> Brushed Chrome					

### AVAILABLE ONYX INSERTS

<b>BKOX</b> Black Onyx	<b>WHOX</b> White Onyx	<b>HNOX</b> Honey Onyx	<b>PKOX</b> Pink Onyx	<b>GROX</b> Green Onyx	<b>BROX</b> Brown Onyx
------------------------	------------------------	------------------------	-----------------------	------------------------	------------------------

### AVAILABLE SEMIPRECIOUS INSERTS

<b>RKCR</b> Rock Crystal	<b>AMET</b> Amethyst	<b>BRTI</b> Brown Tiger Eye	<b>MALA</b> Malachite	<b>JASP</b> Jasper	<b>RHOD</b> Rhodochrosite
<b>RSQU</b> Rose Quartz	<b>BKOB</b> Black Obsidian	<b>BLTI</b> Blue Tiger Eye	<b>LAPI</b> Lapis Lazuli		



The measurements shown are for reference only. Products and specifications shown are subject to change without notice.

REV A