

SHERLE WAGNER INTERNATIONAL

ARBOR WITH STONE INSERT COSMOS LEVER FAUCET SET 2108BSN101-XXXX-XX



PRODUCT FEATURES

- o Available in all Sherle Wagner International finishes
- o Solid brass/bronze construction
- o 1.0 gpm (3.8 L/min) flow rate
- o Includes (2) 1/2" washerless 1/4 turn ceramic valves
- o Includes (2) flexible hoses 1/2" FIP x 1/2" FIP x 12" length
- o Includes gaskets and tee fitting
- o Standard push pop-up waste assembly
- o Recommended 12" spread. Can be installed 8"-16"
- o Refer to stone chart for standard stone insert, contact sales associate for custom stone options
- o Optional: Lift & turn, strainer waste assembly

AVAILABLE METAL FINISHES

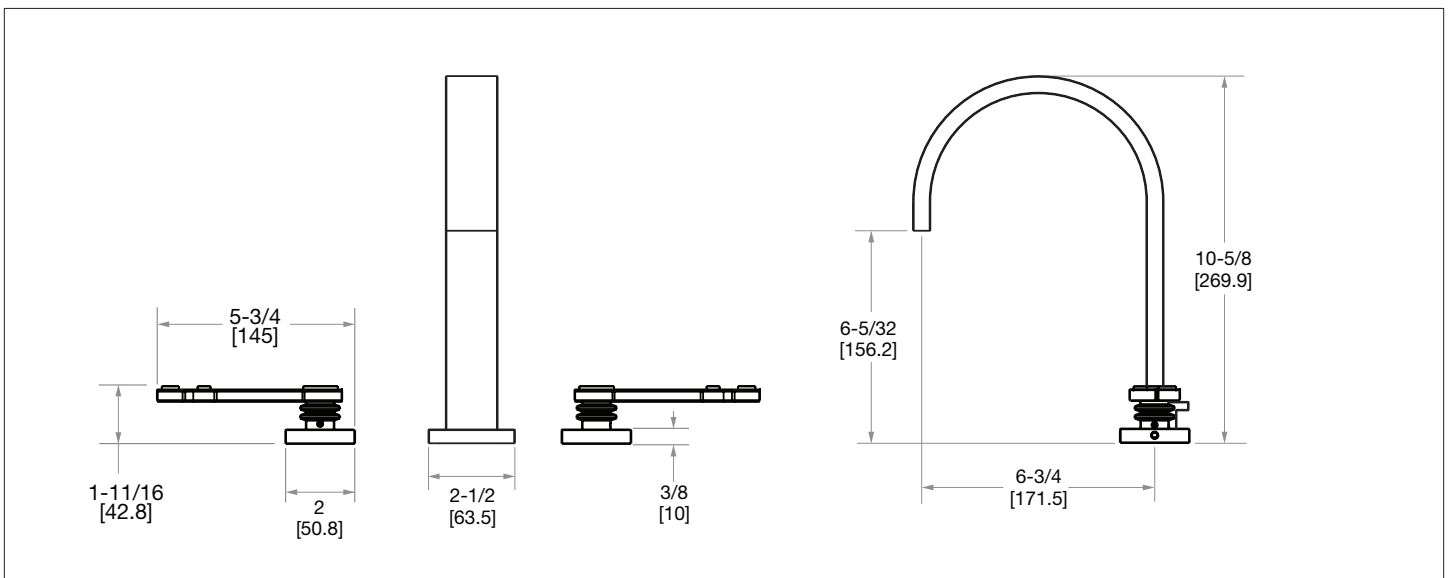
PN Polished Nickel	OB Oil Rubbed Brass	ES English Silver	AG Antique Gold
CP Polished Chrome	PB Polished Brass	BS Butler Silver	SP Satin Platinum
BN Brushed Nickel	GP Gold Plate	AP Antique Pewter	HP High Polished Platinum
BC Brushed Chrome	AL Almond Gold	PE Black Pearl	BP Burnished Platinum
SB Satin Brass	RG Rose Gold	BG Burnished Gold	

AVAILABLE ONYX INSERTS

BROX Brown Onyx	GROX Green Onyx	WHOX White Onyx	HNOX Honey Onyx
PKOX Pink Onyx	BKOX Black Onyx		

AVAILABLE SEMIPRECIOUS INSERTS

RKCR Rock Crystal	RSQU Rose Quartz	AMET Amethyst	BKOB Black Obsidian
BRTI Brown Tiger Eye	BLTI Blue Tiger Eye	MALA Malachite	
JASP Jasper	RHOD Rhodochrosite	LAPI Lapis Lazuli	



The measurements shown are for reference only. Products and specifications shown are subject to change without notice.

Rev A