

# SHERLE WAGNER INTERNATIONAL

## STONE INSERT MOLECULE DOOR KNOB 2105DOR-XXXX-XX



2105DOR-MALA-CP

### PRODUCT FEATURES

- o Available in all Sherle Wagner International finishes
- o Solid brass/bronze construction
- o Includes mounting hardware
- o Inquire for custom spindles applications
- o Requires 7.3 mm spindle
- o Refer to stone chart for standard stone insert, contact sales associate for custom stone options

### AVAILABLE METAL FINISHES

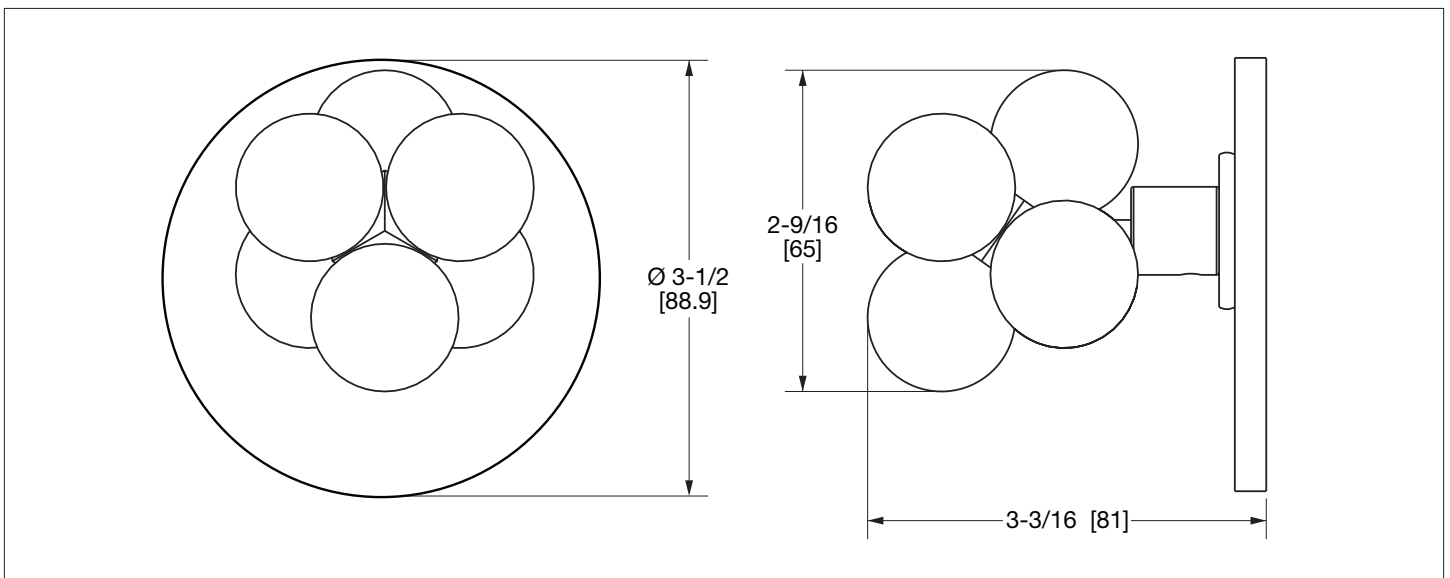
<b>PN</b> Polished Nickel	<b>PB</b> Polished Brass	<b>ES</b> English Silver	<b>AG</b> Antique Gold
<b>CP</b> Polished Chrome	<b>FP</b> Flemish Patina	<b>BS</b> Butler Silver	<b>SP</b> Satin Platinum
<b>BN</b> Brushed Nickel	<b>EP</b> English Patina	<b>RG</b> Rose Gold	<b>HP</b> High Polished Platinum
<b>BC</b> Brushed Chrome	<b>VA</b> Verdi Antique	<b>AP</b> Antique Pewter	<b>BP</b> Burnished Platinum
<b>SB</b> Satin Brass	<b>GP</b> Gold Plate	<b>PE</b> Black Pearl	
<b>OB</b> Oil Rubbed Brass	<b>AL</b> Almond Gold	<b>BG</b> Burnished Gold	

### AVAILABLE ONYX INSERTS

<b>BROX</b> Brown Onyx	<b>CROX</b> Cream Onyx	<b>WHOX</b> White Onyx	<b>HNOX</b> Honey Onyx
<b>PKOX</b> Pink Onyx	<b>BKOX</b> Black Onyx	<b>GROX</b> Green Onyx	

### AVAILABLE SEMIPRECIOUS INSERTS

<b>RKCR</b> Rock Crystal	<b>RSQU</b> Rose Quartz	<b>AMET</b> Amethyst	<b>BKOB</b> Black Obsidian
<b>BRTI</b> Brown Tiger Eye	<b>BLTI</b> Blue Tiger Eye	<b>MALA</b> Malachite	
<b>JASP</b> Jasper	<b>RHOD</b> Rhodochrosite	<b>LAPI</b> Lapis Lazuli	



The measurements shown are for reference only. Products and specifications shown are subject to change without notice.

Rev A