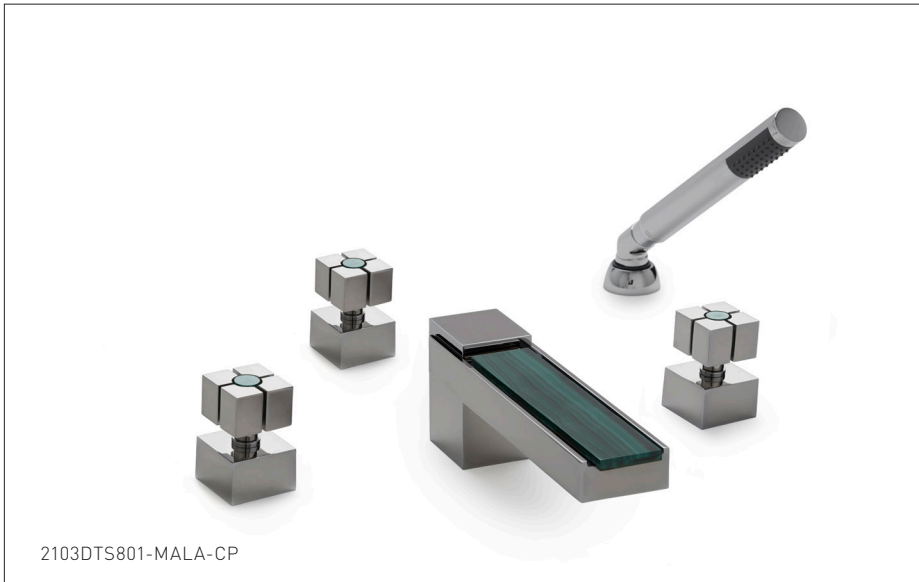


SHERLE WAGNER INTERNATIONAL

APOLLO WITH STONE INSERT QUAD KNOB DECK MOUNT TUB SHOWER SET 2103DTS801-XXXX-XX



2103DTS801-MALA-CP

PRODUCT FEATURES

- o Available in all Sherle Wagner International finishes
- o Solid brass/bronze construction
- o Full flow
- o Includes (2) 1/2" washerless 1/4 turn ceramic valves
- o Includes (3) 72" braided hose 1/2" FNPT to 3/4" FNPT for diverter
- o Includes deckmount handshower
- o 1.8 gpm (6.8 L/min) handshower flowrate
- o Includes (1) 72" spiral handshower hose with vacuum break
- o Leader hose not included
- o Refer to stone chart for standard stone insert, contact sales associate for custom stone options
- o Optional: (2) 3/4" valves for increased flow, contact sales associate for details

AVAILABLE METAL FINISHES

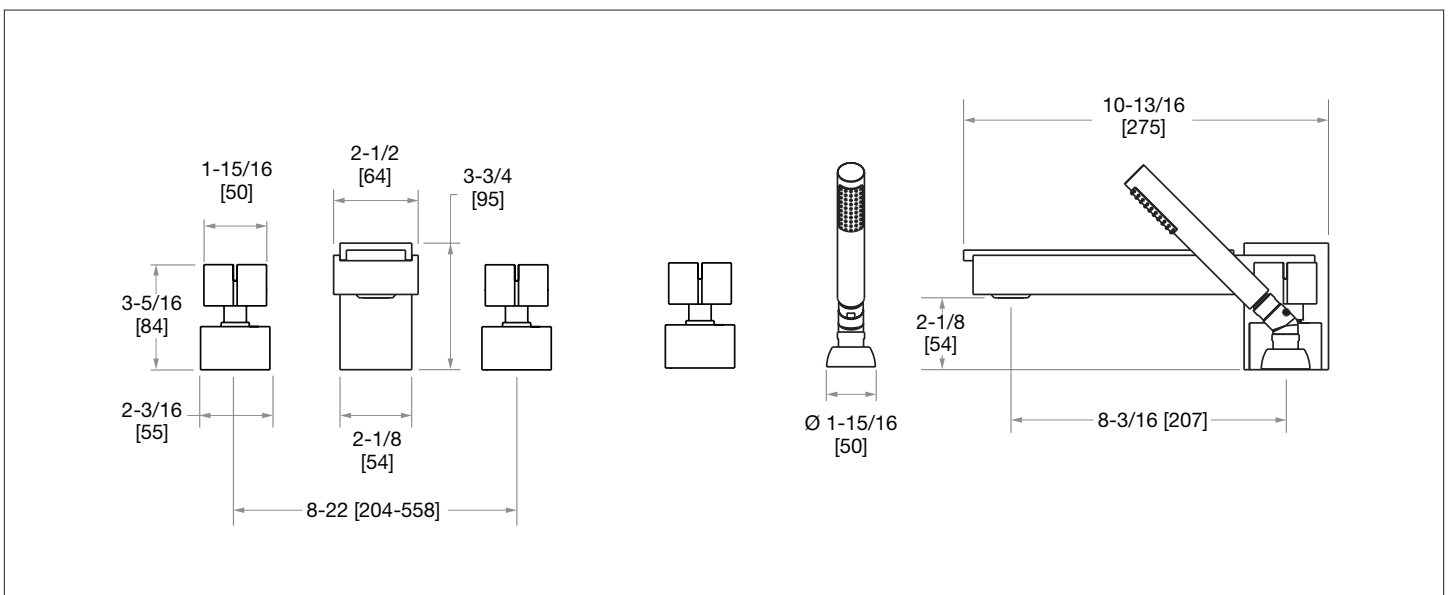
PN Polished Nickel	OB Oil Rubbed Brass	ES English Silver	AG Antique Gold
CP Polished Chrome	PB Polished Brass	BS Butler Silver	SP Satin Platinum
BN Brushed Nickel	GP Gold Plate	AP Antique Pewter	HP High Polished Platinum
BC Brushed Chrome	AL Almond Gold	PE Black Pearl	BP Burnished Platinum
SB Satin Brass	RG Rose Gold	BG Burnished Gold	

AVAILABLE ONYX INSERTS

BROX Brown Onyx	GROX Green Onyx	WHOX White Onyx	HNOX Honey Onyx
PKOX Pink Onyx	BKOX Black Onyx		

AVAILABLE SEMIPRECIOUS INSERTS

RKCR Rock Crystal	RSQU Rose Quartz	AMET Amethyst	BKOB Black Obsidian
BRTI Brown Tiger Eye	BLTI Blue Tiger Eye	MALA Malachite	
JASP Jasper	RHOD Rhodochrosite	LAPI Lapis Lazuli	



The measurements shown are for reference only. Products and specifications shown are subject to change without notice.

Rev A